

# Shed & Storage Series

## Shed-in-a-Box® 8' x 8' - Gray



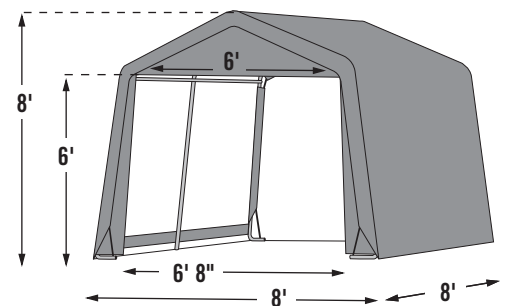
### 8' x 8' x 8' Shed-in-a-Box®. 3-Rib Design. Instant Storage Shed.

- Constructed with high grade steel. Every frame tube and connector goes through a proprietary 13 step Rhino Shield surface preparation process.
- 1-3/8" all steel frame with compact 3-rib design, bonded with Dupont™ thermoset baked on powder-coated finish prevents chipping, peeling, rust and corrosion.
- **Patent Pending ShelterLock™** stabilizers ensure rock solid stability. Delivers a stable, more durable shelter.
- Advanced engineered, triple-layer, chemically heat bonded enhanced weave, rip-stop, waterproof, polyethylene cover. UV-treated inside and out with added fade blockers, anti-aging, anti-fungal agents resulting in a fabric cover that withstands the elements.
- High profile white interior creates enhanced illumination.
- Swedged tubing for quick, slip-together easy assembly.
- Rugged Ratchet Tite™ Tensioning System provides simple installation keeps cover tight to frame.



**Great For:** Motorcycles, ATVs, Lawn/Garden, Tractors, Snowmobiles, Bulk Storage

- One full color graphic retail package.



**ShelterLogic®**

We've Got You Covered.™  
North America's #1 Shelter Manufacturer.

**Model #70423**

### Package Includes:

- (1) 8' x 8' x 8' 1-3/8" All steel frame
- (1) Gray fitted cover
- (1) Double zippered front door
- (1) Solid rear door panel
- (6) ShelterLock™ Stabilizing Blocks
- (4) 15" Auger anchors
- Steel foot plates
- Easy step-by-step instructions

### Packaging Specifications:

- Pallet Qty: 12
- Container qty: 484
- Total box weight: 74.67 lbs.
- Box dimensions: 50.79 x 20.28 x 7.28 in.

