

Metal Garage

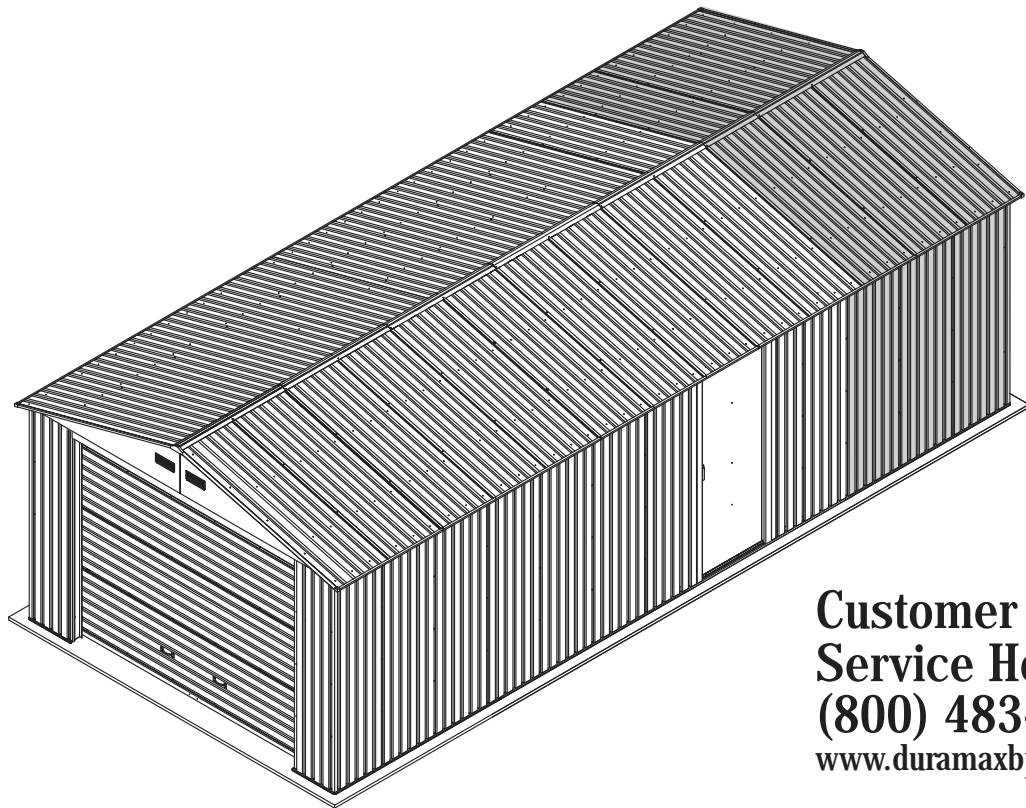
OWNER'S MANUAL /

Instructions for Assembly

Size 12 Ft x 20 Ft / 3.7 Mtr. x 6.1 Mtr. with

12 Ft x 6 Ft / 3.7 Mtr. x 1.8 Mtr. (Approx.) "Extension Kits"

Ver: 3.0



**Customer
Service Hotline
(800) 483-4674
www.duramaxbp.com**

- Tall Walk in Garages
- Quick and Easy Assembly
- Ridge Reinforced Walls
- Wide Single Front Shutter Door

PART 1

ASSEMBLING SHED WITH EXTENSION KIT

PART 2

ADDING EXTENSION KIT TO EXISTING SHED

Call us for any missing or damaged parts.
Do not return to the store.

Building Dimensions :									
Approximate Size	Storage		Exterior Dimension				Interior Dimension		
	Area	Volume	Base Dimension		Roof Edge to Edge		Wall to Wall		
			inch	cm.	inch	cm.	inch	cm.	
12 Ft x 6 Ft	62 7/8 Sq. Ft.	438 1/8 Cu.Ft.	Width	138 1/8	350	145	368.2	127 1/2	324
3.7 Mtr. x 1.8 Mtr.	5.8 Sq.Mtr.	12.4 Cu.Mtr.	Depth	71	180	71	180.2	71	180
			Height			102	259	83 5/8	212.5

Note - Basic shed dimensions are available in basic shed manual.

Duramax Garages Limited Ten Year Warranty

U.S. Polymer Inc. will send a replacement part free of charge, in the event of material defects and or workmanship for a period of ten years from the date of purchase.

This warranty is extended only to the original purchaser. A purchase receipt or other proof of date of original purchase will be required before warranty service is rendered. In no event shall we pay the cost of flooring, labor, installation or any other costs related thereto.

This warranty only covers failures due to defects in material or workmanship which occurs during normal use and does not extend to color change arising due to normal weathering or to damage resulting from misuse or neglect, commercial use, failure to follow assembly instructions and the owner's manual (including proper anchoring of the shed), painting, forces of nature and other causes which is beyond our control.

Claims under this warranty must be made within the warranty period by calling 1-800-483-4674 or mail in a dated sales slip and clear photograph of the part to:

U.S. Polymers, Inc.
1057 S.Vail Ave Montebello,
CA 90640

We reserve the right to discontinue or change components. If a component has been discontinued or is not available,
U.S. Polymers, Inc. reserves the right to substitute a component of equal quality as may be compatible.

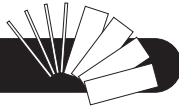
Limits and Exclusions

There are no express warranties except as listed above. The warrantor shall not be liable for incidental or consequential damages resulting from the use of this product, or arising out of any breach of this warranty. All express warranties are limited to the warranty period set forth above. Some states do not allow the exclusion or limitation on how long an implied warranty lasts, so the above limitations may not apply to you.

This warranty gives you specific legal rights and you may also have other rights which vary from state to state or country to country.

IMPORTANT: USE HAND GLOVES TO PREVENT INJURY.

Parts List



Note: Check all parts prior to installation.

ITEM	CODE	QTY.	ITEM	CODE	QTY.
1	BC01	4	63	CS13	2
2	BC02	2	64	CS14	2
3	BC03	1	65	DF01	1
4	BC04	1	66	DF02	1
5	BC05	2	67	DF03	1
6	FS01	4	68	SD03	1
7	FS02	4	69	BS01	2
8	FS03	12	70	BS05	2
9	FS04	4	71	BS06	2
10	FS05	4	72	BS07	2
11	FS06	4	73	DP01	1
12	FS07	8	74	GP01	2
13	FS08	4	75	GP02	2
14	FS09	2	76	BS12	1
15	FS10	2	77	BS13	1
16	FS11	6	78	BS14	4
17	CS01	2	79	BS15	2
18	CS02	2	80	BS16	2
19	CS03	2	81	WP01	17
20	CS04	4	82	WP02	2
21	CS05	1	83	WP03	1
22	CS08	1	84	WP04	1
23	CS10	2	85	WP05	3
24	CS11	1	86	WP06	1
25	CS12	1	87	WP07	1
26	RS01	11	88	WP08	1
27	RS02	1	89	RP01	2
28	RS03	4	90	RP02	12
29	RS04	4	91	RP03	2
30	RS05	4	92	RP04	2
31	WS01	2	93	RP05	2
32	WS02	2	94	SP01	2
33	WS03	4	95	SP02	1
34	WS04	2	96	SP03	1
35	WS05	3	97	CP01	4
36	WS06	1	98	CP02	4
37	WS07	1	99	CP03	2
38	WS08	2	100	BS17	1
39	WS09	2			
40	DF04	1			
41	DF05	1			
42	DF06	1			
43	DF07	1			
44	DS01	1			
45	DS02	1			
46	DS03	4			
47	SD01	1			
48	SD02	1			
49	SD04	1			
50	SD05	1			
51	SD06	3			
52	RF01	4			
53	RF02	4			
54	RF03	4			
55	RF04	3			
56	RF05	1			
57	RF06	1			
58	BS02	16			
59	BS08	8			
60	CS06	2			
61	CS07	2			
62	CS09	4			

Tools You Will Need

- | | |
|-------------------------------|-------------------|
| Hand Gloves | 8' Step Ladder |
| Cordless Drill - Philips Head | Adjustable pliers |
| Screw driver - Philips Head | Level - 3ft. |
| Carpenter's Square | Tape Measure |
| Eye Protector | |
| Plumb Line | |

Note - Use screwdriver to separate out Nested profiles

IMPORTANT: USE HAND GLOVES TO PREVENT INJURY.

ACCESSORIES

ITEM	CODE	QTY.
1	BS	3
2	DH	3
3	TC	4
4	TS	2
5	FC	2
6	VC	4
7	PW	7 Slabs
8	PC	7 Slabs
9	WST	8 Mtr
10	S1	677
11	S2	369
12	S3	272
13	S8	27
14	S9	30
15	S14	32
16	STC	5.1Mtr
17	CU	2
18	DCBFP	2
19	FDH	2
20	GW	3
21	CW	5.0kg
22	DF08	1
23	DF09	1
24	DF10	1
25	BS18	1
26	F1	27
27	WBA	10
28	EDP1 (4.28 mtr.)	2
29	EDP2 (2.04 mtr.)	2
30	EDP3 (2.14 mtr.)	2

PROFILES

1-5 	6-13 17-25 	26-27 	14,15,58,59
BC01-BC05	FS01-FS08 CS01-CS05 CS8,CS10-CS12	RS01, RS02	FS09, FS10 BS02, BS08
16,28,29,30 	31,32 	33,34 	35-39 51
FS11 RS03-RS05	WS01, WS02	WS03-WS04	WS05-WS09 SD06
40,41 	42,43 	44,45 	46
DF04, DF05	DF06, DF07	DS01-DS02	DS03
47,48 	49 	50 	52,53,54
SD01-SD02	SD04	SD05	RF01- RF03
55,56,57 	60,61 	62 	65
RF04 - RF06	CS06, CS07	CS09	DF01

ACCESSORIES

1 	2 	3 	4 	5
(BS)	(DH)	(TC)	(TS)	(FC)
6 	7 	8 	9 	10,11
(VC)	(PW)	(PC)	(WST)	(S1,S2)
12,13 	14 	15 	16 	17
(S3,S9)	(S8)	(S14)	(STC)	(CU)
18 	19 	20 	21 	22
(DCBFP)	(FDH)	(GW)	(CW)	(DF08)
23 	24 	25 	26 	27
(DF09)	(DF10)	(BS18)	(F1)	(WBA)
28,29,30 				
(EDP1, EDP2, EDP3)				

66,67 	68 	69 	70
DF02, DF03	SD03	BS01	BS05
63,64 71,72 	76,77 	78 	79
BS06-BS07 CS13-CS14	BS12, BS13	BS14	BS15
80 	97 	98 	99
BS16	CP01	CP02	CP03

Note - Use screws with plastic washers on top of pre-painted surface only.

IMPORTANT: USE HAND GLOVES TO PREVENT INJURY.

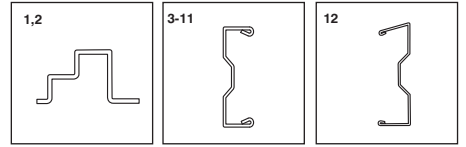
One Extension Parts List



Note: Check all parts prior to installation.

ITEM	CODE	QTY.
1	EBC01	1
2	EBC02	1
3	CS01	2
4	CS02	2
5	CS03	2
6	CS04	4
7	CS05	1
8	CS08	1
9	CS10	2
10	CS11	1
11	CS12	1
12	ERS01	6
13	RS03	1
14	RS05	2
15	EWS01	1
16	EWS02	1
17	EWS03	1
18	EWS04	1
19	RF02	2
20	RF04	1
21	ERF04	1
22	BS02	8
23	CS06	2
24	CS07	2
25	CS09	4
26	CS13	2
27	CS14	2
28	WP01	6
29	RP02	3
30	RP06	3
31	CP03	2

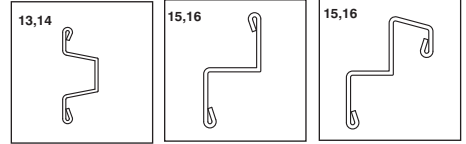
PROFILES



EBC01, EBC02

ERS01

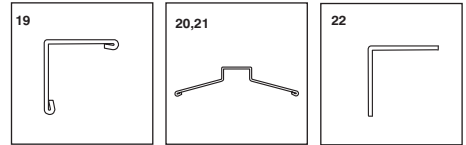
CS01-CS05
CS8, CS10-CS12



RS03, RS05

EWS01, EWS02

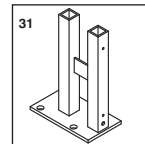
EWS03, EWS04



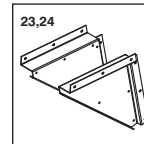
RF02

RF04, ERF04

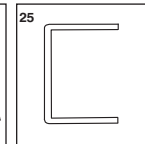
BS02



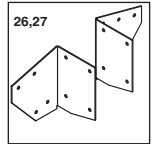
CP03



CS06, CS07

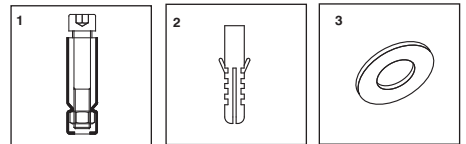


CS09



CS13, CS14

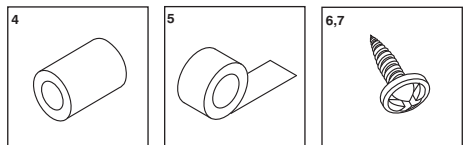
ACCESSORIES



(S14)

(F1)

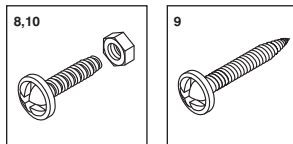
(PW)



(PC)

(WST)

(S1, S2)



(S3, S9)

(S8)

ACCESSORIES

ITEM	CODE	QTY
1	S14	8
2	F1	6
3	PW	2 Slabs
4	PC	1 Slab
5	WST	2.5 Meter
6	S1	169
7	S2	128
8	S3	72
9	S8	6
10	S9	6

Note - Use screws with plastic washers on top of pre-painted surface only.

IMPORTANT: USE HAND GLOVES TO PREVENT INJURY.

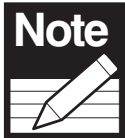
PART 1 : Assembling Shed with Extension Kit

A. Foundation, Column Stands & Base Channel

Note: It is important that these instructions are followed step by step.

Concrete Platform

The shed must be constructed on a solid base foundation. A concrete pad or a large size concrete patio stone squares is recommended for suitable floor base. Make sure it is firm and level and will allow drainage away from the site. The base foundation should be at least 4 inches(100mm)larger than the shed dimensions. Please refer to the front page of your owner's manual for the exterior dimensions of the shed. **Manufacturer is not responsible for the choice and construction of the foundation**



Note For a concrete pad base, prepare a level bed for a firm footing layer of crushed stone. The concrete pad should then be poured to a thickness of 4 inches (100mm) to 5 inches (125mm). Allow to dry thoroughly for at least 48 hours

Step - 1

Anchor Bolt Holes for Column Support



TIP Use 12mm(1/2 Inch) Concrete drill bit.

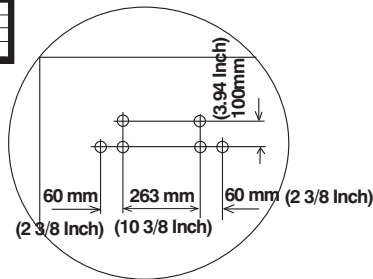


Fig.1

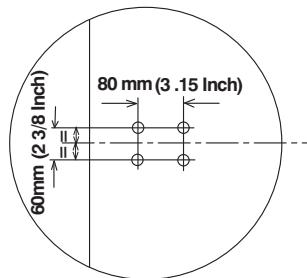


Fig.2

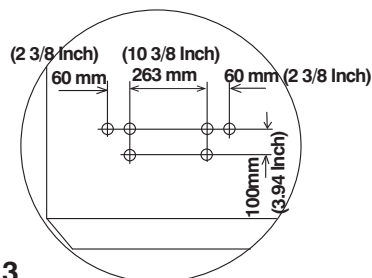


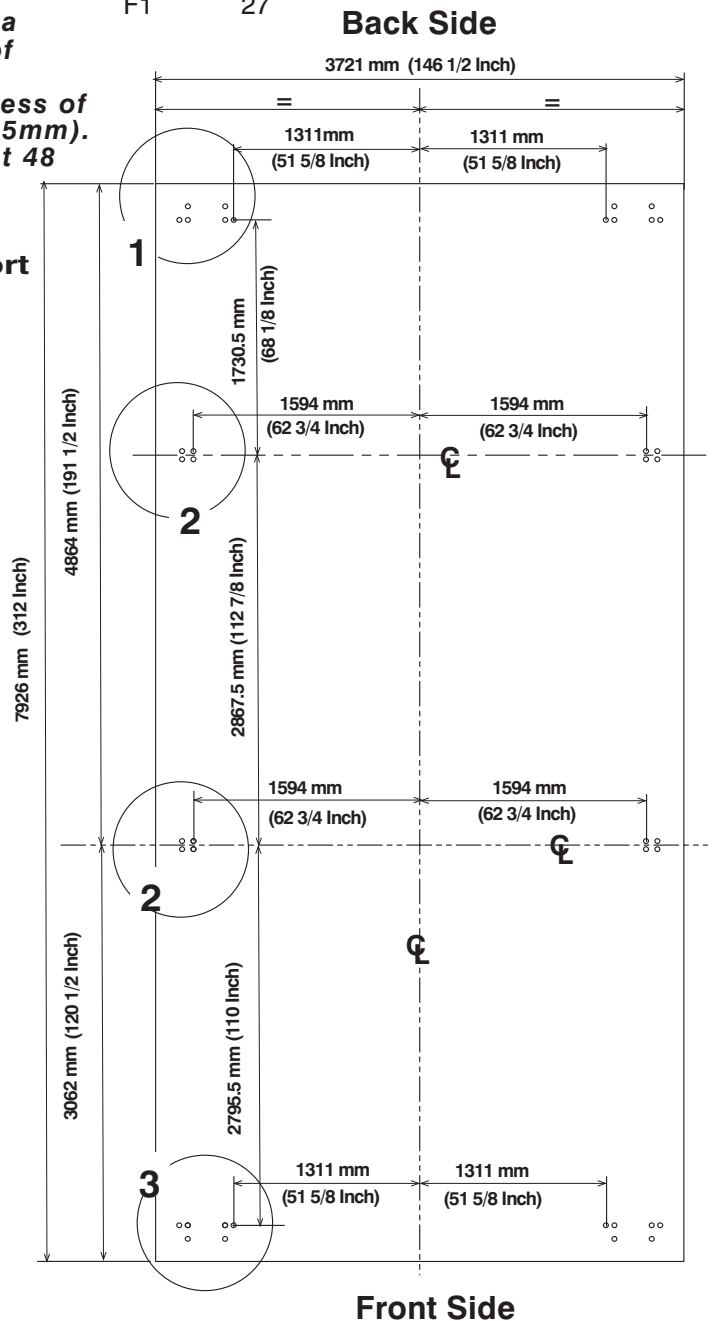
Fig.3

Parts Needed:

Code	Qty
BC01	4
BC02	2
BC03	1
BC04	1
BC05	2
CP01	4
CP02	4
CP03	2
S1	28
S8	27
S14	32
F1	27

Parts Needed for each extension:

Code	Qty
EBC01	1
EBC02	1
CP03	2
S1	8
S8	6
S14	8
F1	6



Front Side

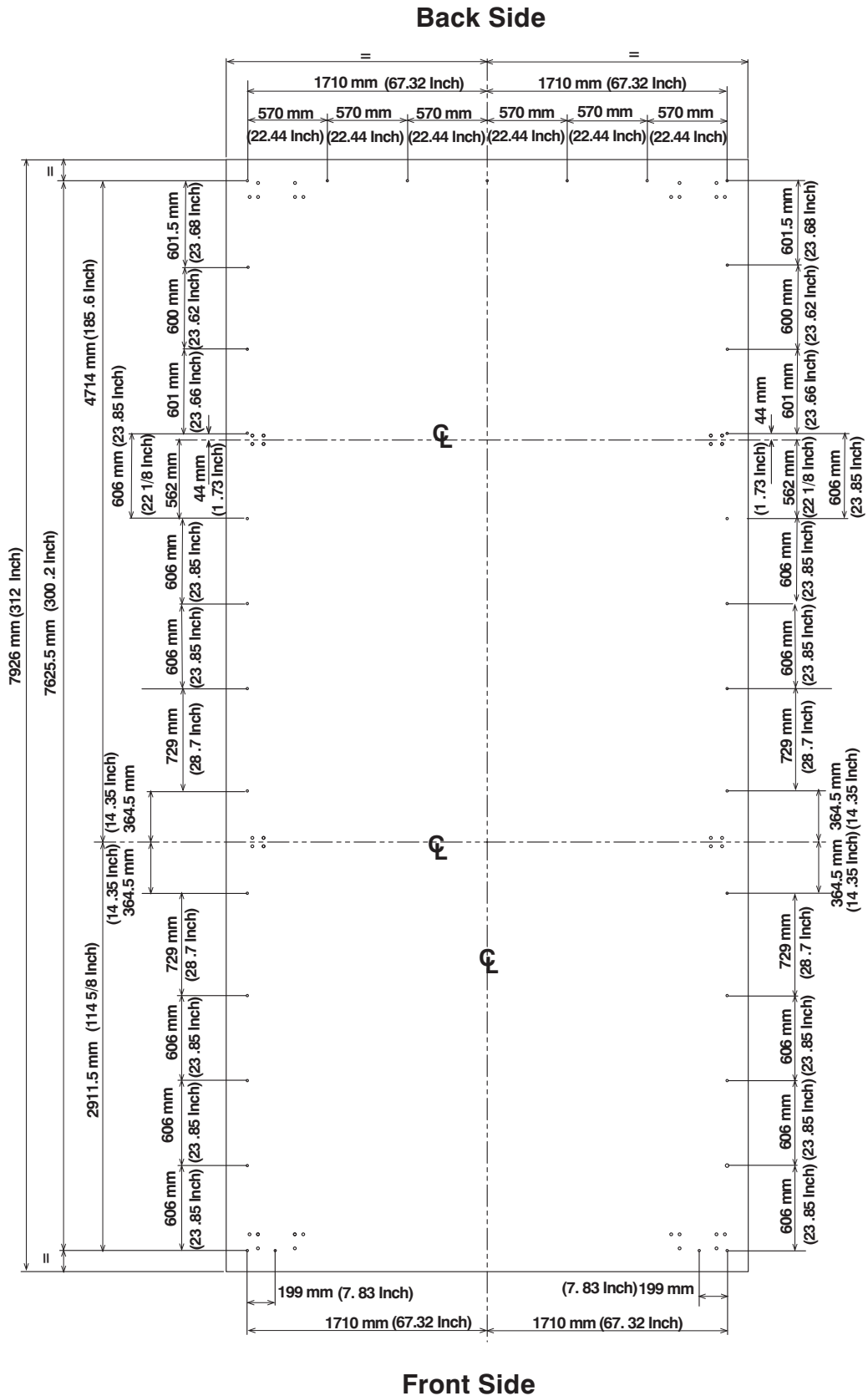
IMPORTANT: USE HAND GLOVES TO PREVENT INJURY.

Step - 2

PVC Wall Plug Holes for Base Channel



Use 6 mm (1/4 Inch) Concrete drill bit.



Hole Dimensions of Garage with Two Extension

1. Anchor Bolt Holes for Column Support

Details see Page 1 & 2.

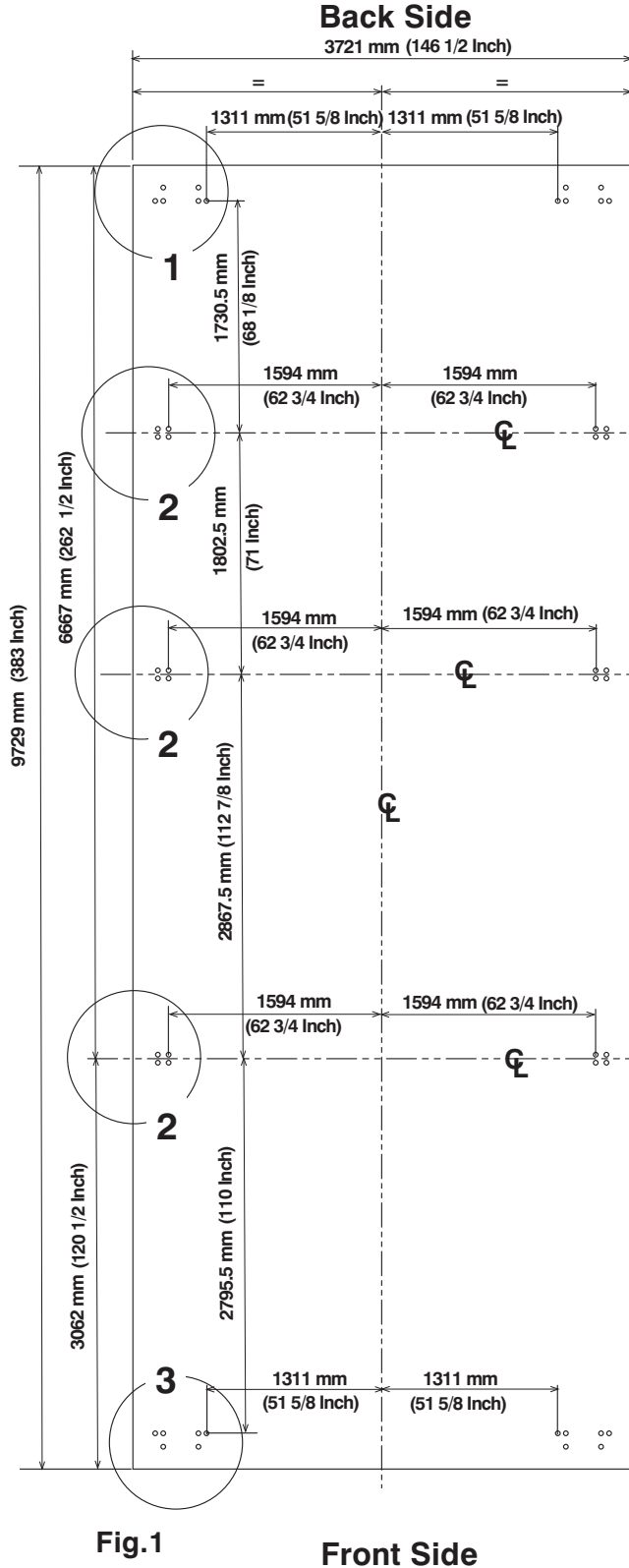


Fig.1

2. PVC Wall Plug Holes for Base Channel

Details see Page 1 & 2.

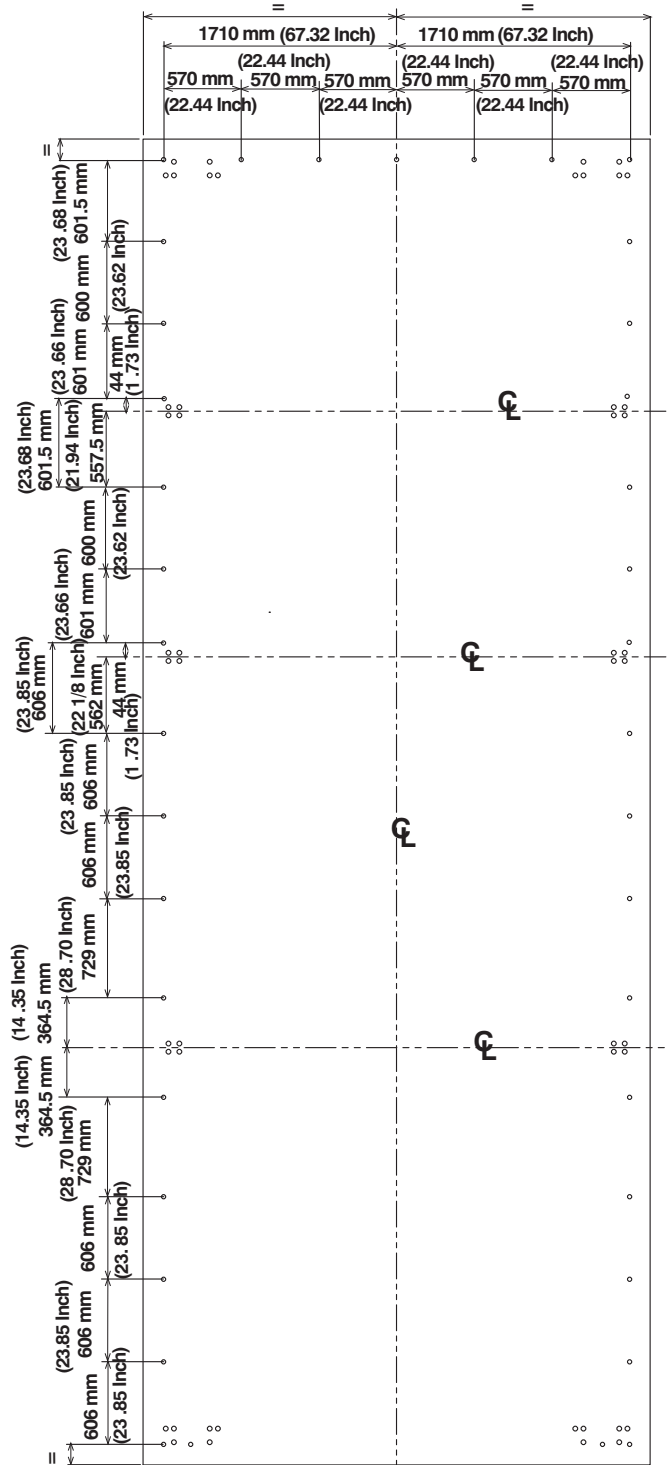
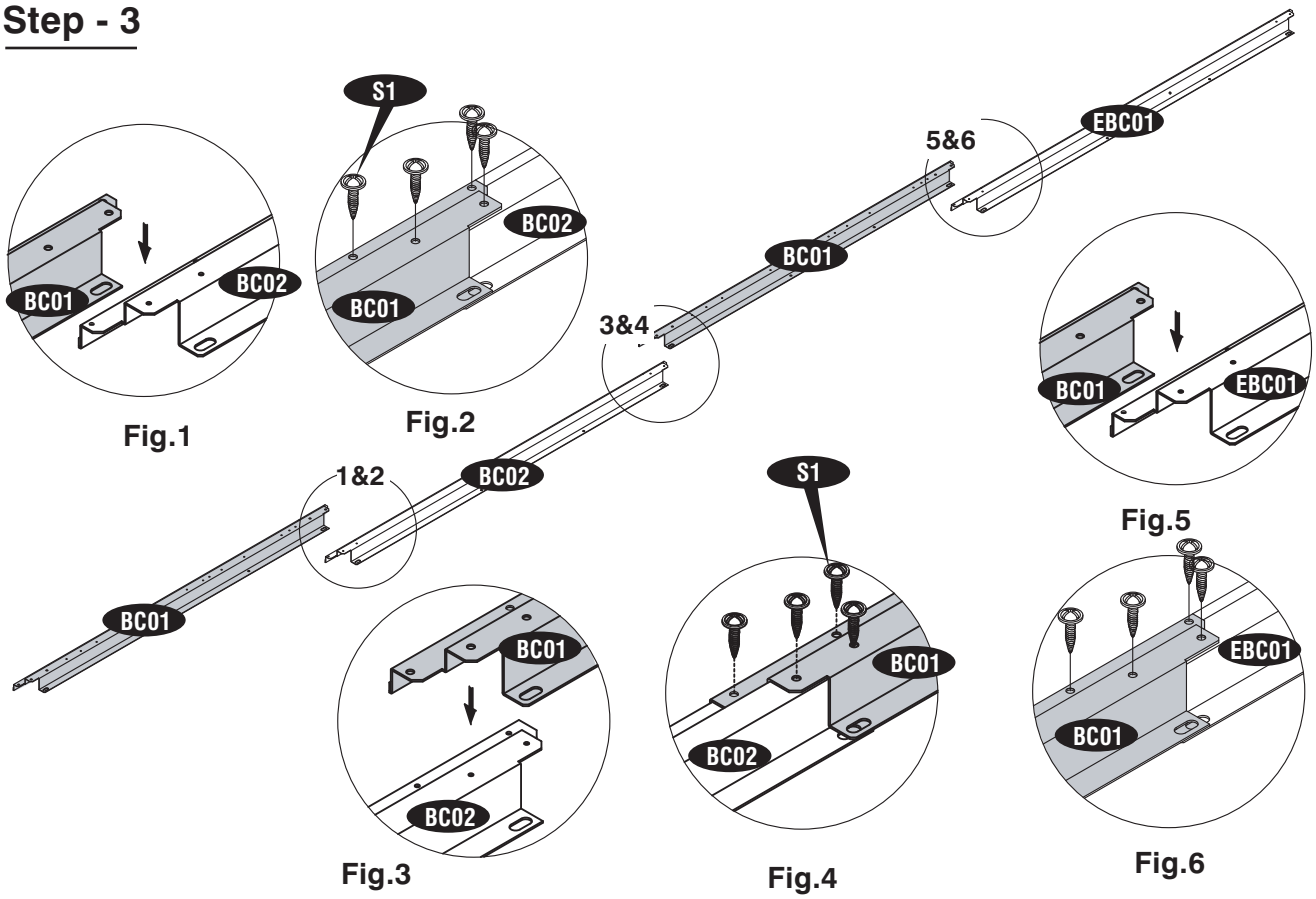
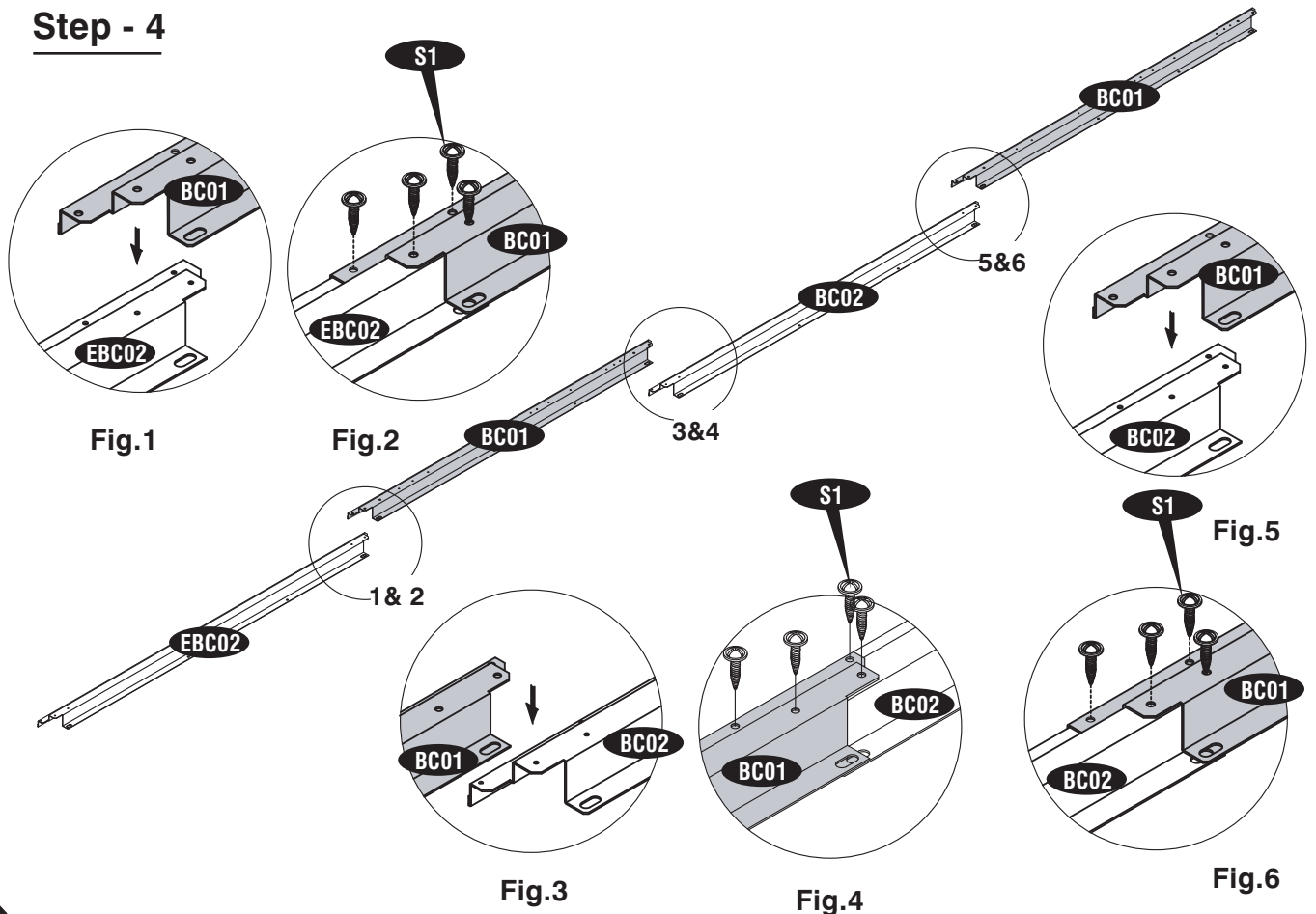


Fig.2

Step - 3

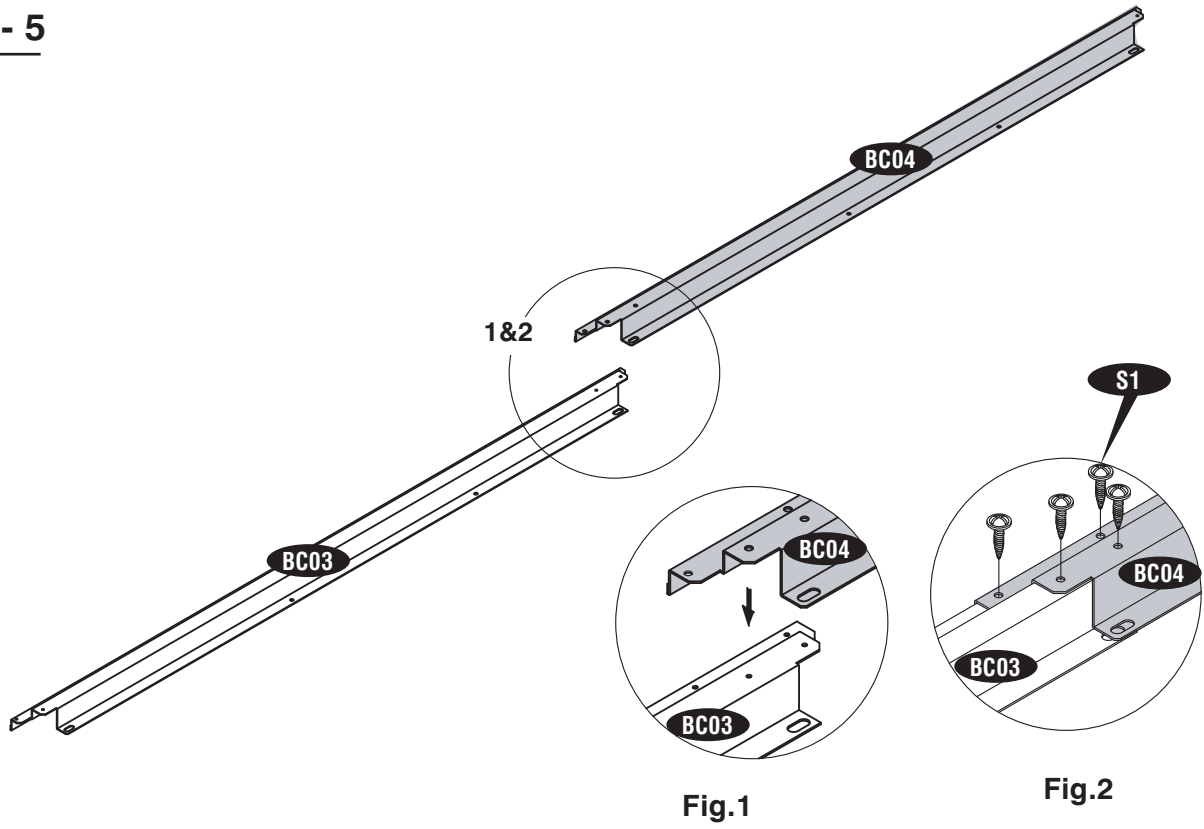


Step - 4

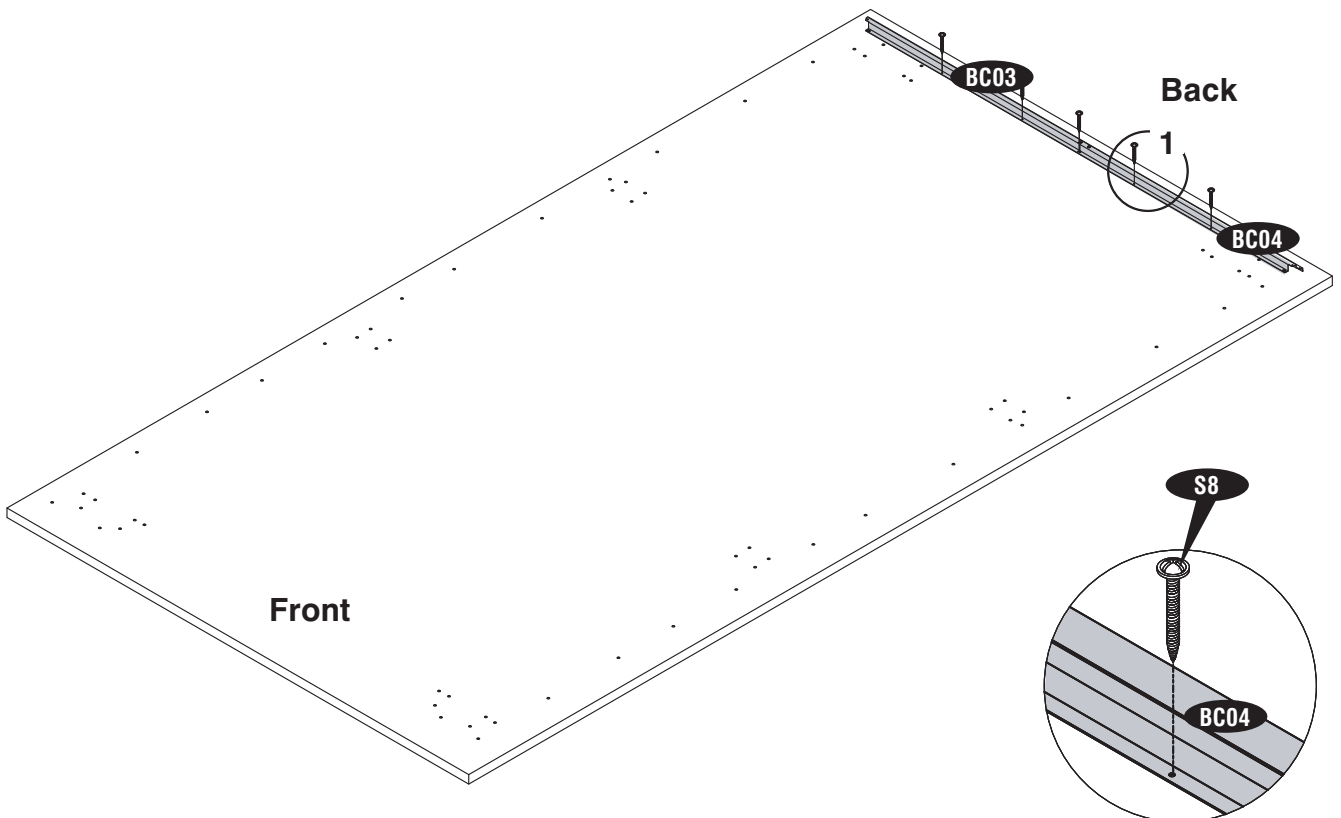


IMPORTANT: USE HAND GLOVES TO PREVENT INJURY.

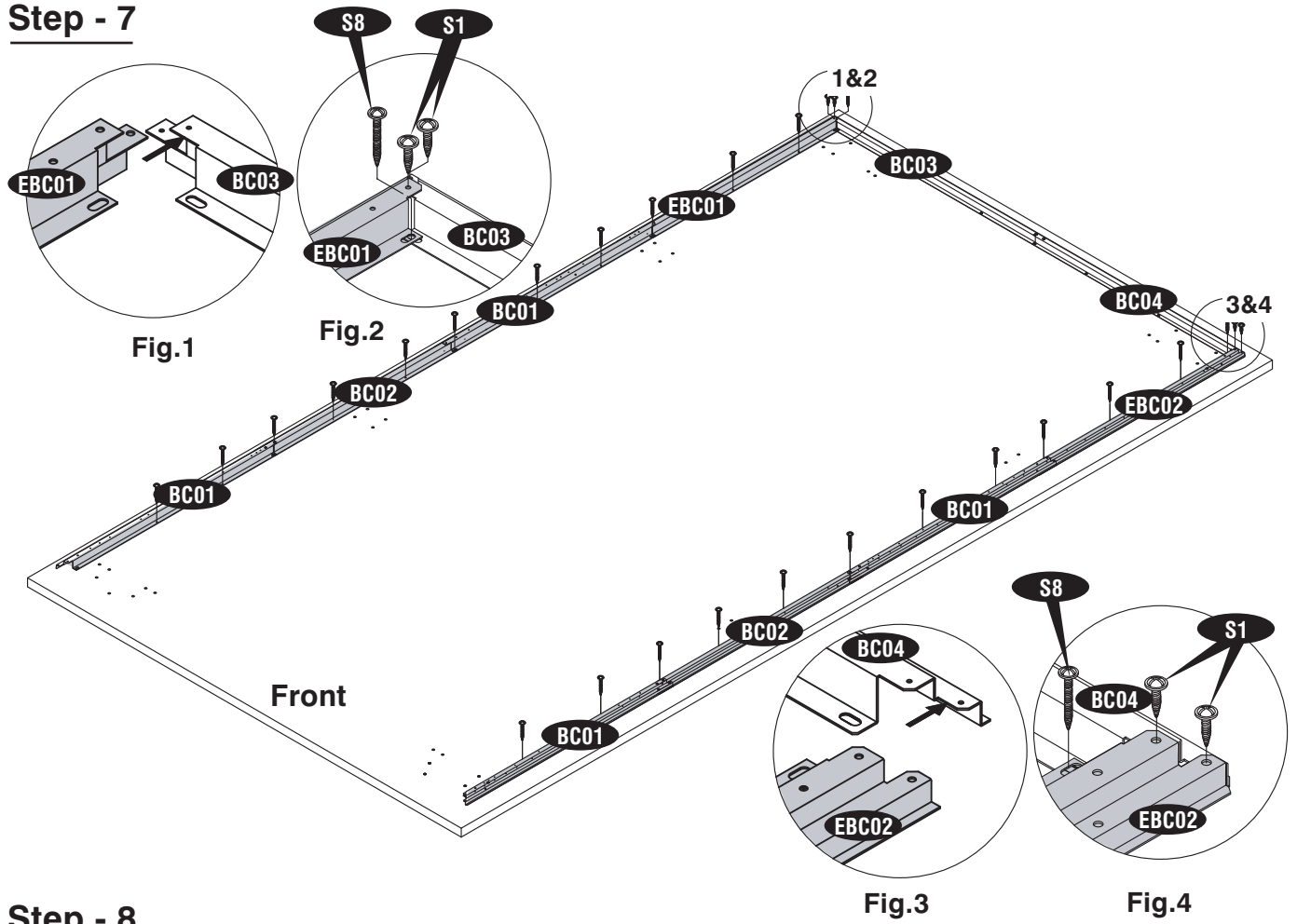
Step - 5



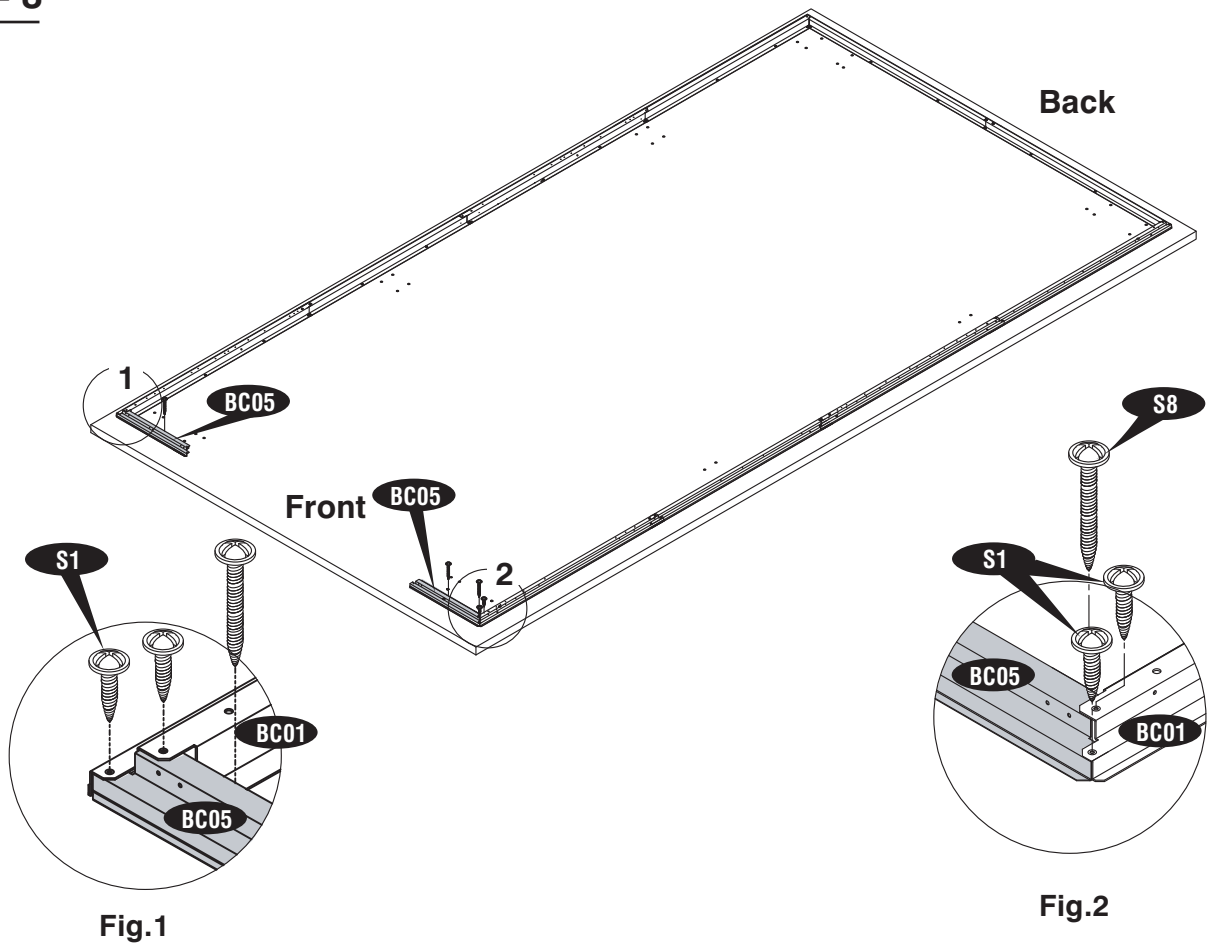
Step - 6



Step - 7

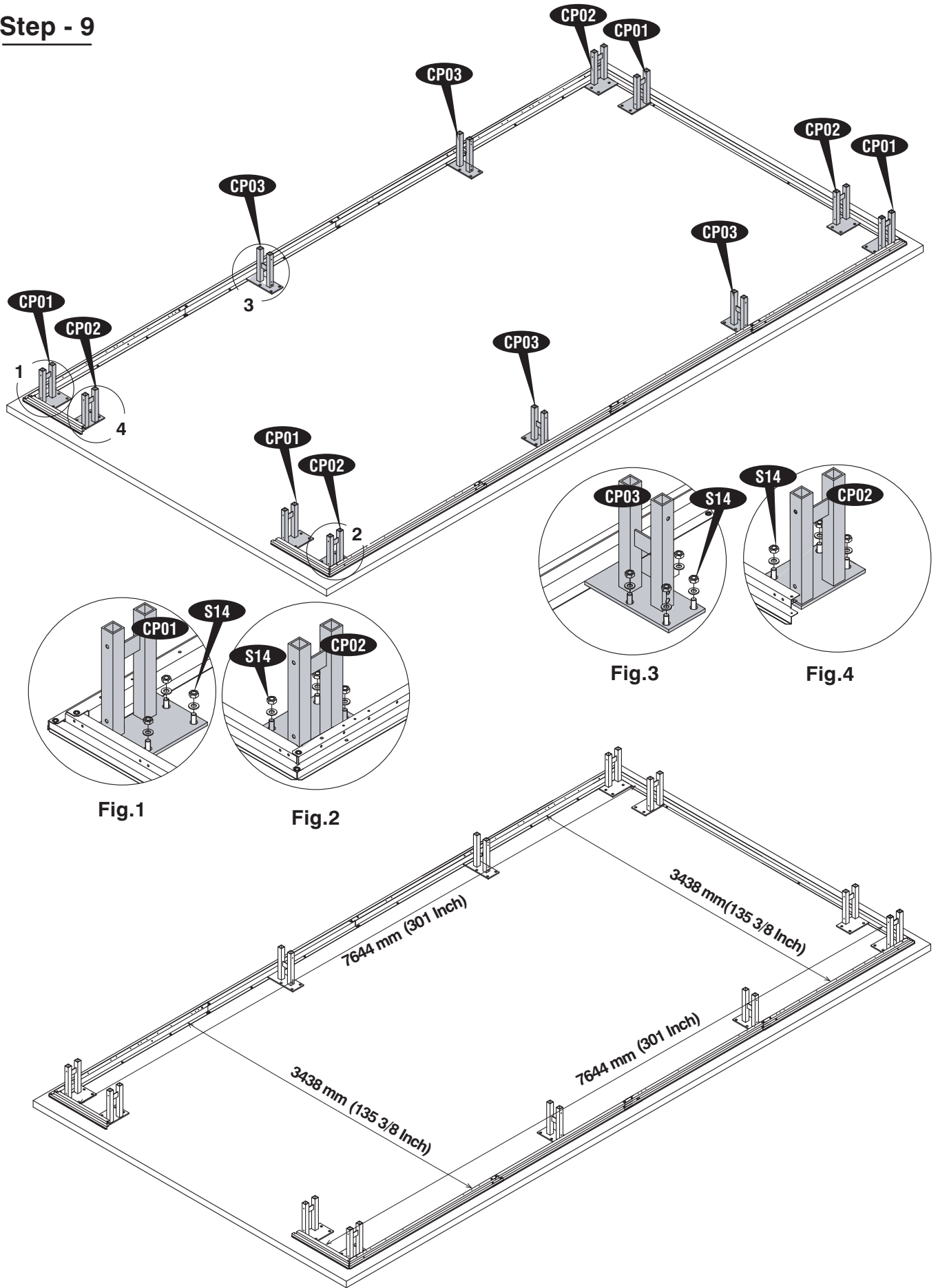


Step - 8



IMPORTANT: USE HAND GLOVES TO PREVENT INJURY.

Step - 9

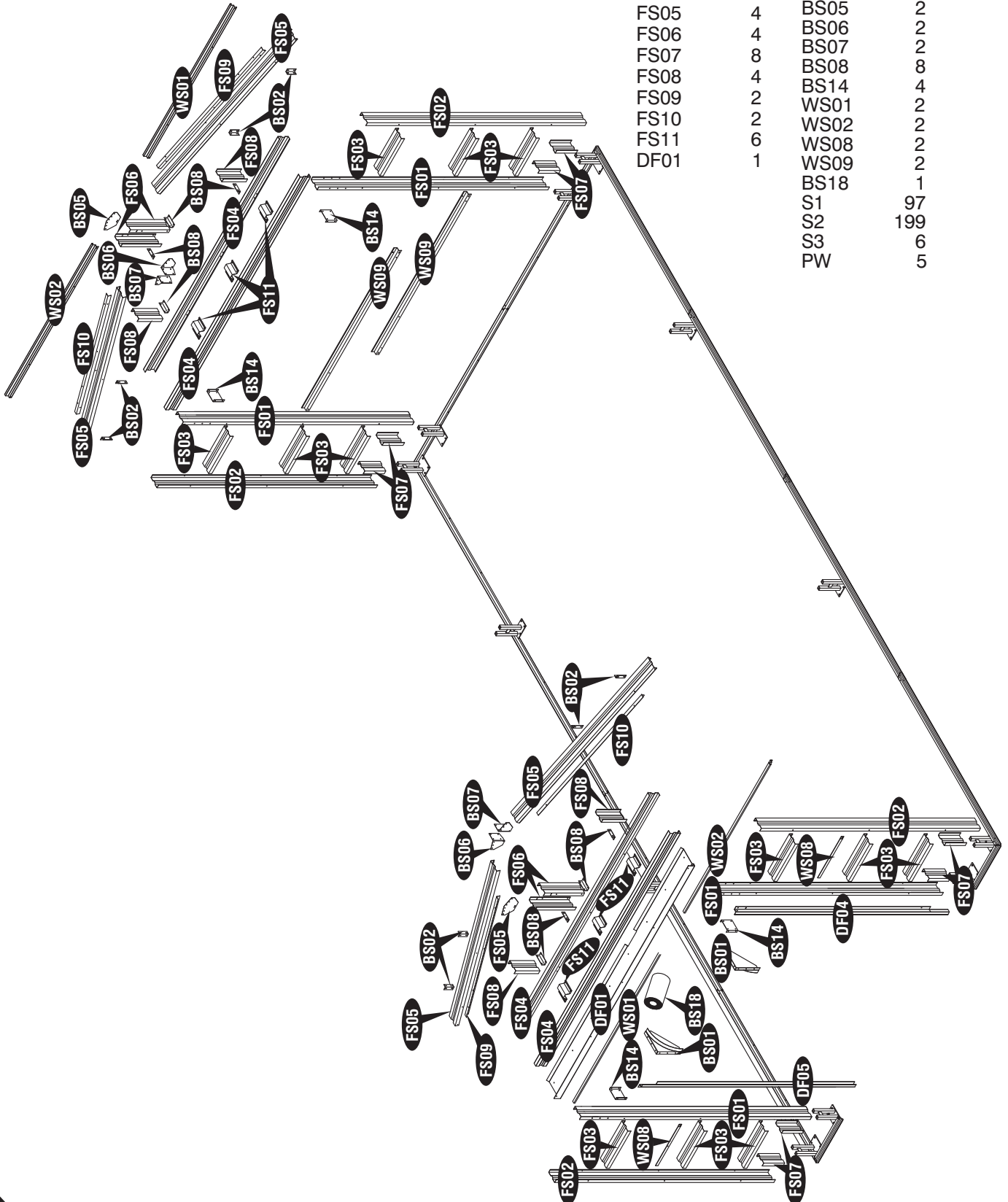


IMPORTANT: USE HAND GLOVES TO PREVENT INJURY.

B. Front & Back Structure Assembly

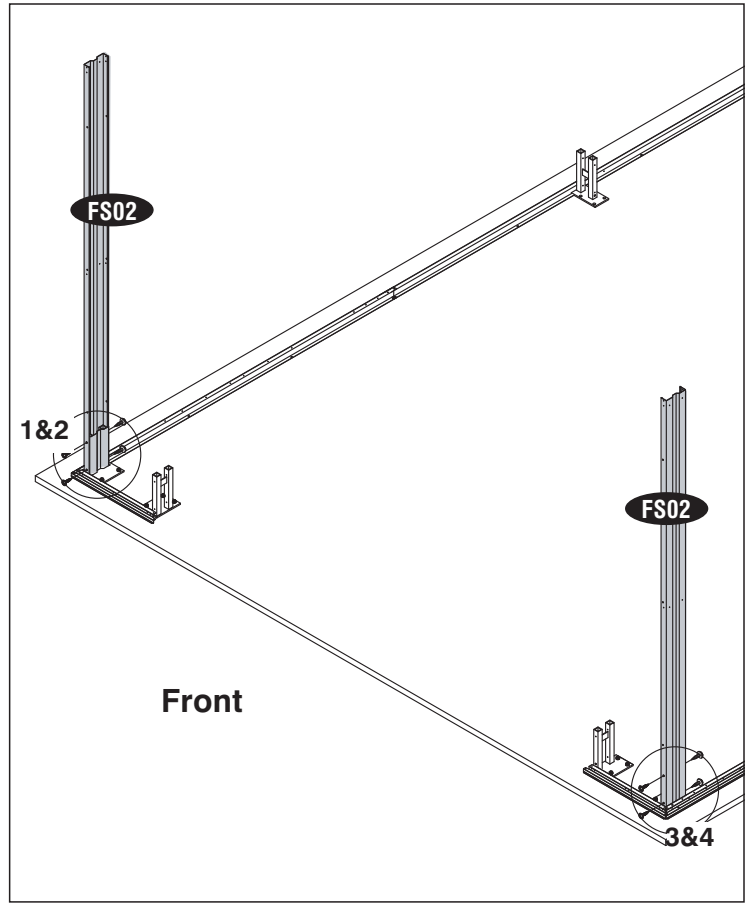
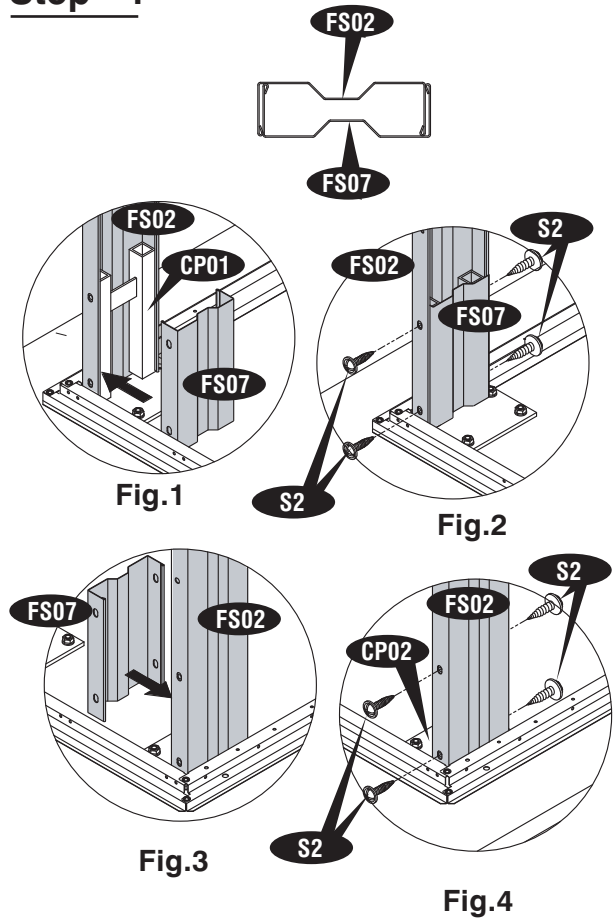
Parts Needed:

Code	Qty	Code	Qty
FS01	4	DF04	1
FS02	4	DF05	1
FS03	12	BS01	2
FS04	4	BS02	8
FS05	4	BS05	2
FS06	4	BS06	2
FS07	8	BS07	2
FS08	4	BS08	8
FS09	2	BS14	4
FS10	2	WS01	2
FS11	6	WS02	2
DF01	1	WS08	2
		WS09	2
		BS18	1
		S1	97
		S2	199
		S3	6
		PW	5

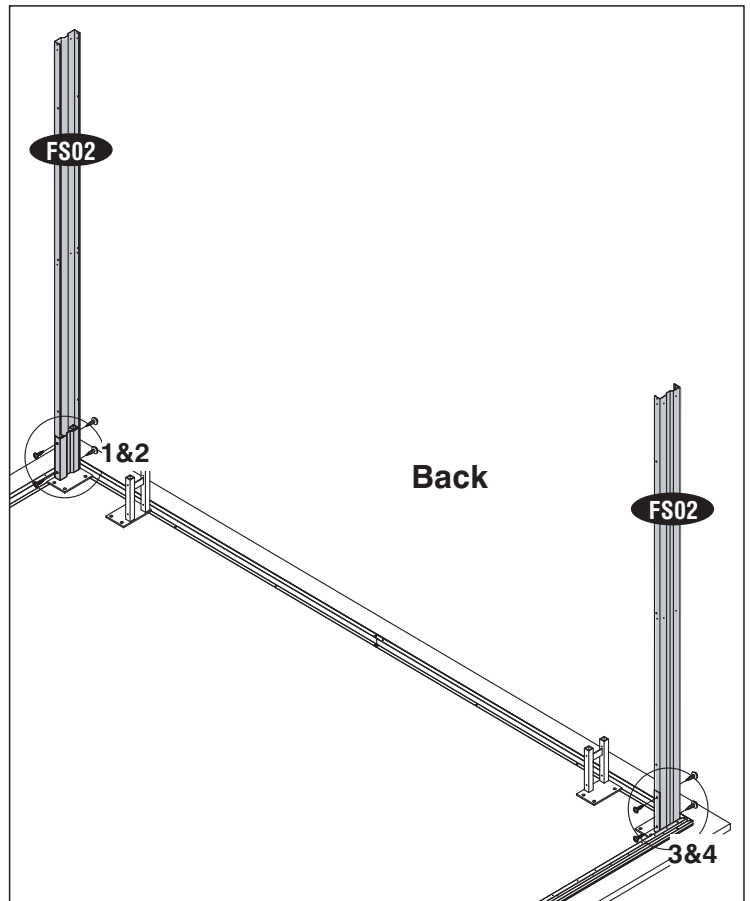
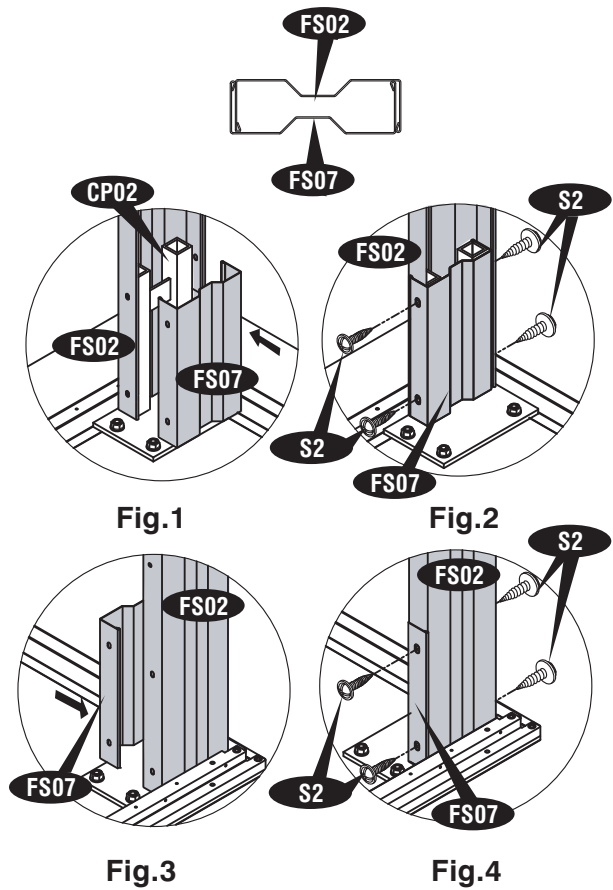


IMPORTANT: USE HAND GLOVES TO PREVENT INJURY.

Step - 1



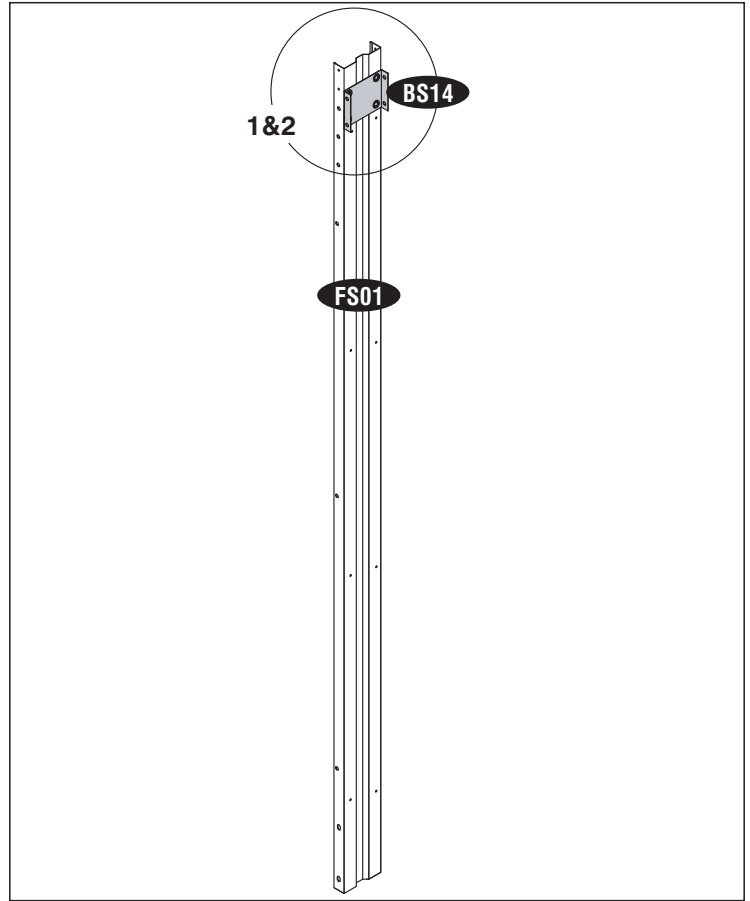
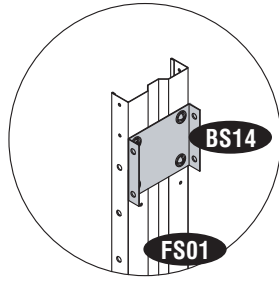
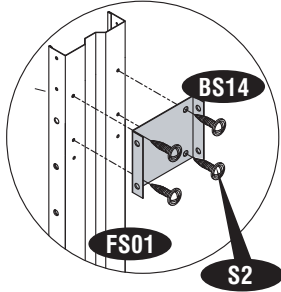
Step - 2



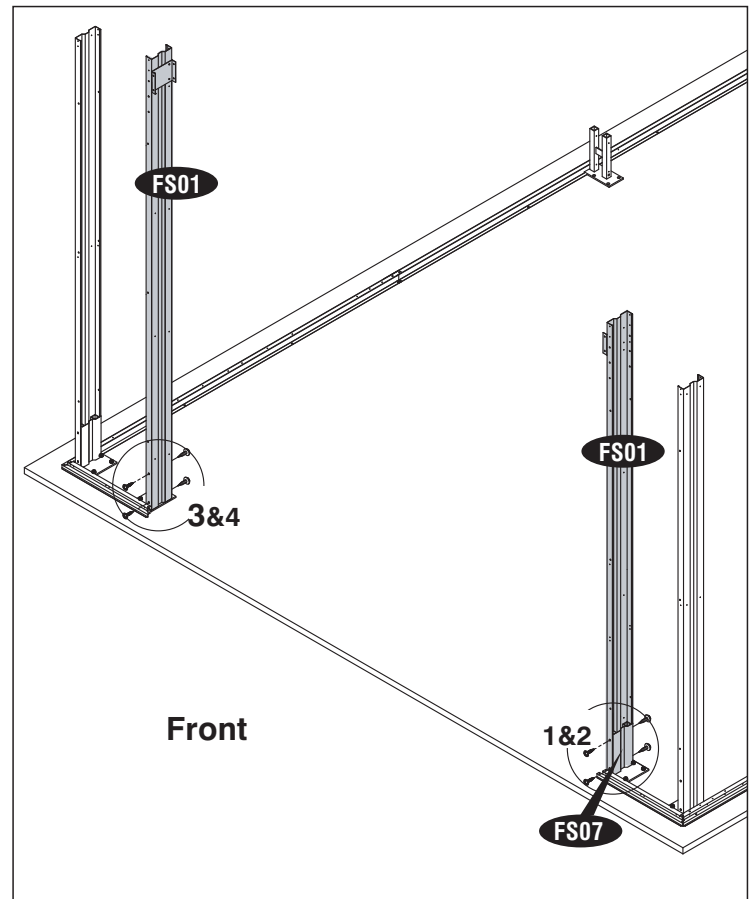
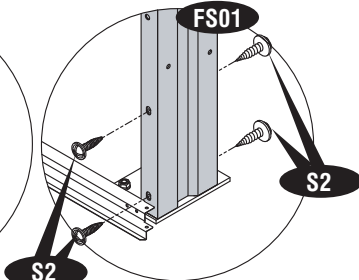
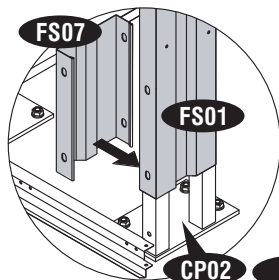
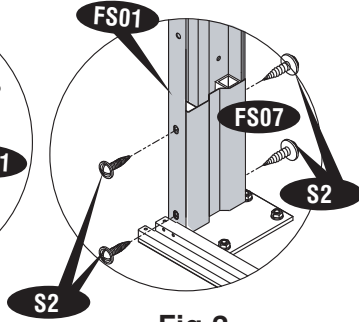
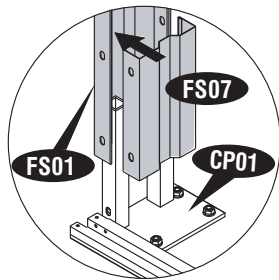
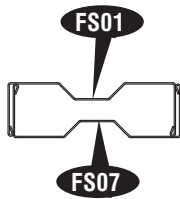
IMPORTANT: USE HAND GLOVES TO PREVENT INJURY.

Step - 3

Make 4 Sets



Step - 4



IMPORTANT: USE HAND GLOVES TO PREVENT INJURY.

Step - 5

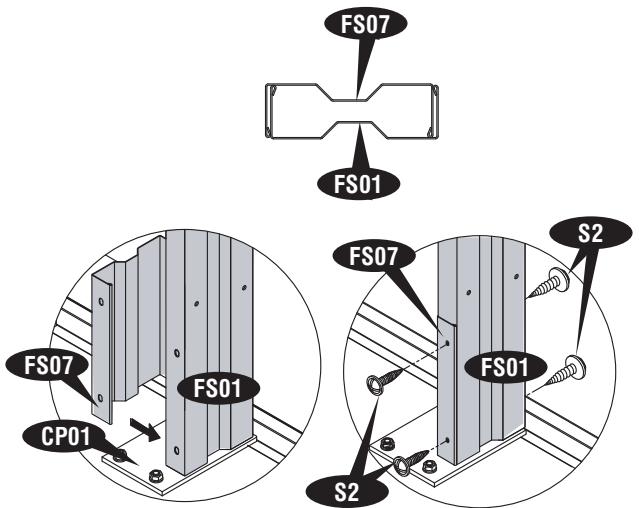


Fig.1

Fig.2

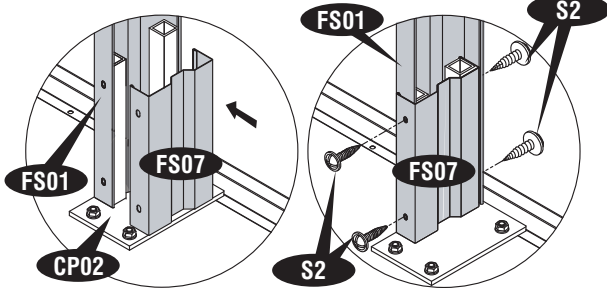
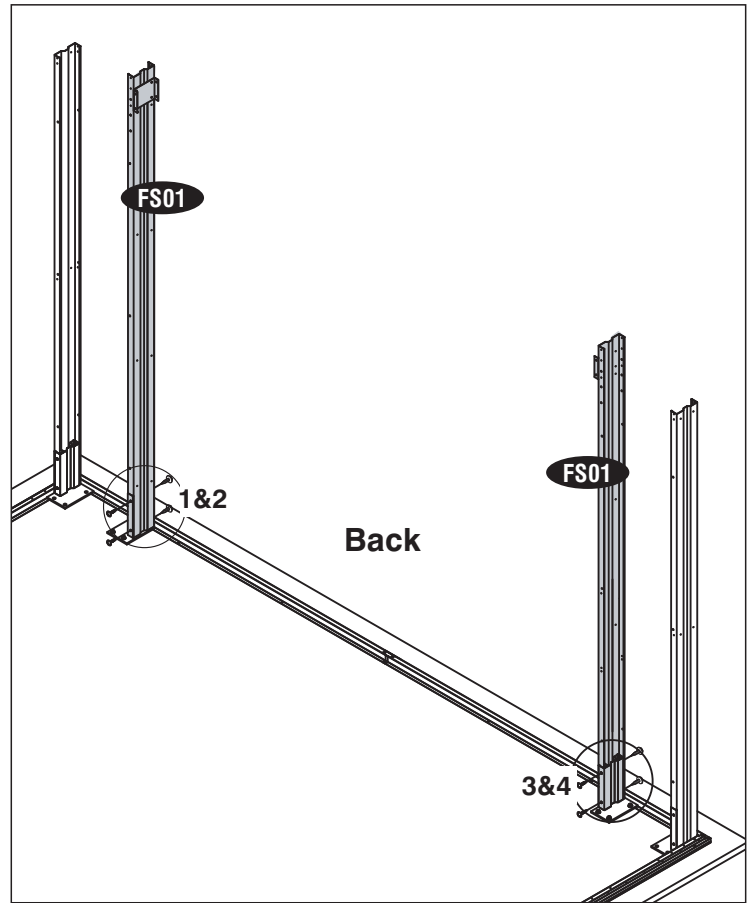
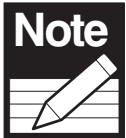


Fig.3

Fig.4



Step - 6



Note Use only 3 Screws as shown in Blow up.

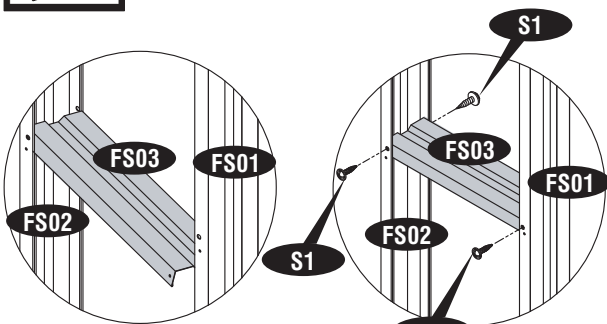


Fig.1

Fig.2

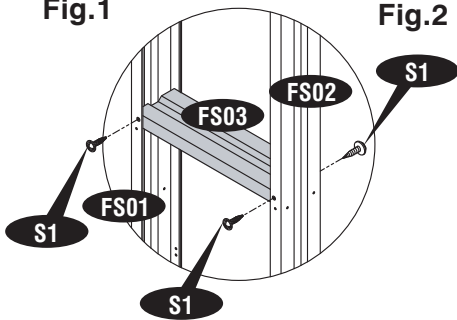
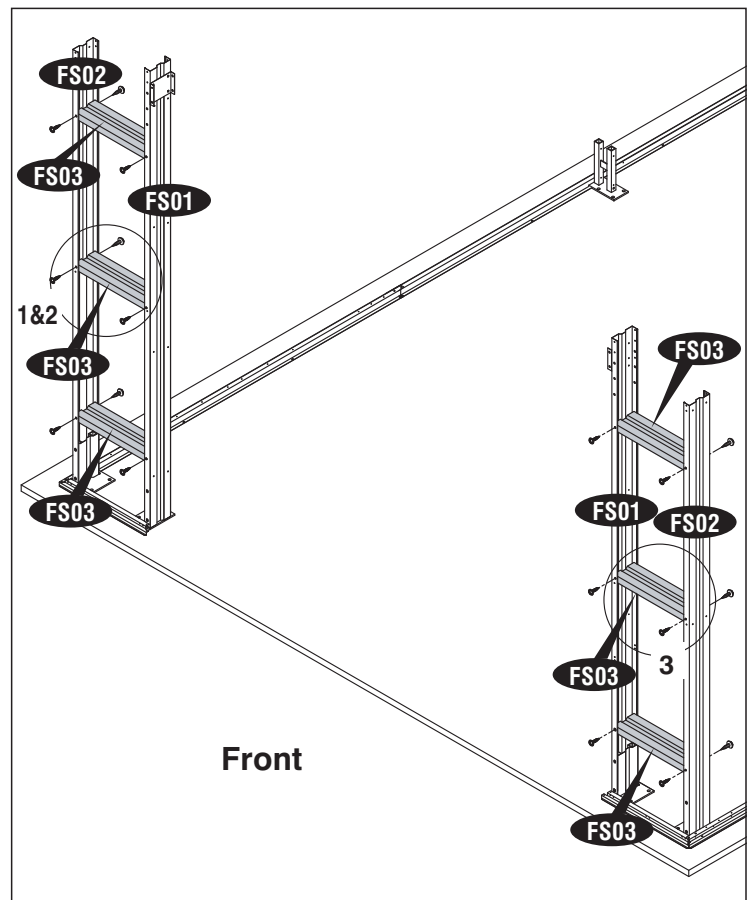
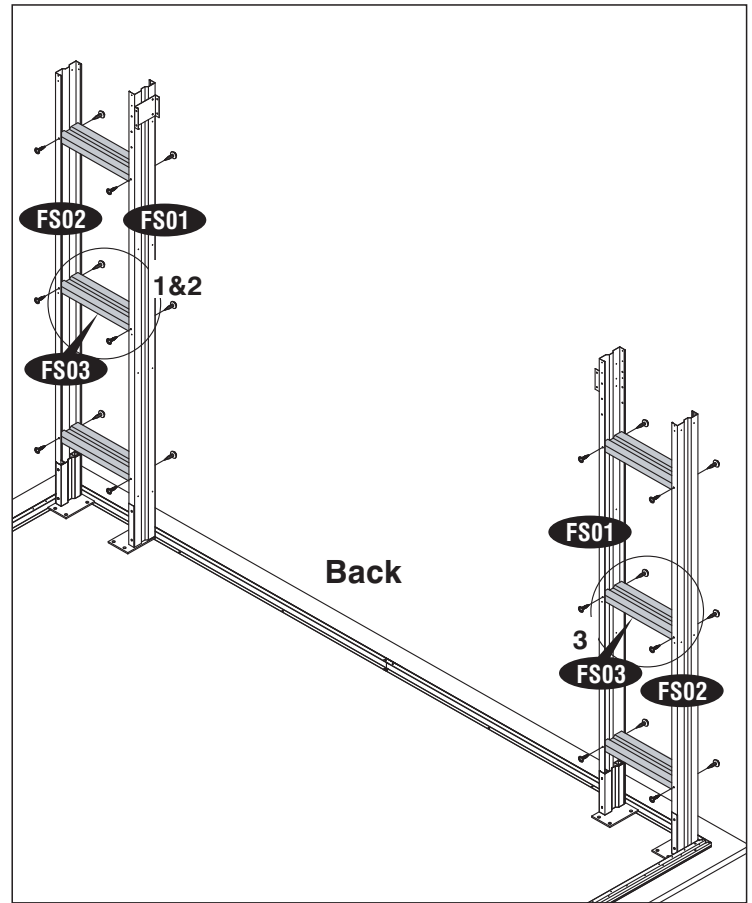
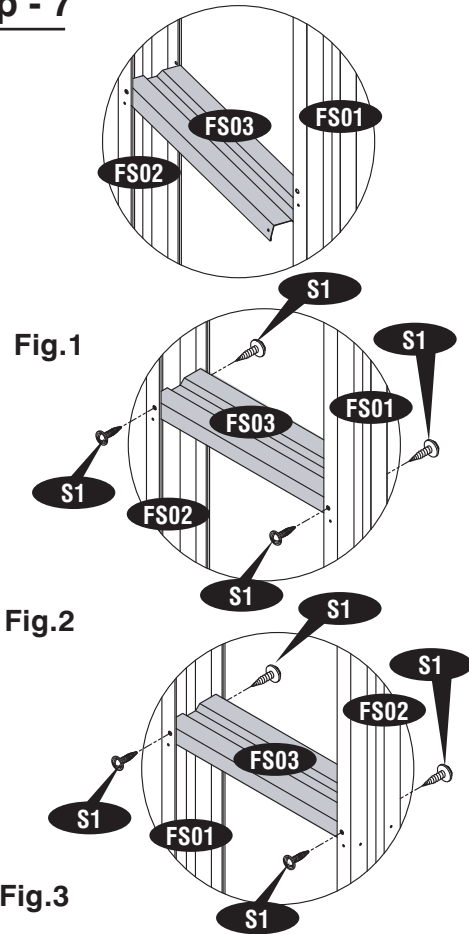


Fig.3



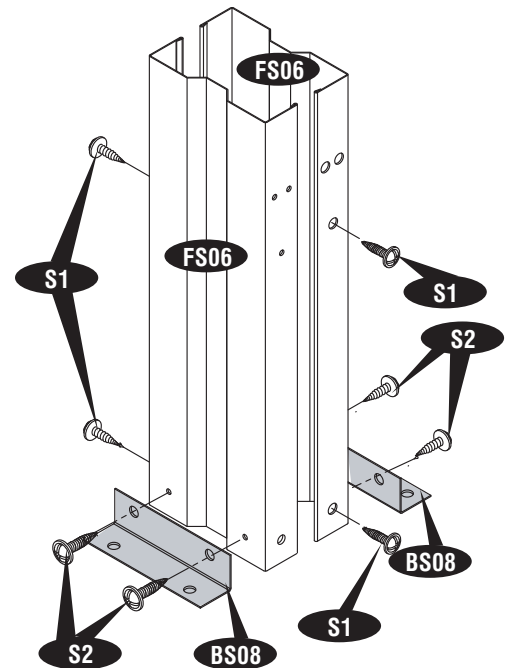
Step - 7



Step - 8

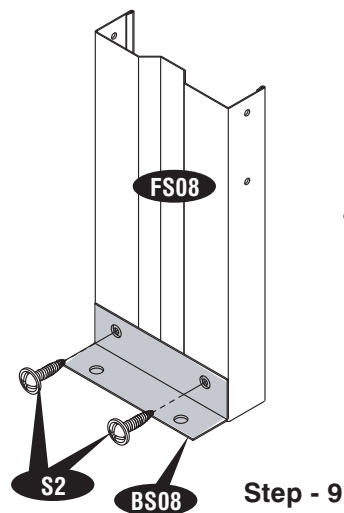
Make 2 Sets

Step - 8



Step - 9

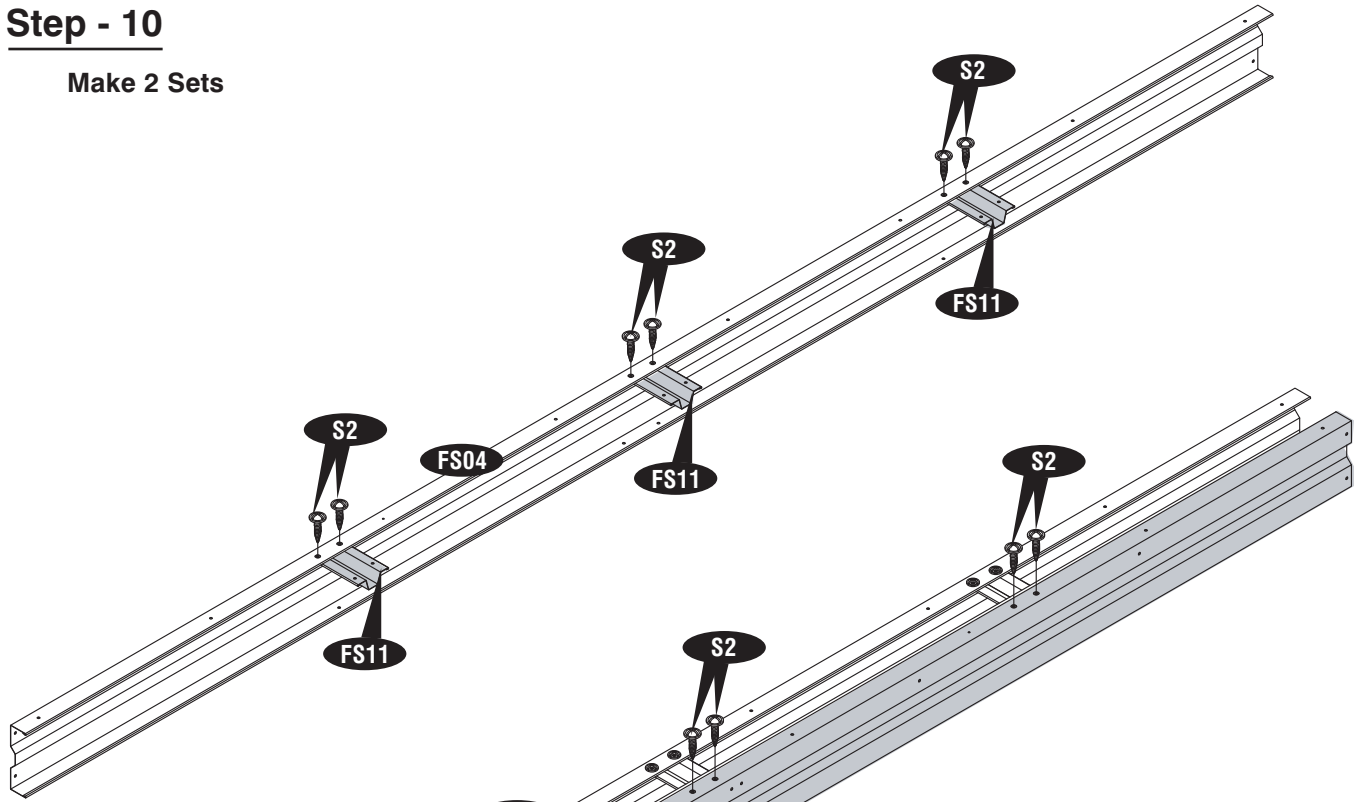
Make 4 Sets



Step - 9

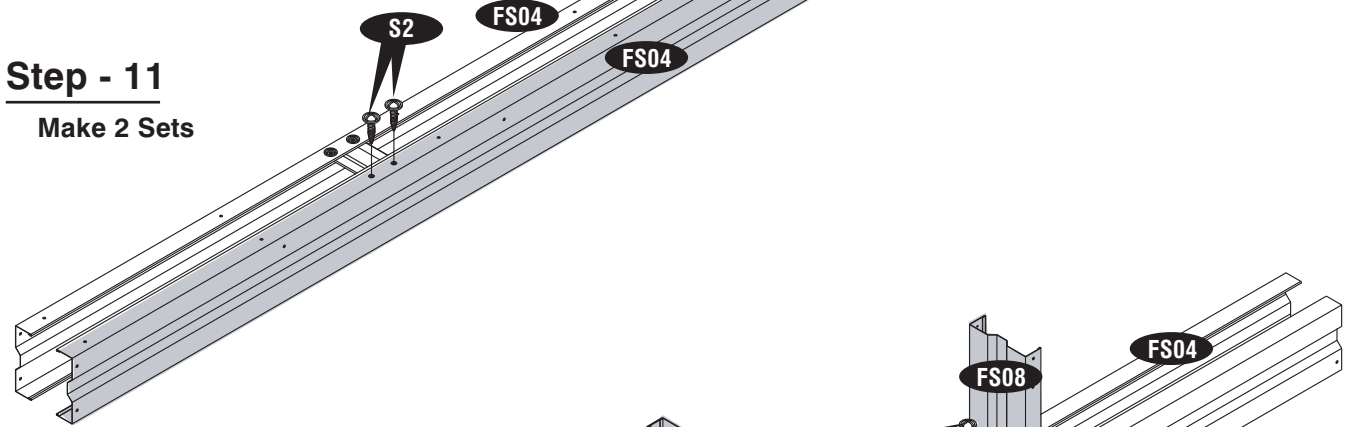
Step - 10

Make 2 Sets



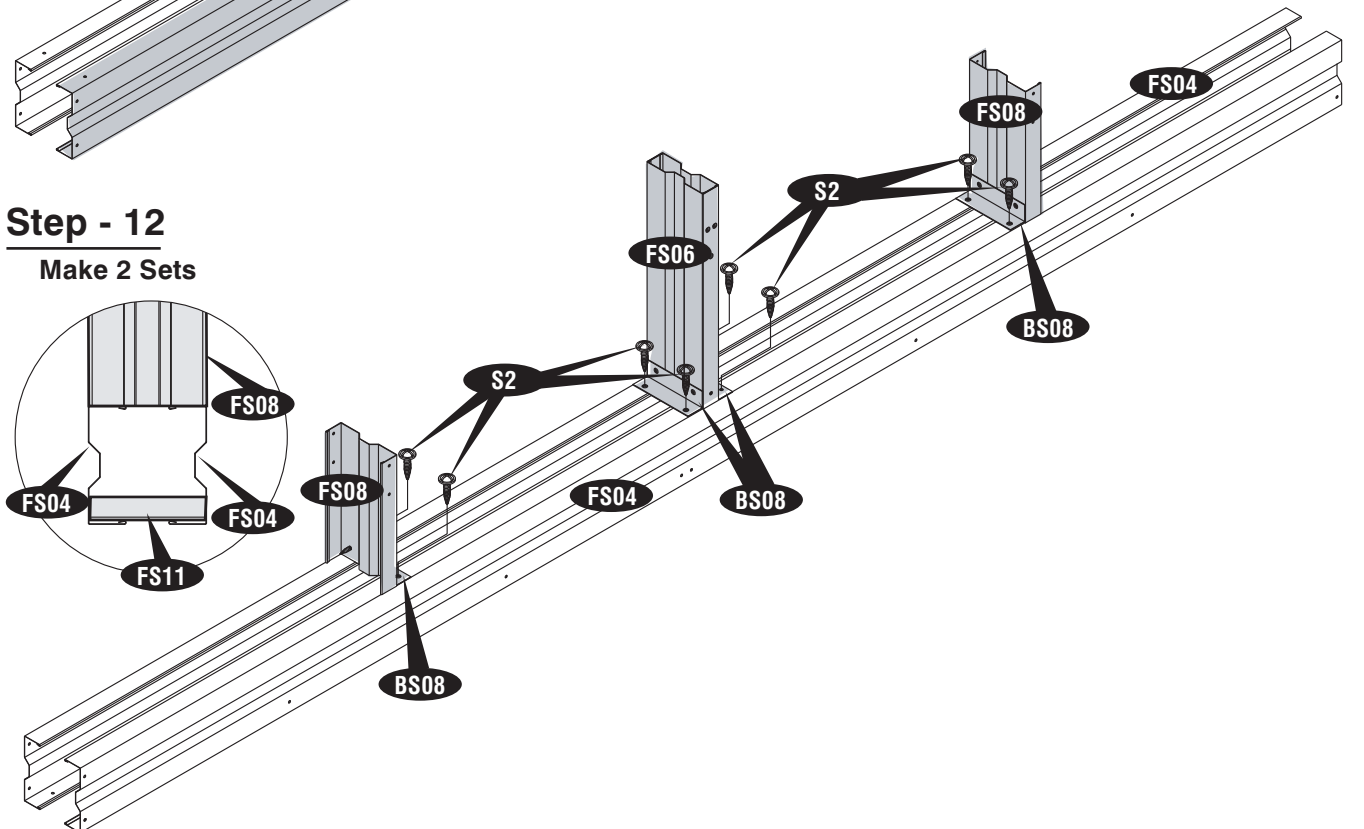
Step - 11

Make 2 Sets



Step - 12

Make 2 Sets



Step - 13

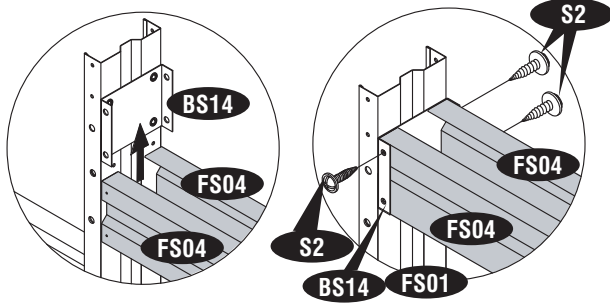


Fig.1

Fig.2

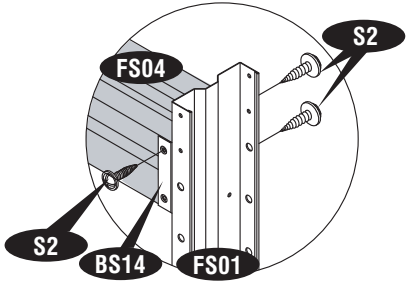
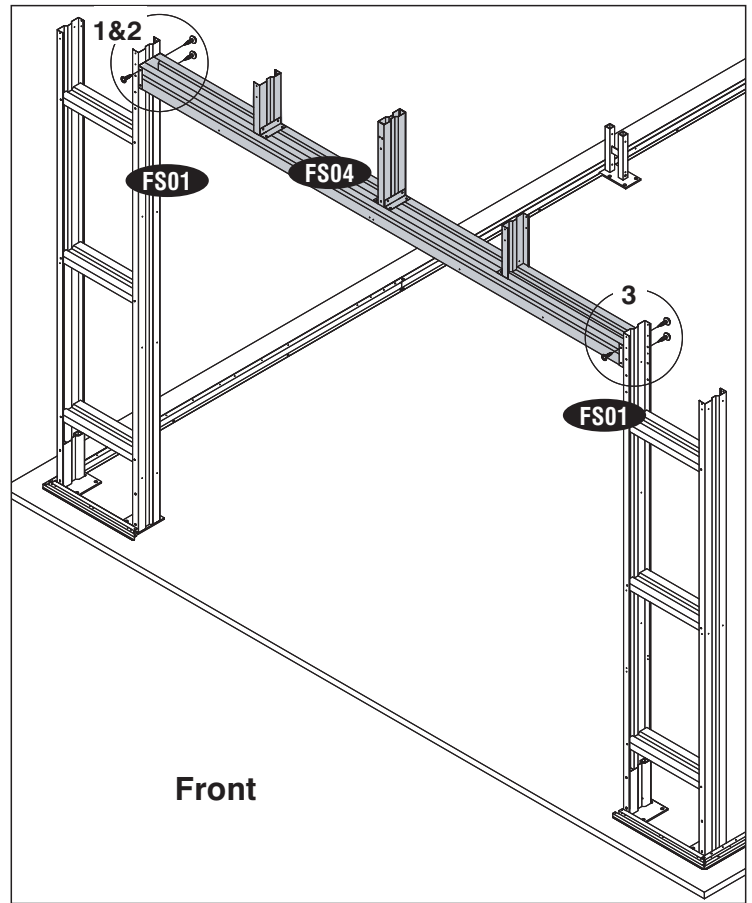


Fig.3



Front

Step - 14

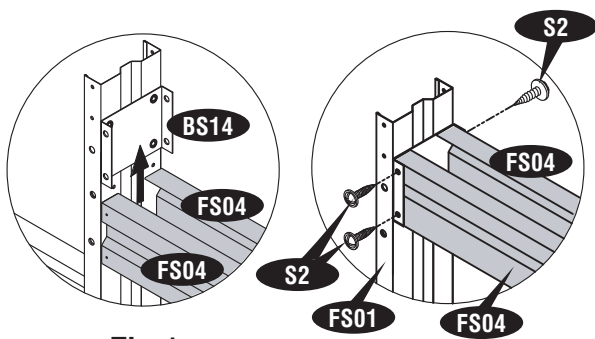


Fig.1

Fig.2

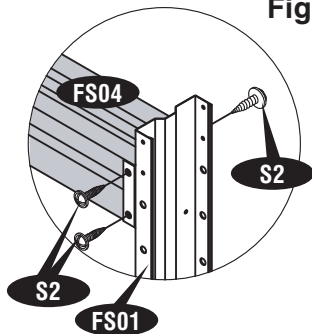
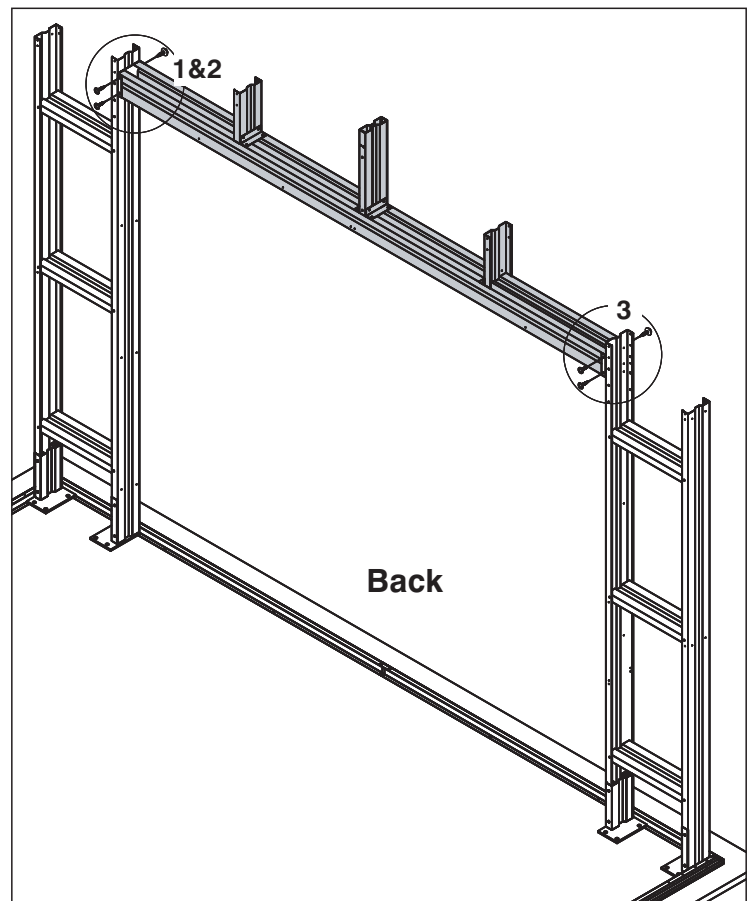


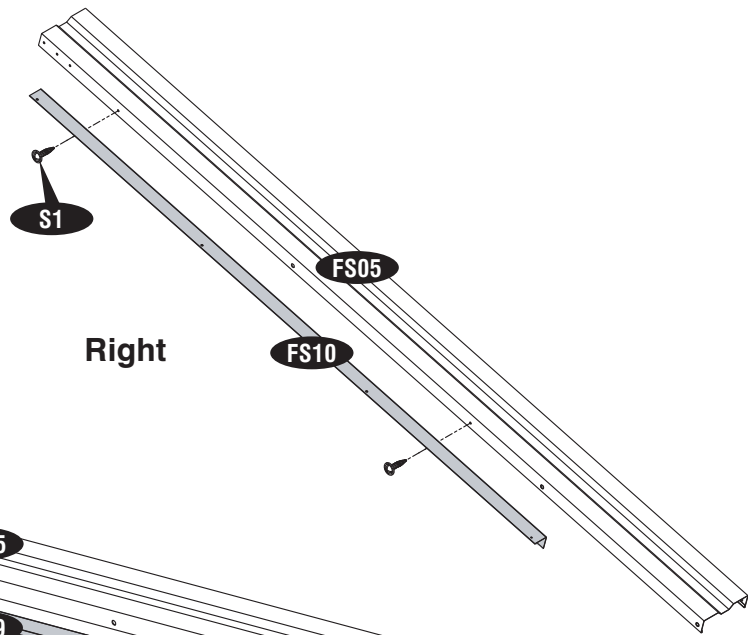
Fig.3



Back

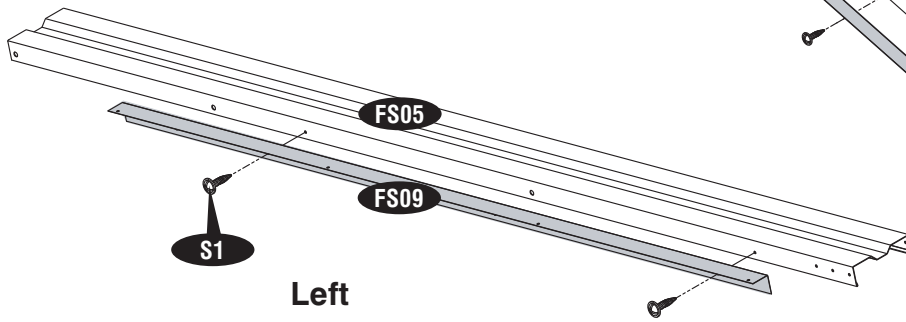
Step - 15

Make 2 Sets

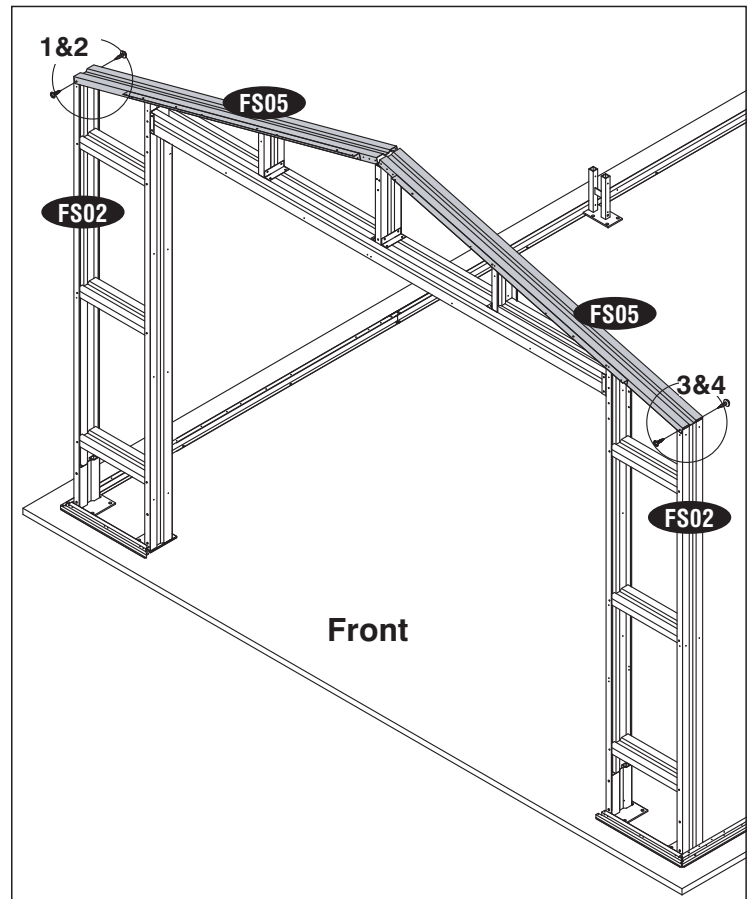
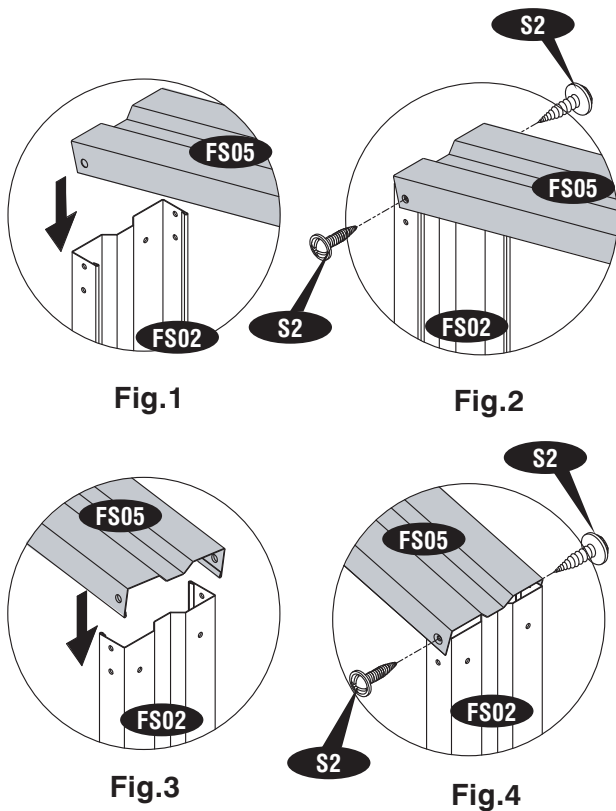


Step - 16

Make 2 Sets

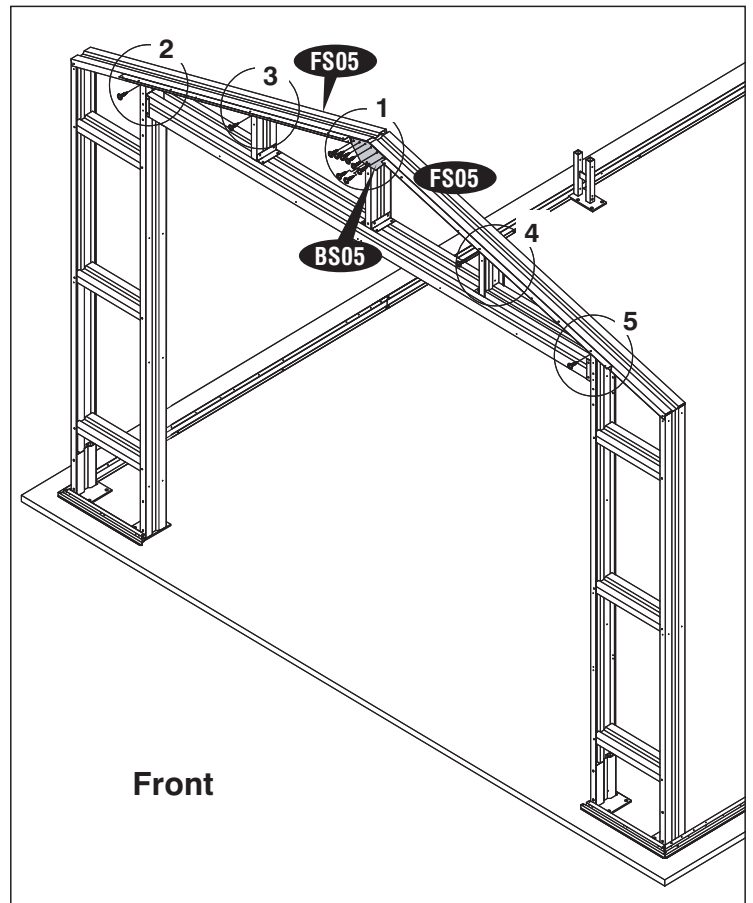
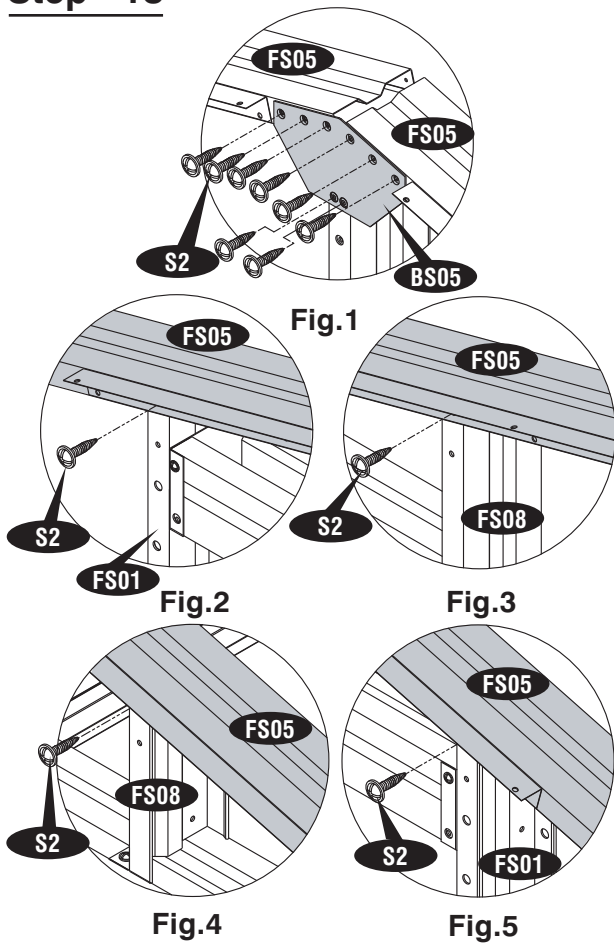


Step - 17

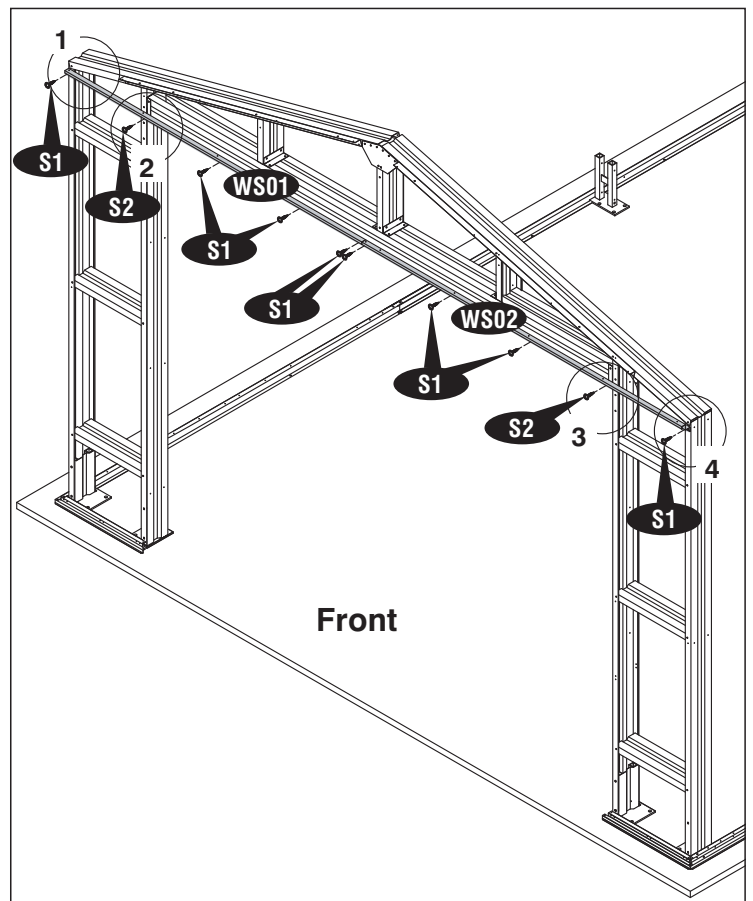
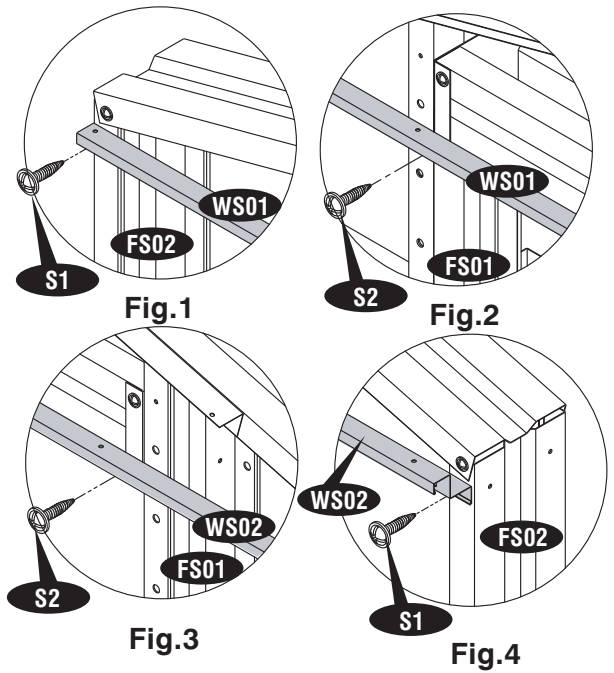


IMPORTANT: USE HAND GLOVES TO PREVENT INJURY.

Step - 18



Step - 19



Step - 20

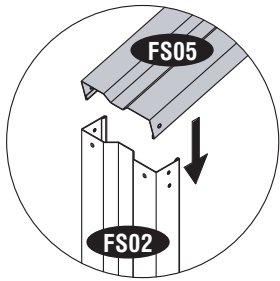


Fig.1

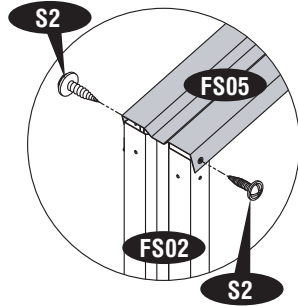


Fig.2

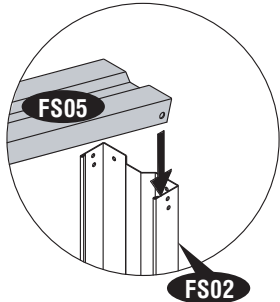


Fig.3

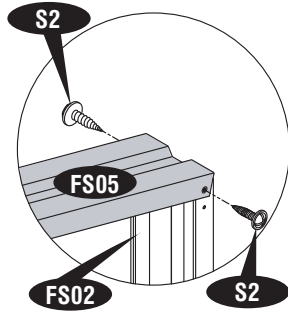
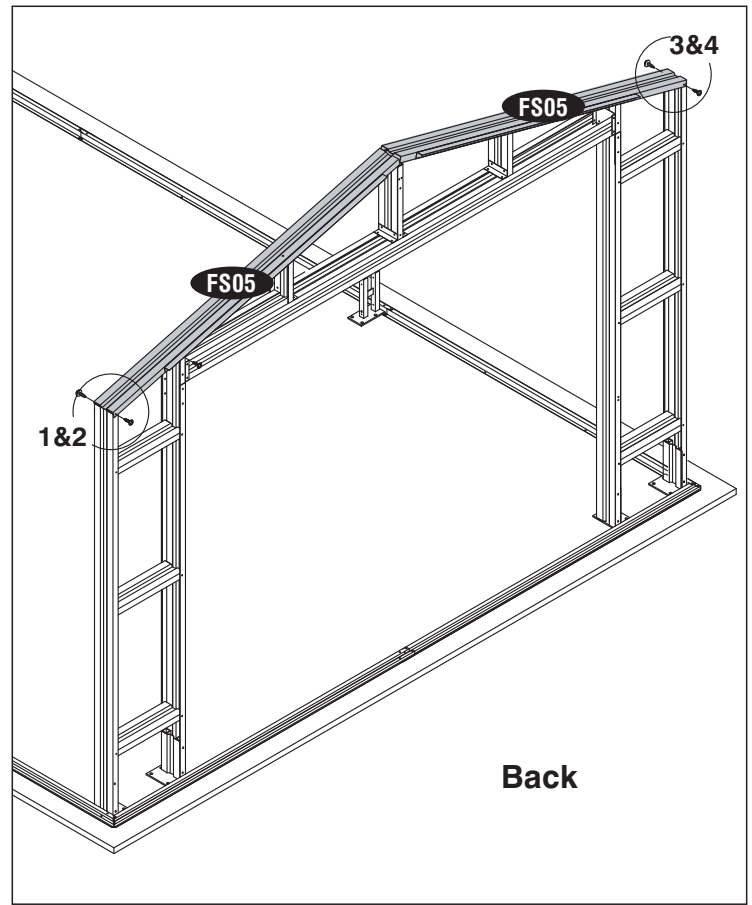


Fig.4



Back

Step - 21

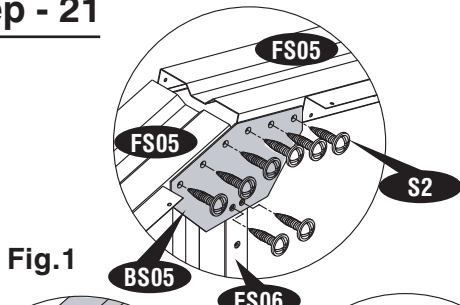


Fig.1

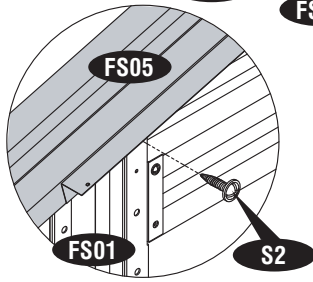


Fig.2

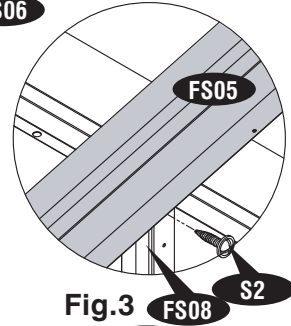


Fig.3

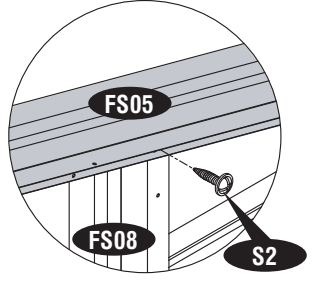


Fig.4

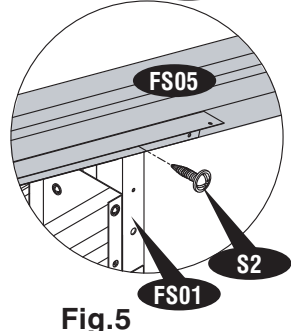
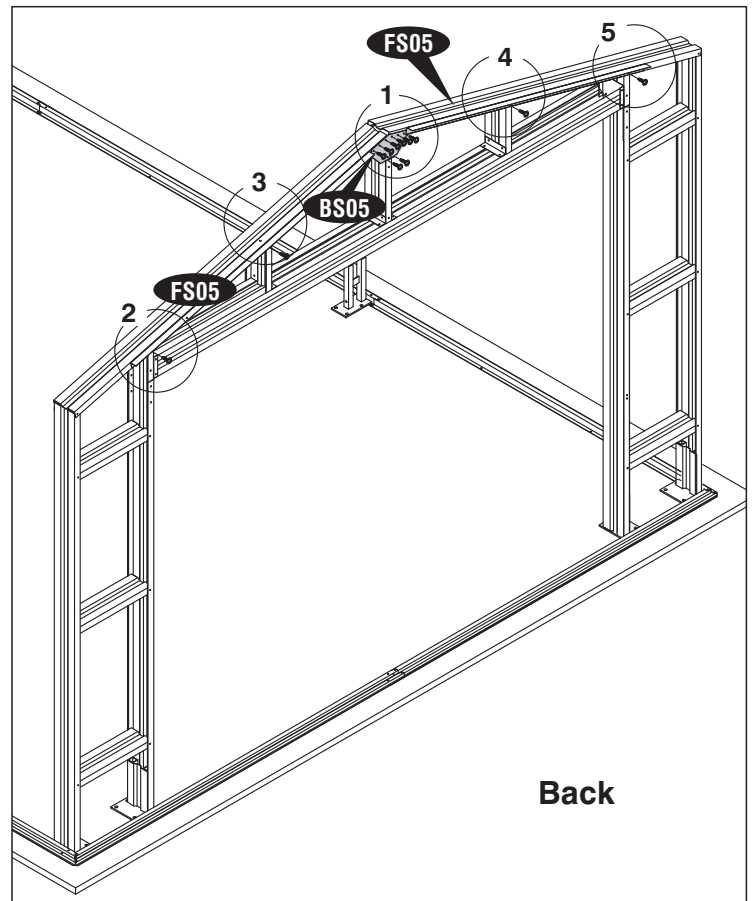


Fig.5



Back

IMPORTANT: USE HAND GLOVES TO PREVENT INJURY.

Step - 22

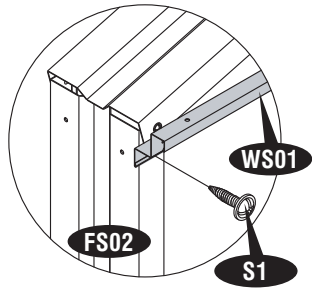


Fig.1

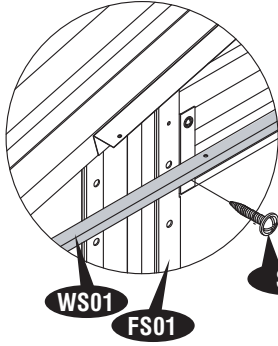


Fig.2

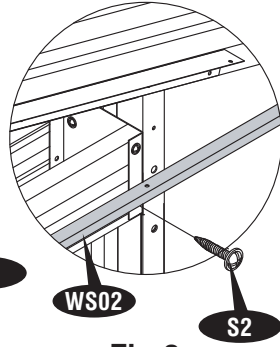
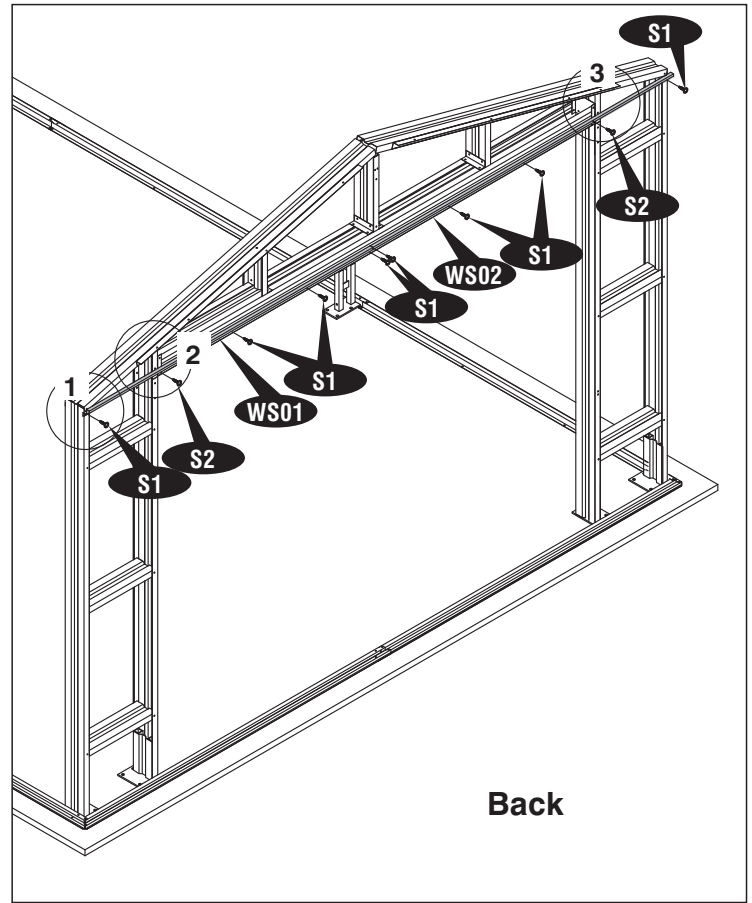


Fig.3



Back

Step - 23

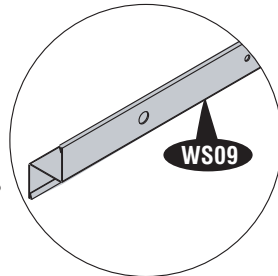
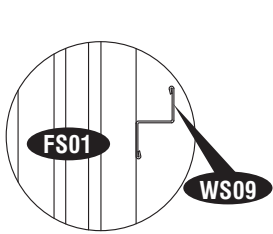


Fig.1

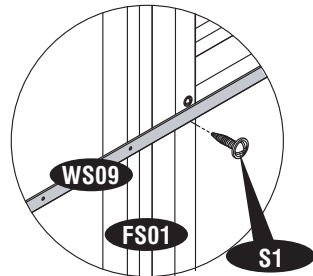
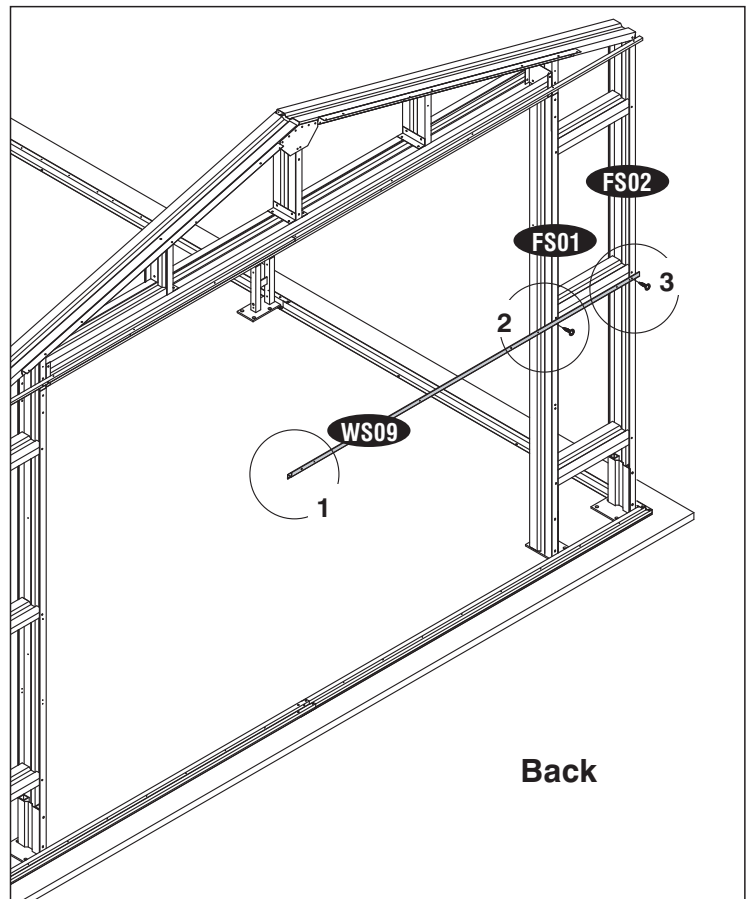


Fig. 2



Fig.3



Back

Step - 24

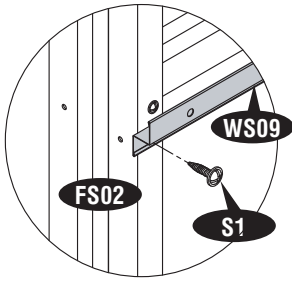


Fig.1



Fig.2

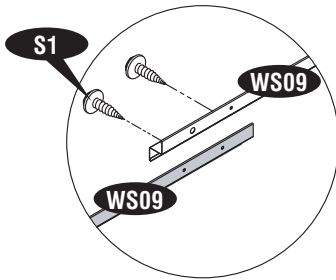
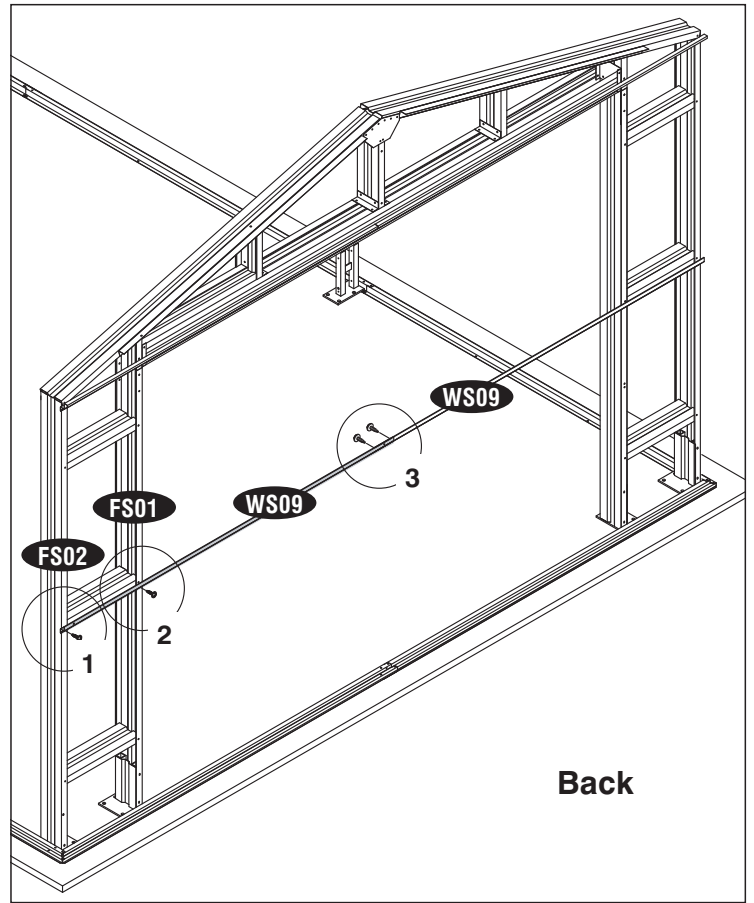


Fig.3



Back

Step - 25

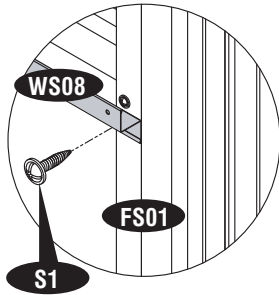


Fig.1

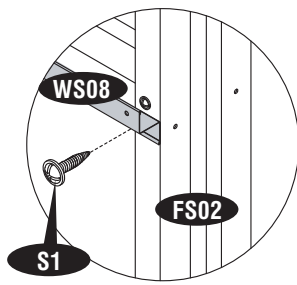


Fig. 2

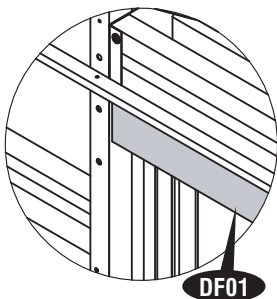


Fig.3

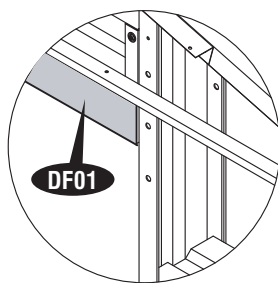
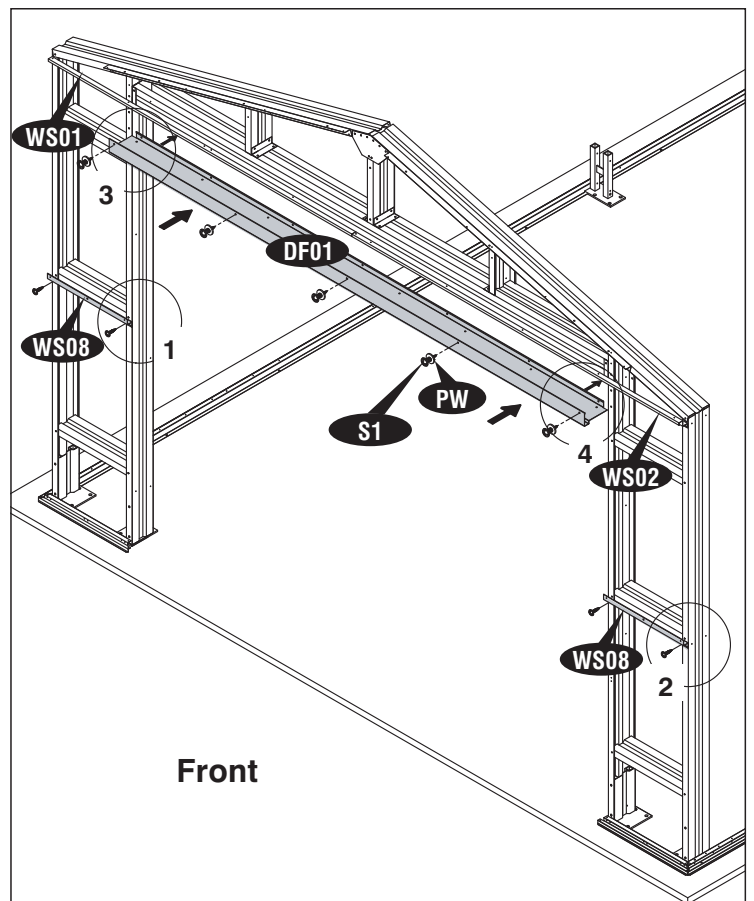
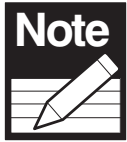


Fig. 4



Front

Step - 26



It is important that Use S1 Screws first.

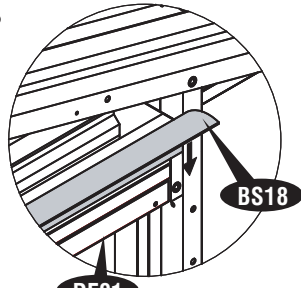
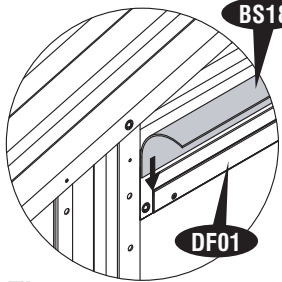
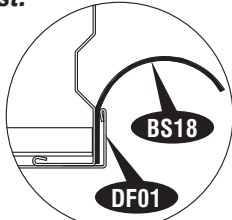


Fig.1

Fig.2

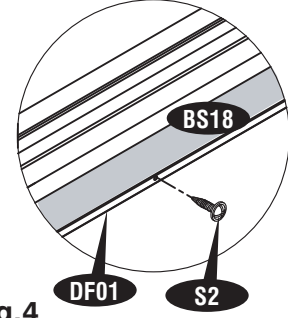
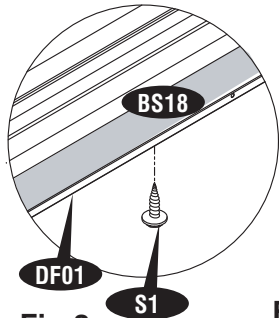
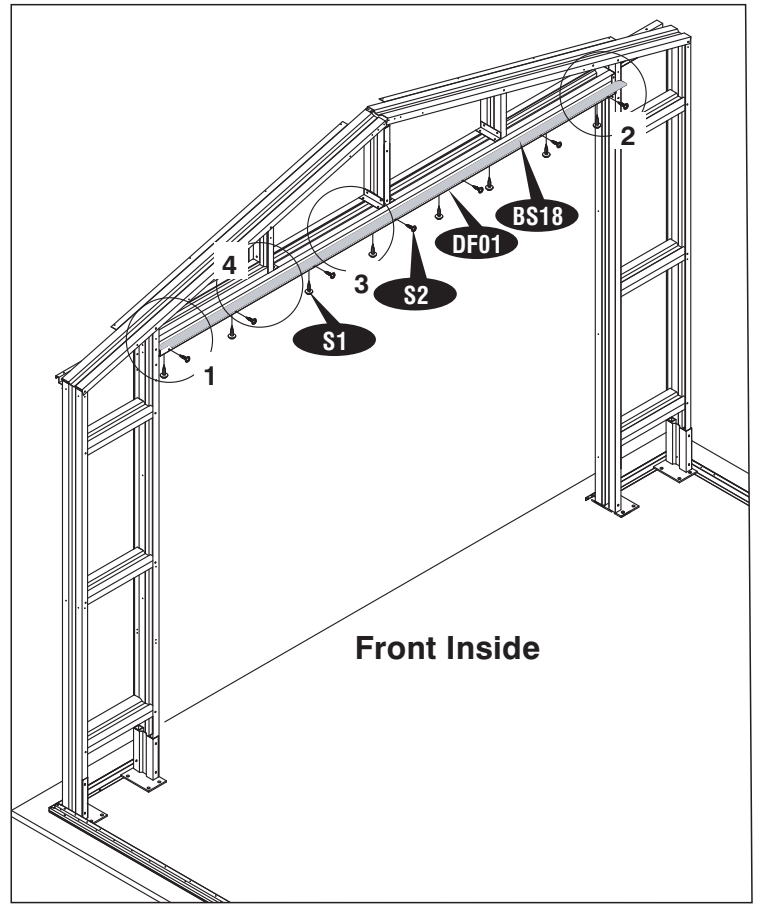


Fig.3

Fig.4



Front Inside

Step - 27

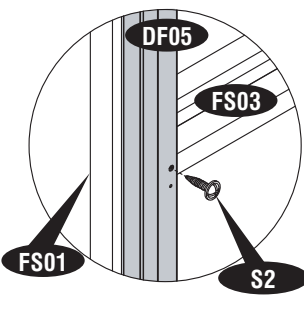
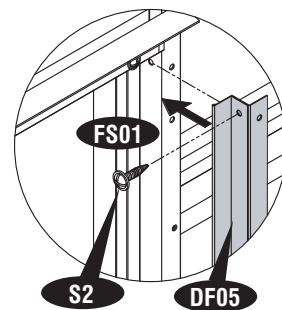
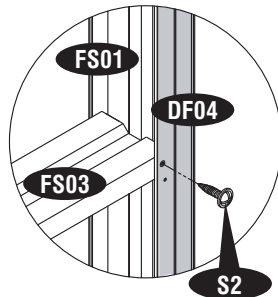
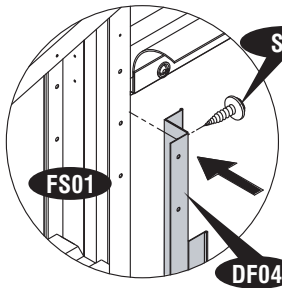
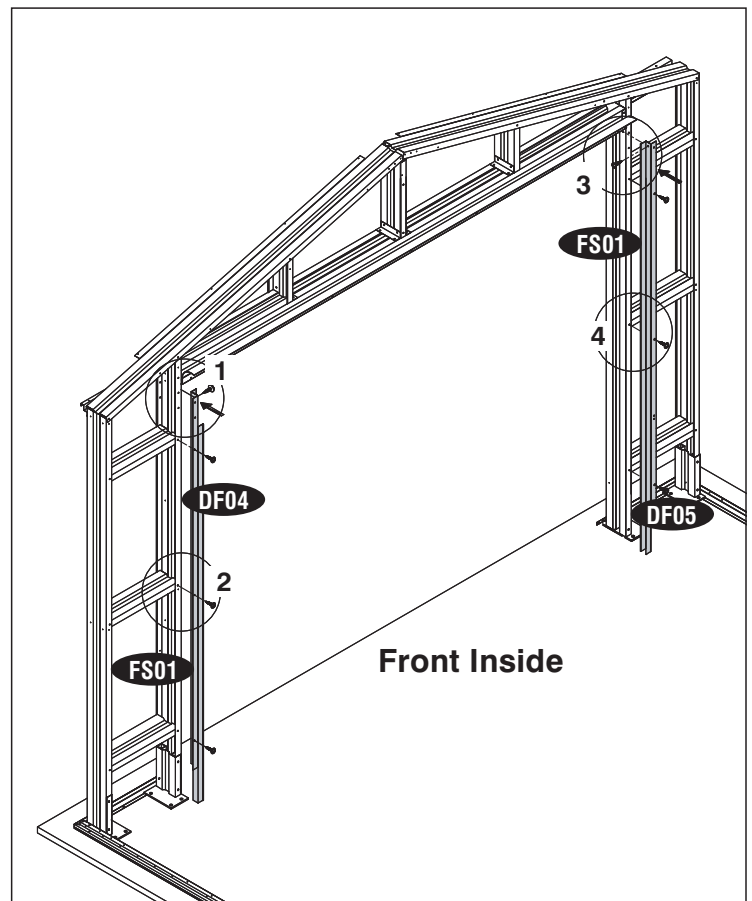


Fig.1

Fig.2

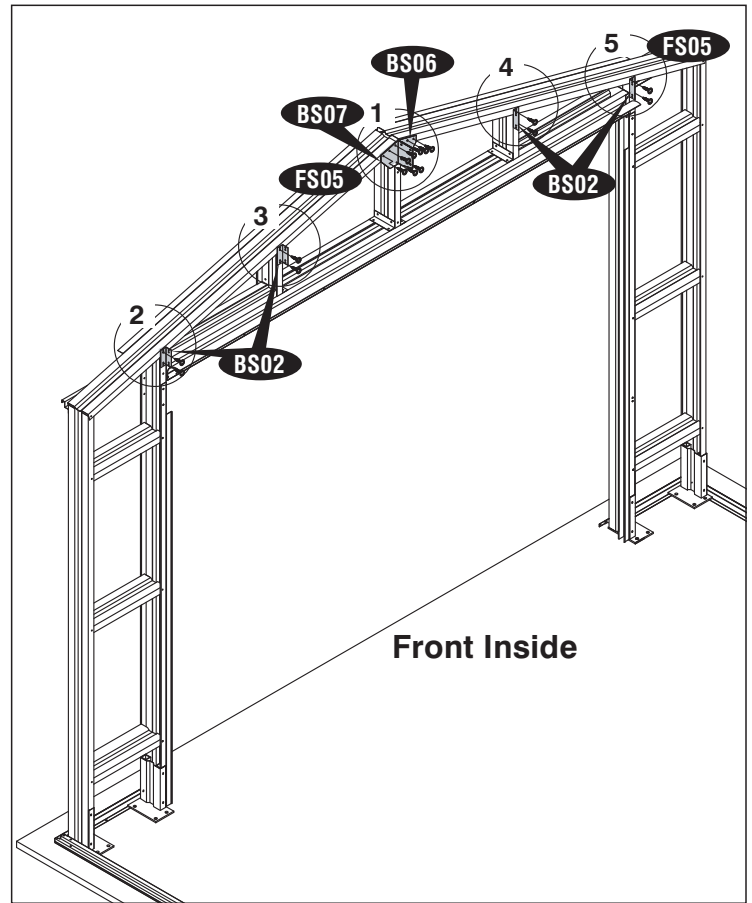
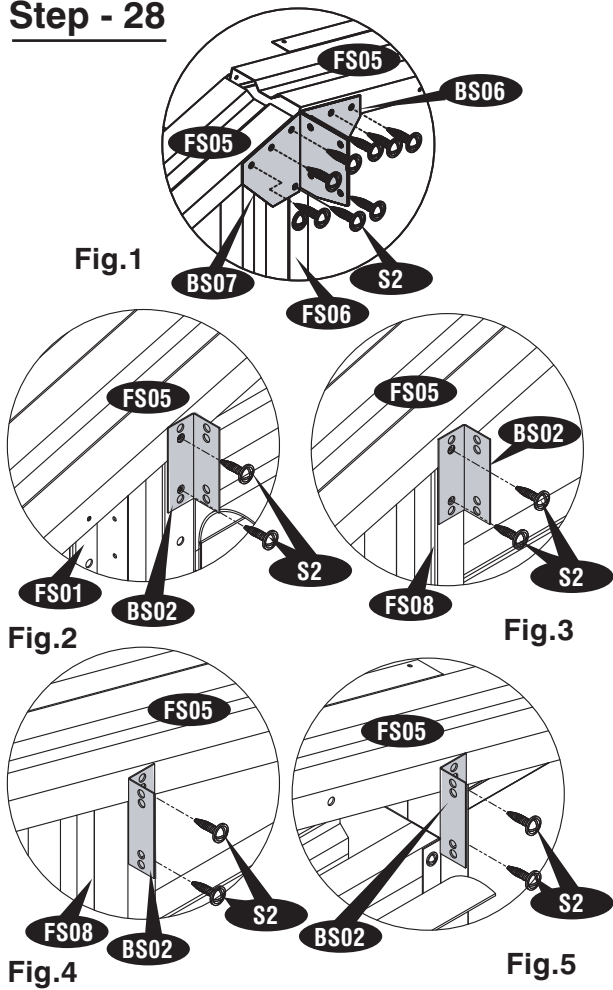
Fig.3

Fig.4

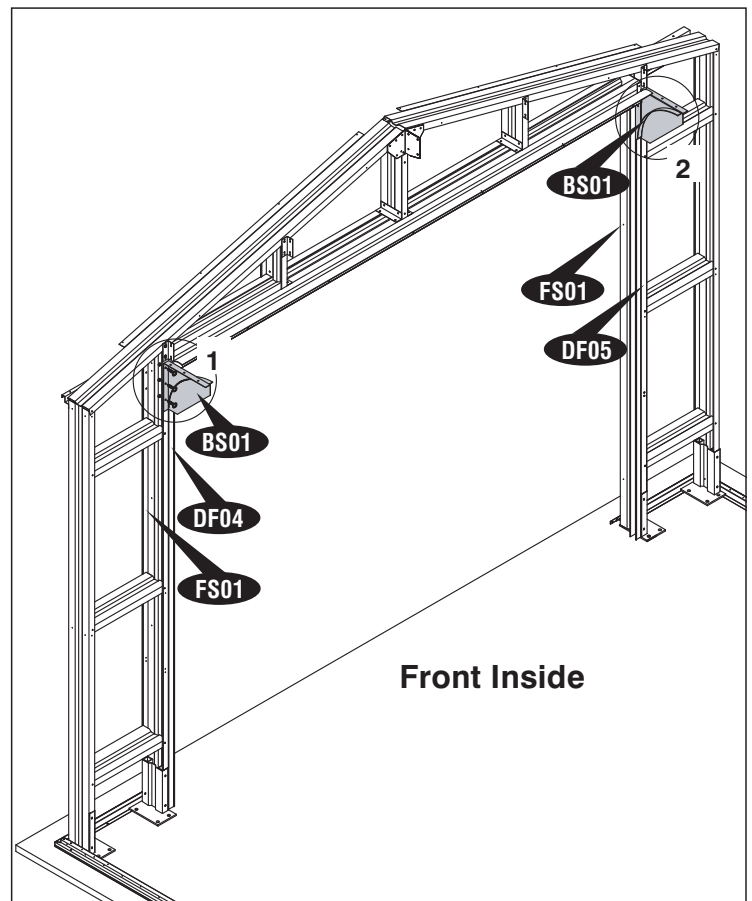
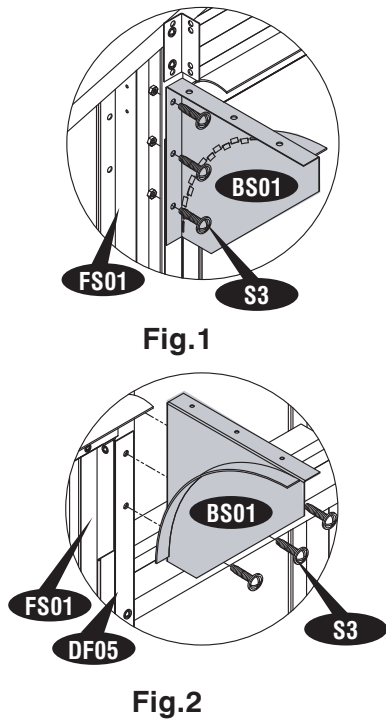


Front Inside

Step - 28



Step - 29



Step - 30

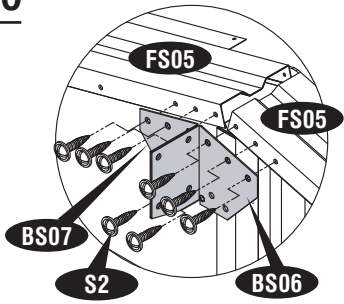


Fig.1

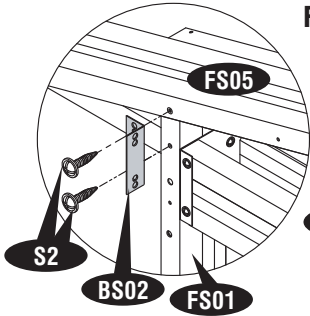


Fig.2

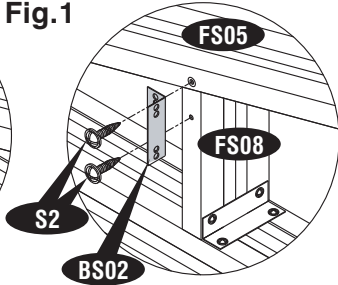


Fig.3

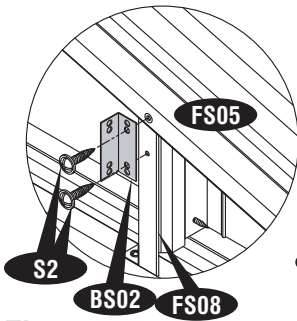


Fig.4

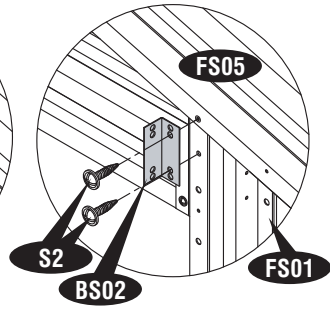
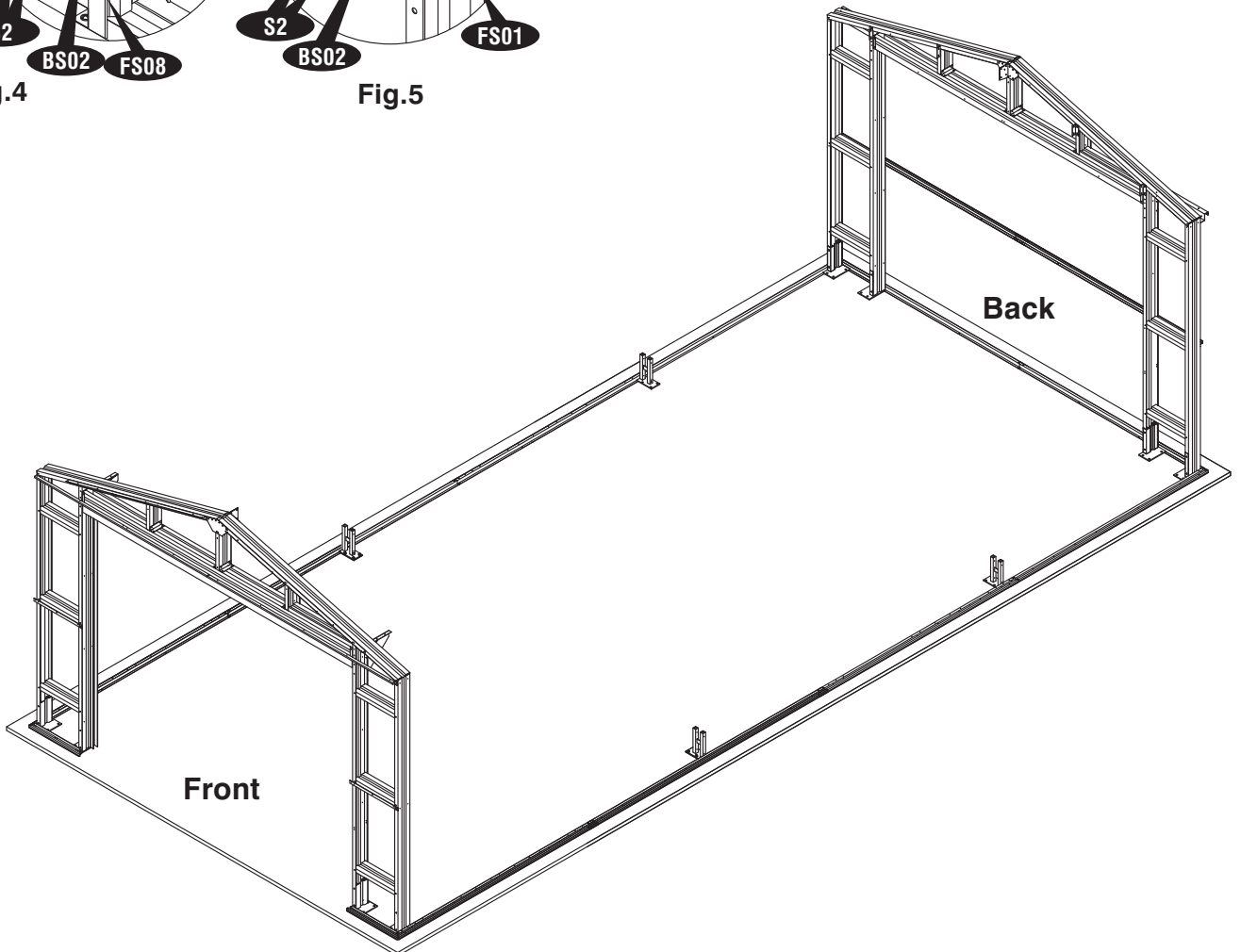
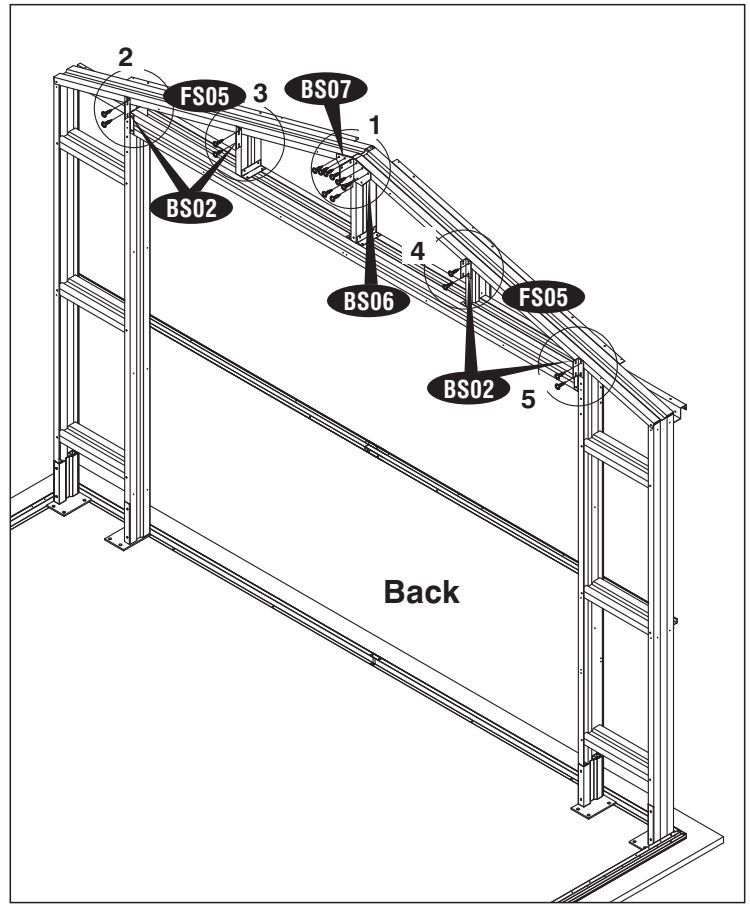


Fig.5



IMPORTANT: USE HAND GLOVES TO PREVENT INJURY.

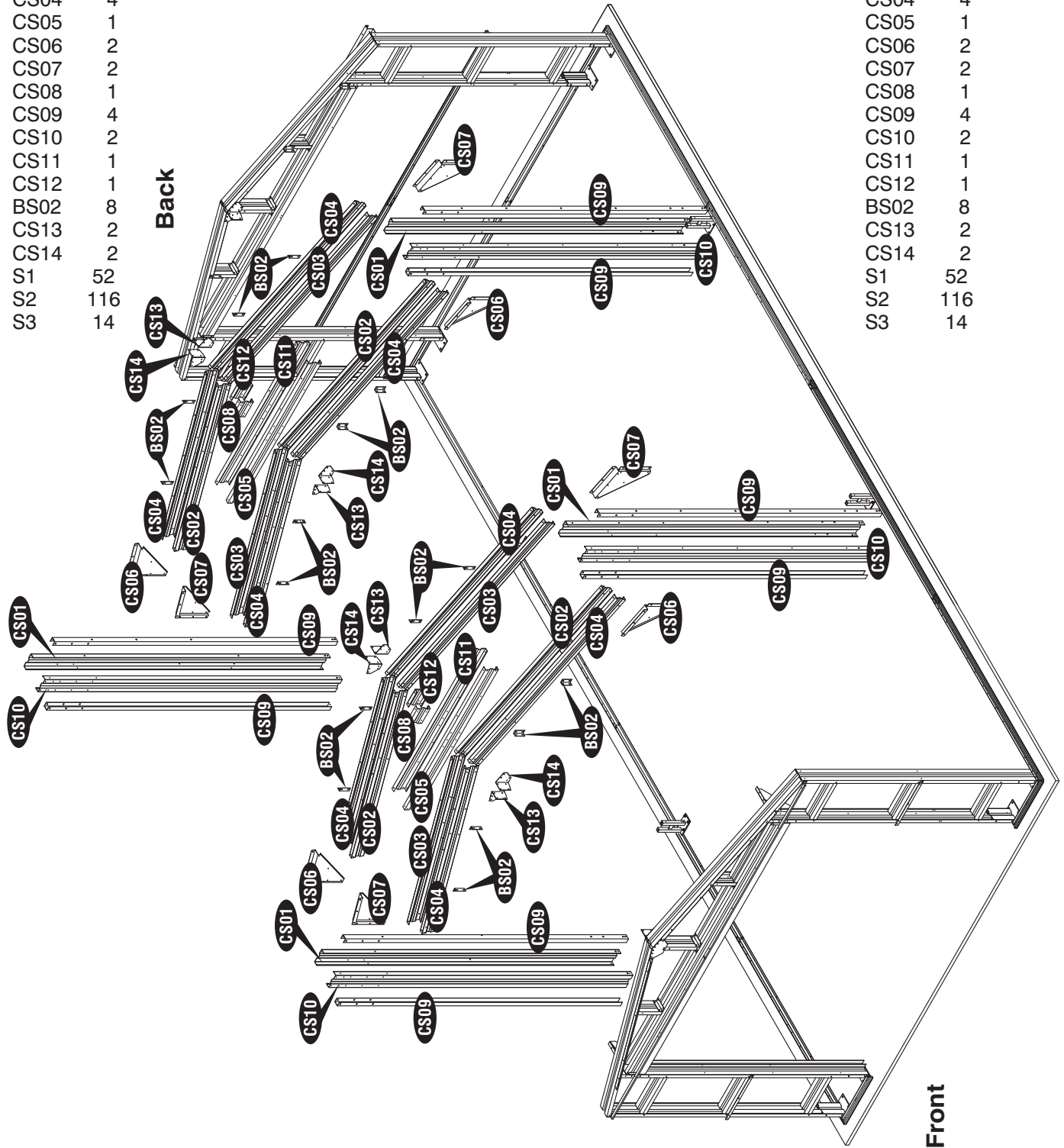
C. Center Structure Assembly

Parts Needed:

Code	Qty
CS01	2
CS02	2
CS03	2
CS04	4
CS05	1
CS06	2
CS07	2
CS08	1
CS09	4
CS10	2
CS11	1
CS12	1
BS02	8
CS13	2
CS14	2
S1	52
S2	116
S3	14

Parts Needed for each extension:

Code	Qty
CS01	2
CS02	2
CS03	2
CS04	4
CS05	1
CS06	2
CS07	2
CS08	1
CS09	4
CS10	2
CS11	1
CS12	1
BS02	8
CS13	2
CS14	2
S1	52
S2	116
S3	14



IMPORTANT: USE HAND GLOVES TO PREVENT INJURY.

Step - 1

Make 2 Sets

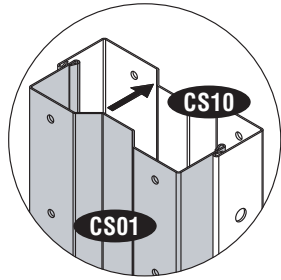


Fig.1

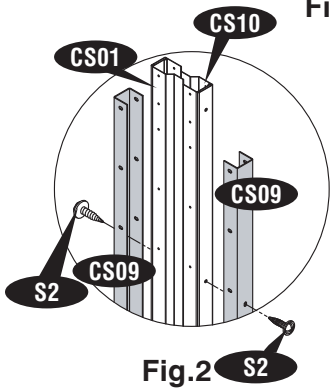


Fig.2

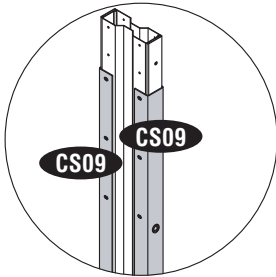
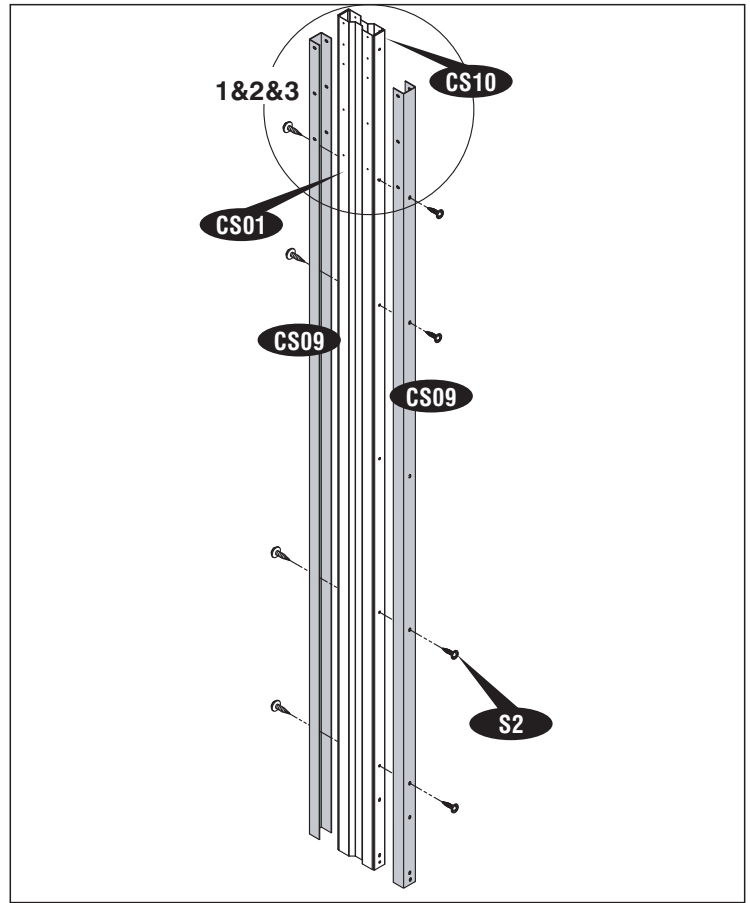
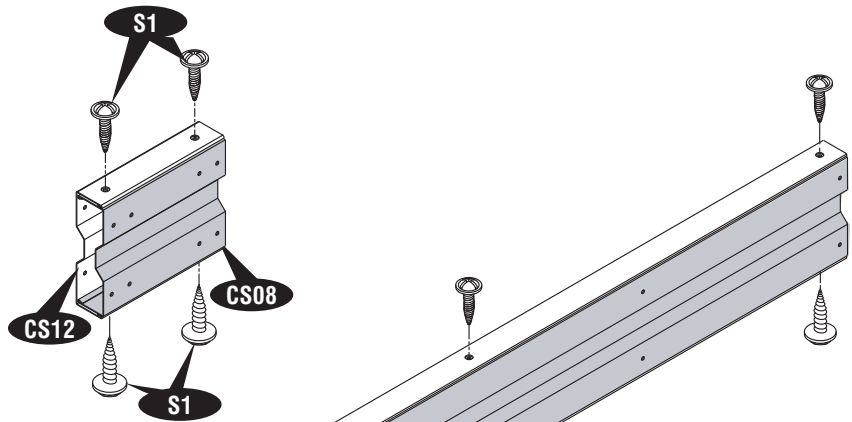
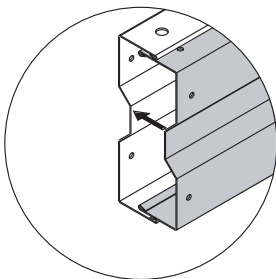


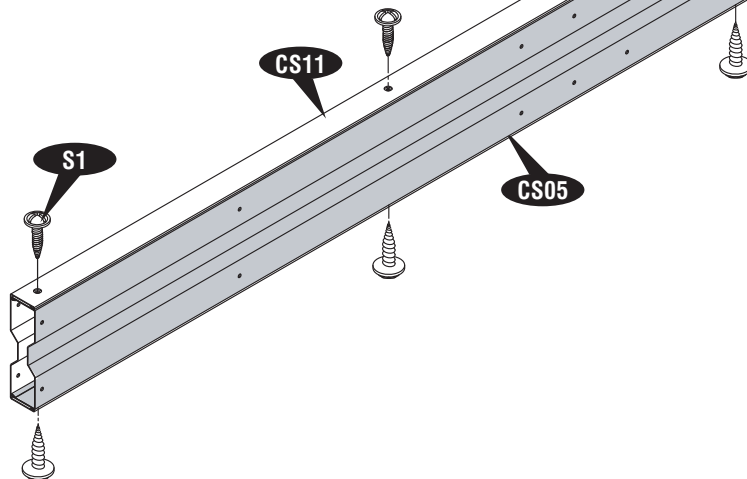
Fig.3



Step - 2

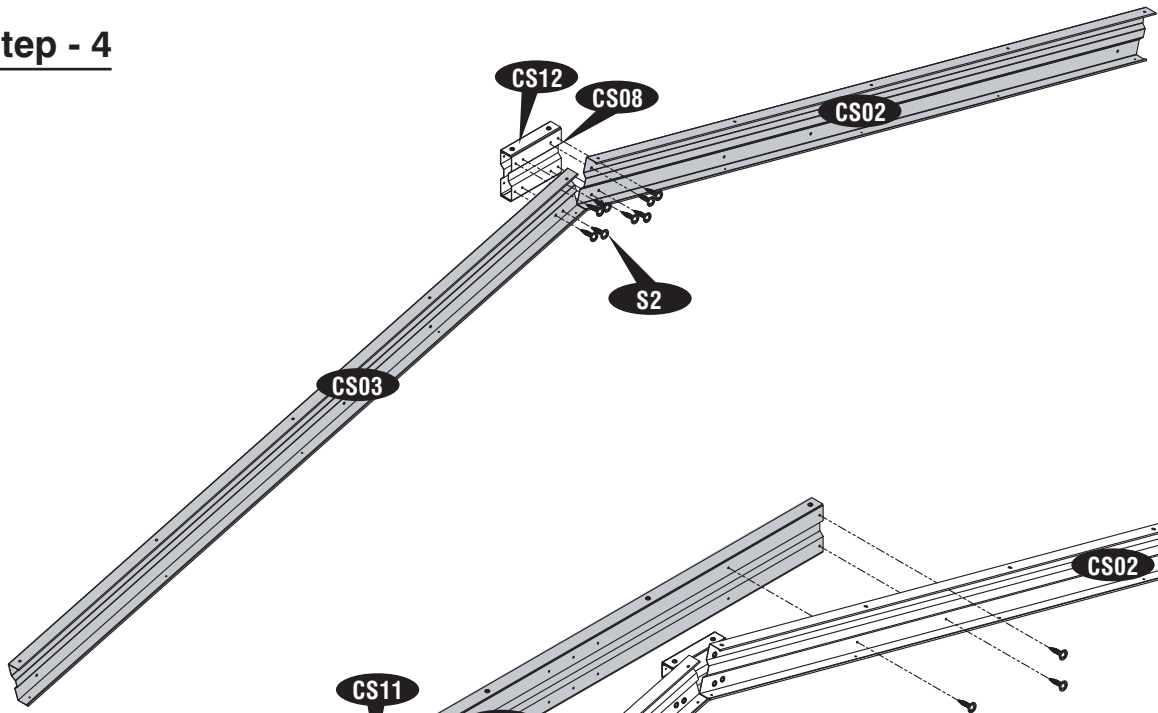


Step - 3

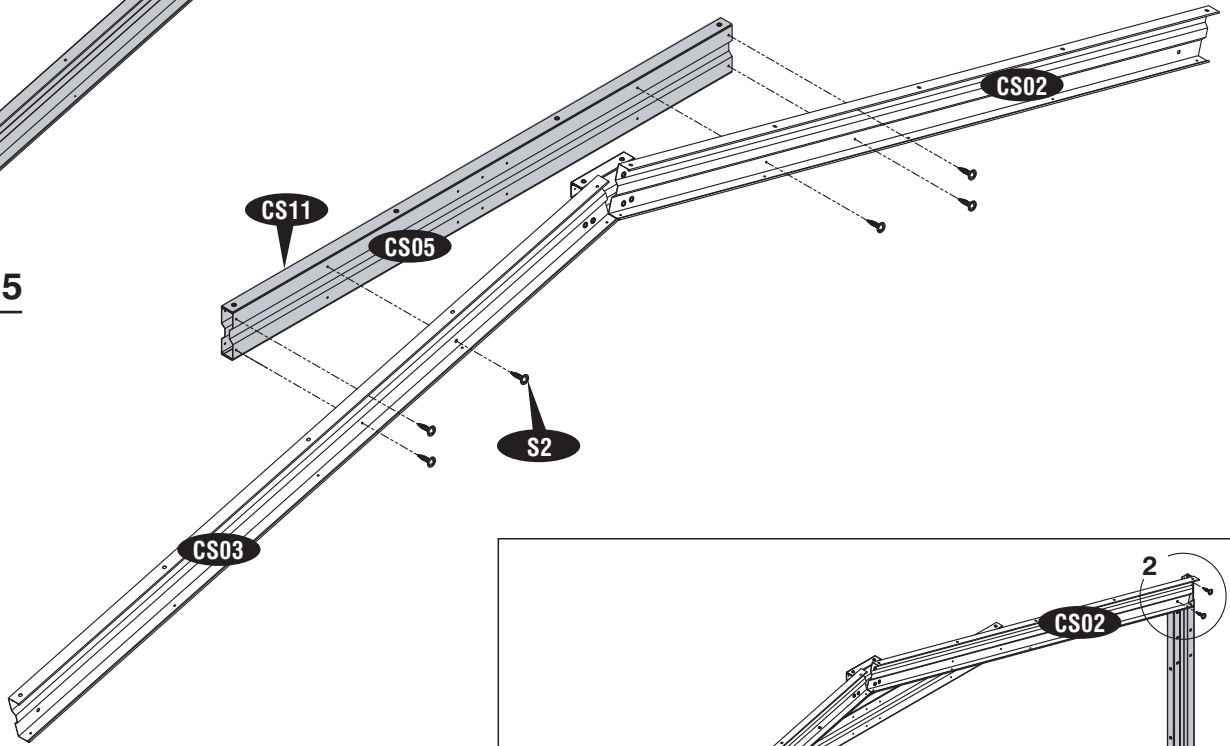


IMPORTANT: USE HAND GLOVES TO PREVENT INJURY.

Step - 4



Step - 5



Step - 6

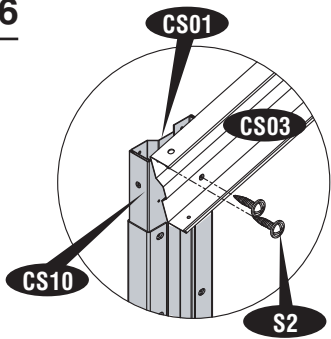


Fig.1

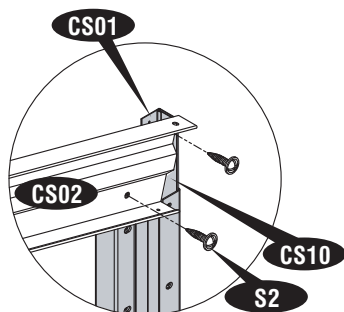
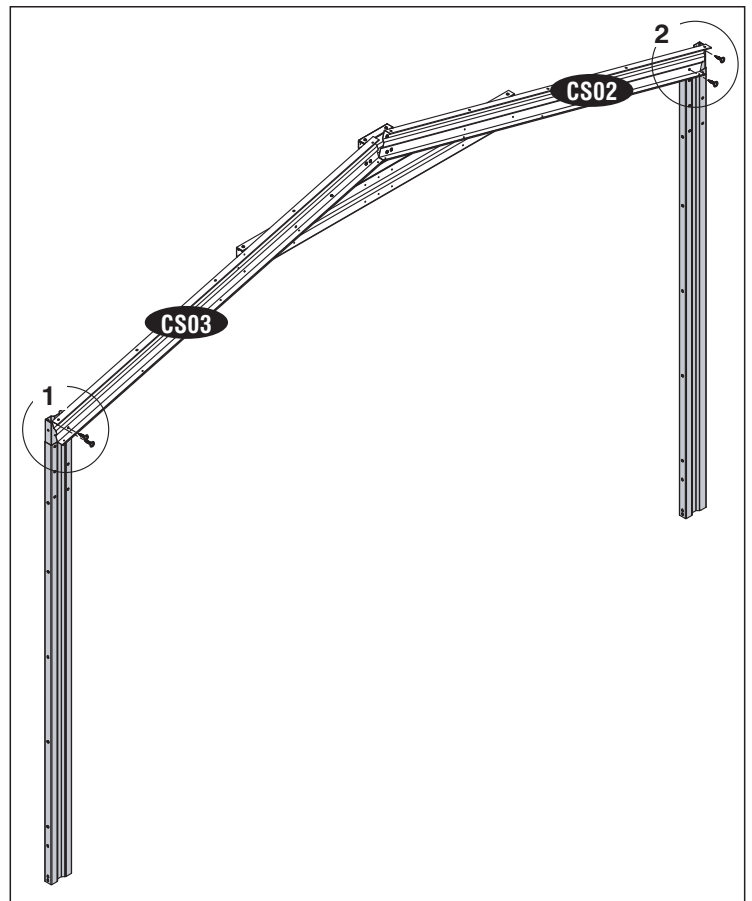


Fig.2



IMPORTANT: USE HAND GLOVES TO PREVENT INJURY.

Step -7

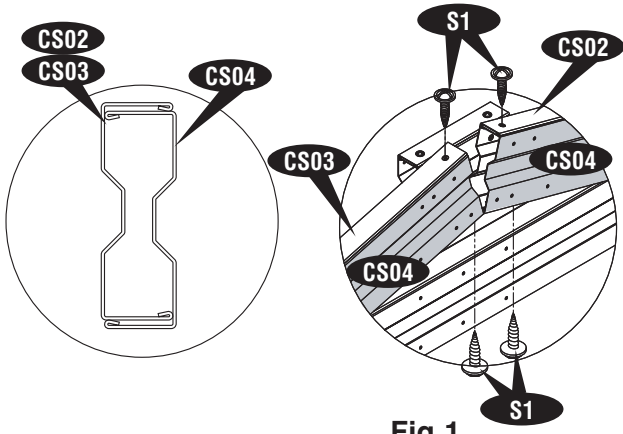


Fig.1

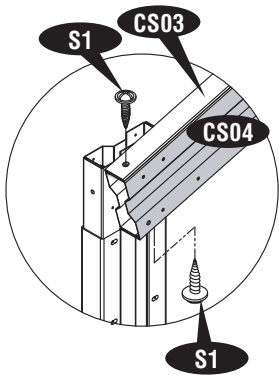


Fig.2

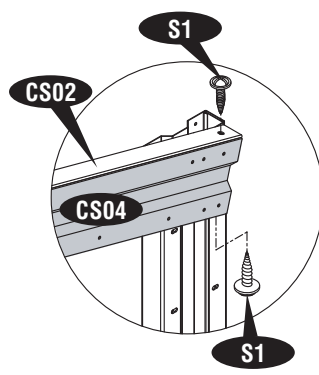
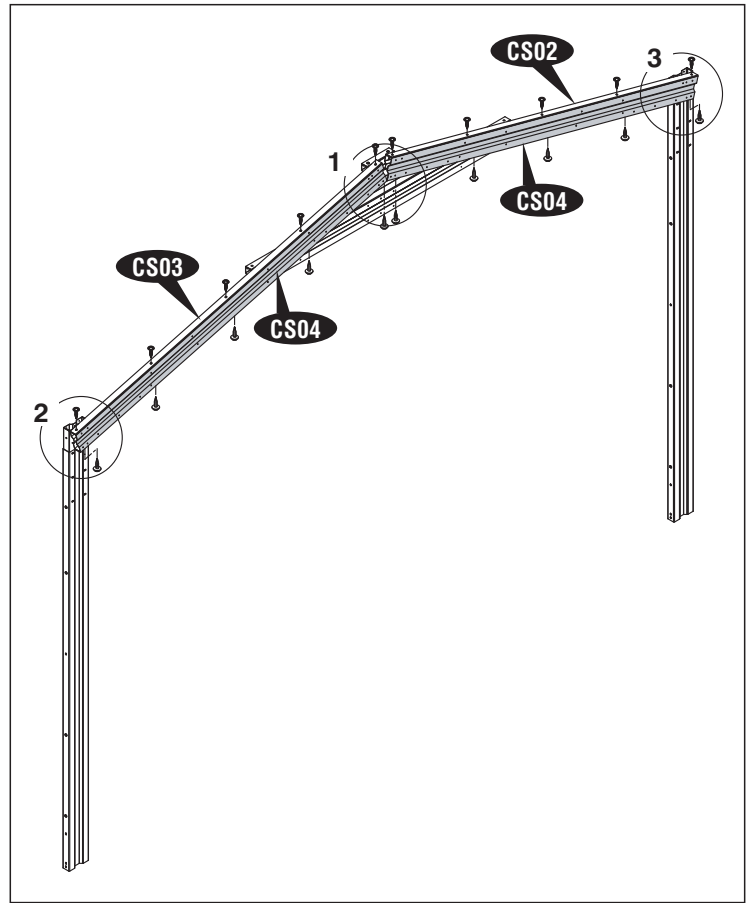


Fig.3



Step -8

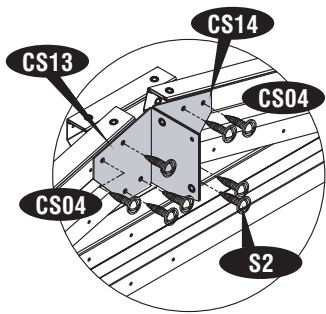
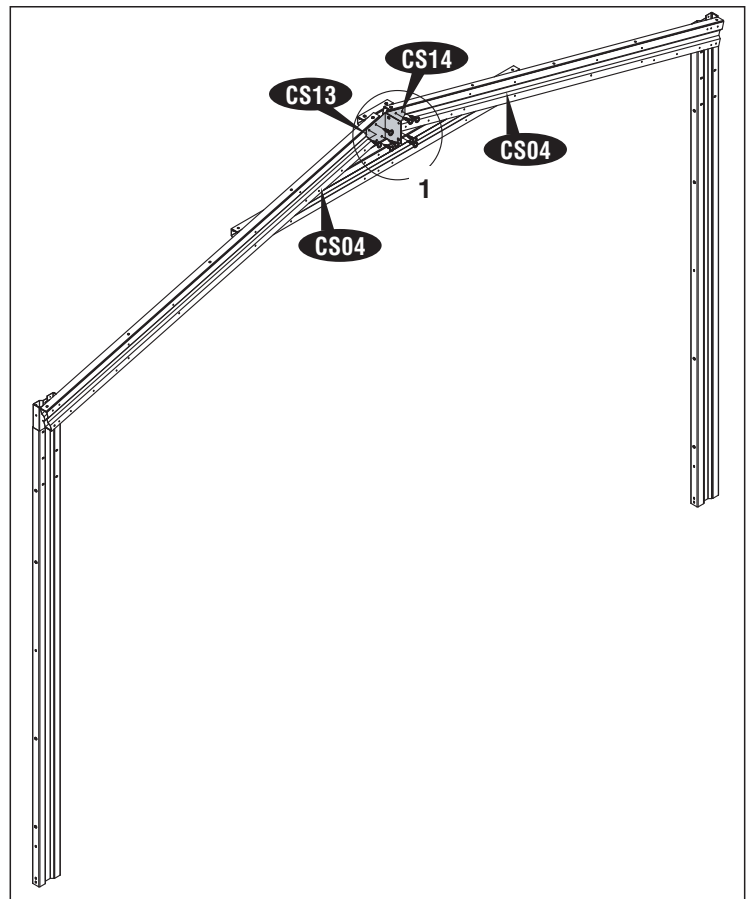


Fig.1



Step -9

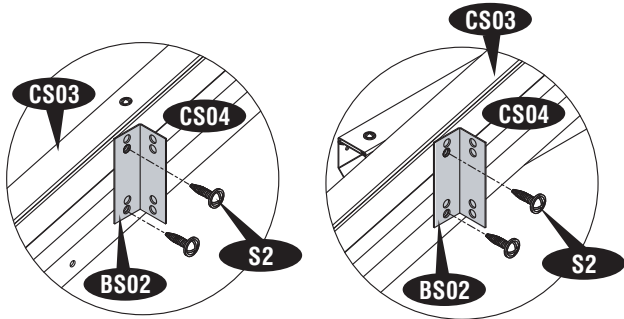


Fig.1

Fig.2

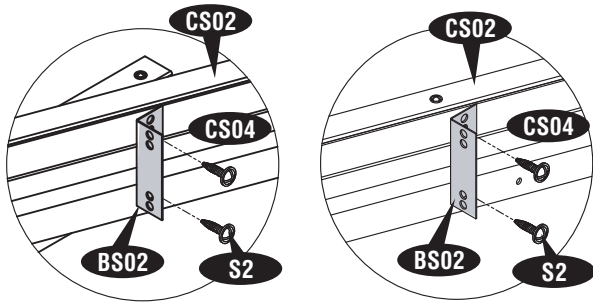
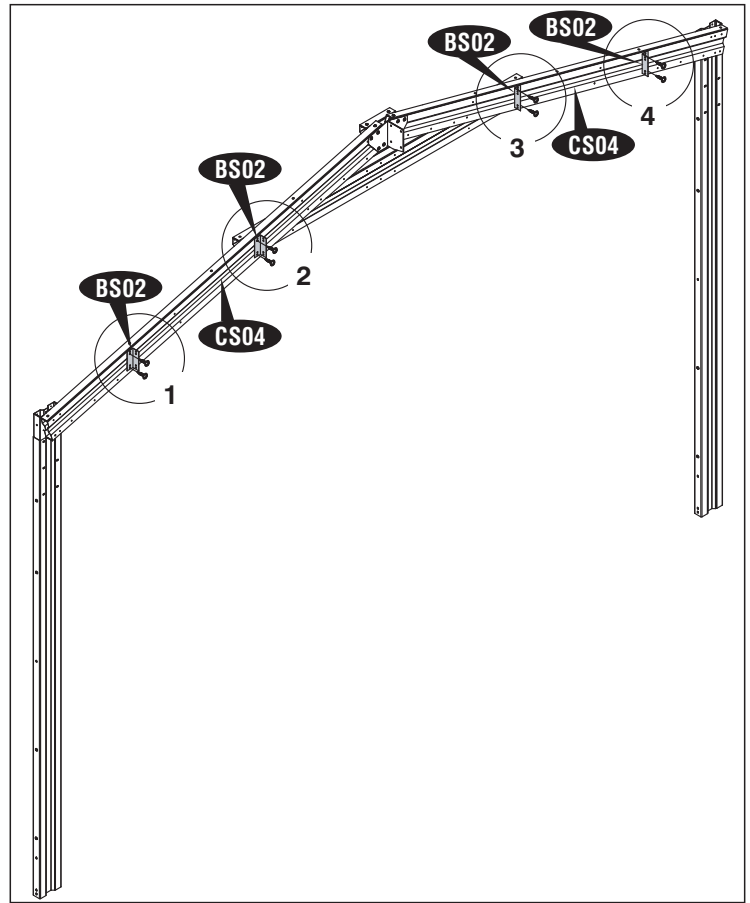


Fig.3

Fig.4



Step -10

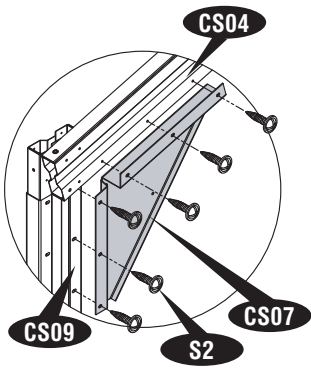


Fig.1

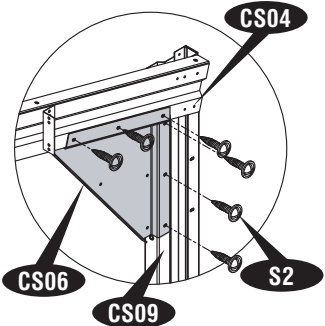
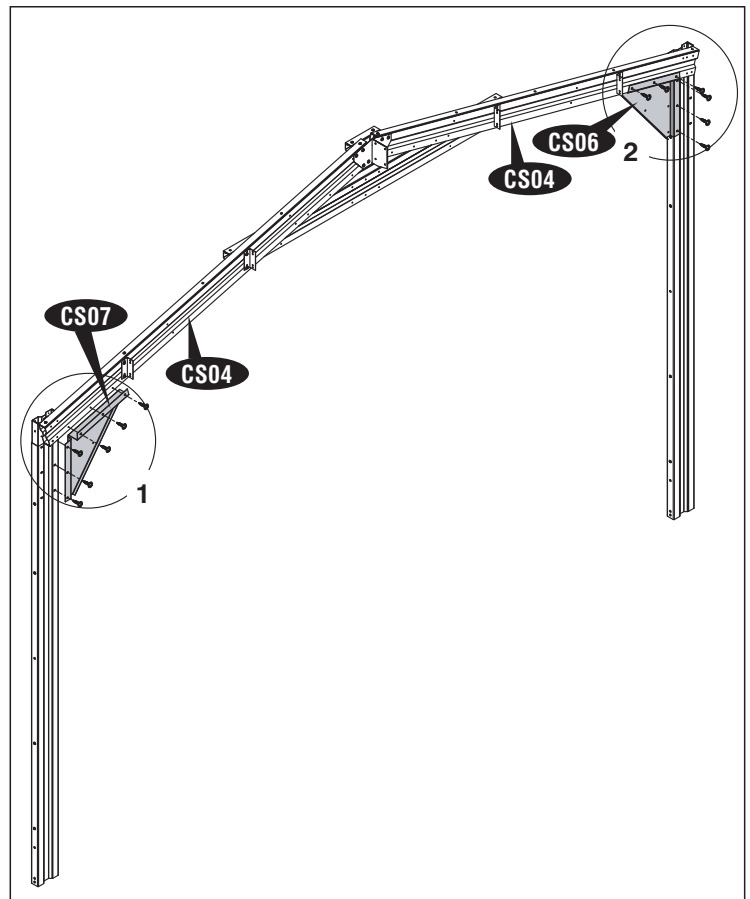
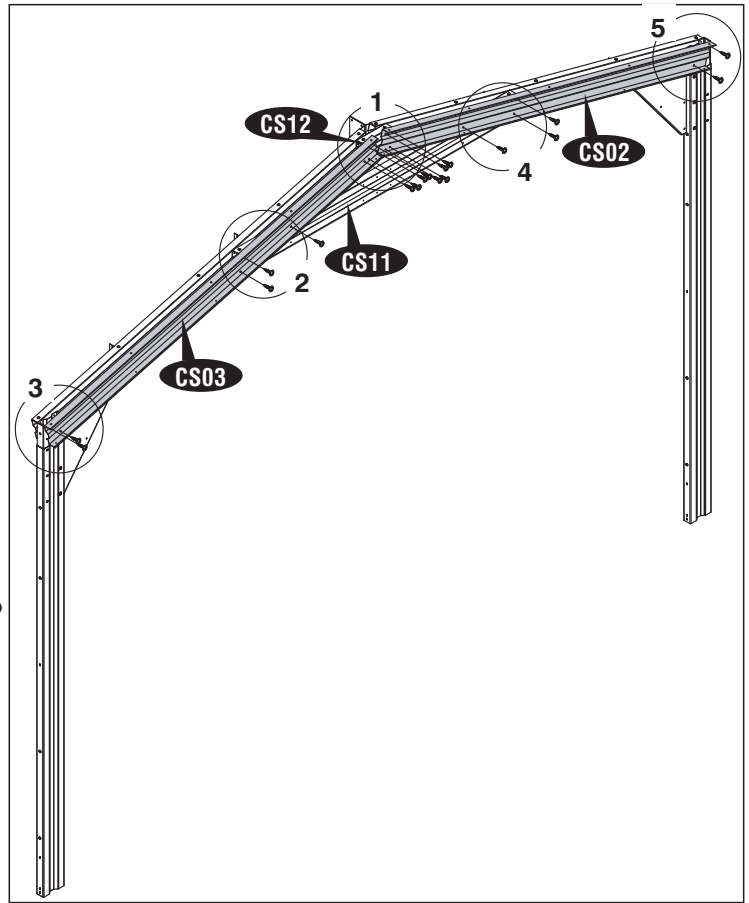
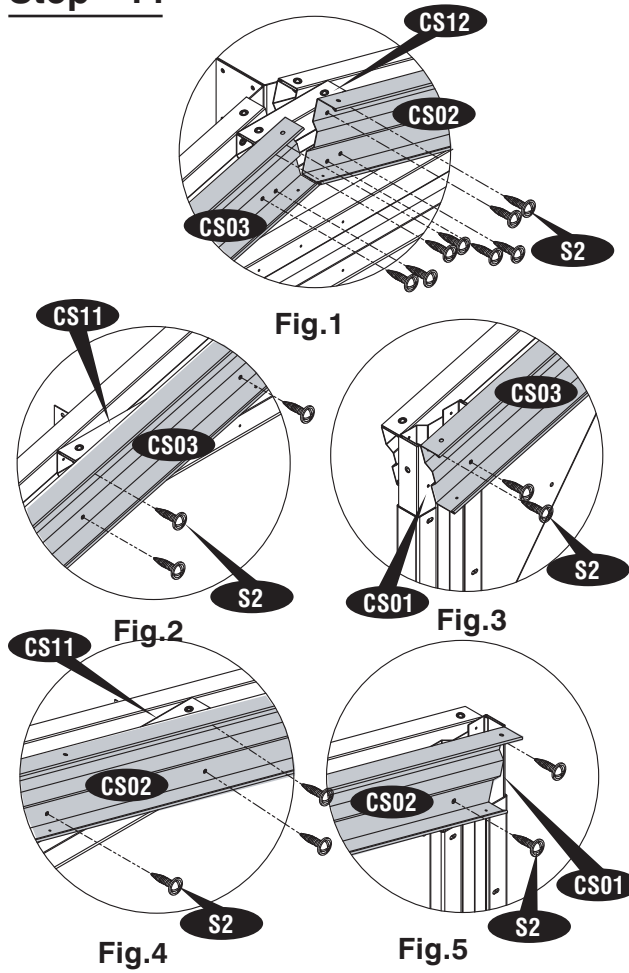


Fig.2

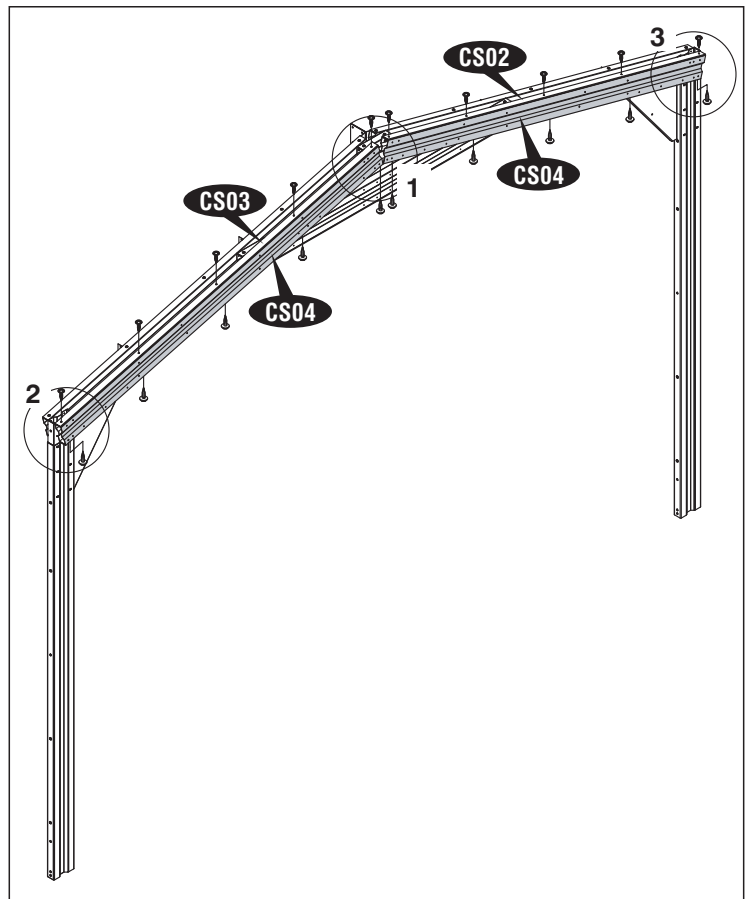
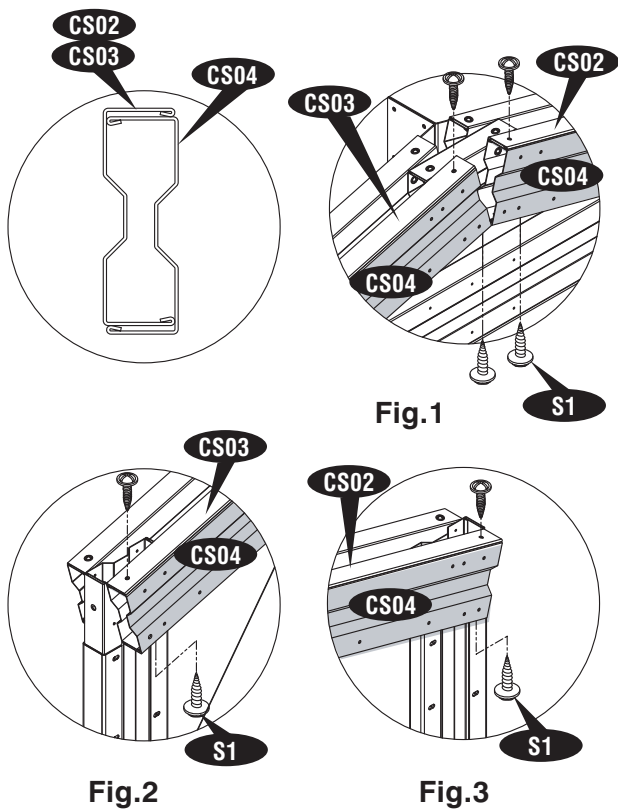


IMPORTANT: USE HAND GLOVES TO PREVENT INJURY.

Step - 11



Step - 12



Step - 13

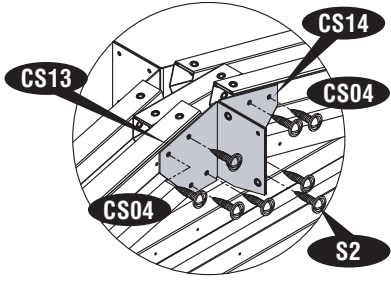
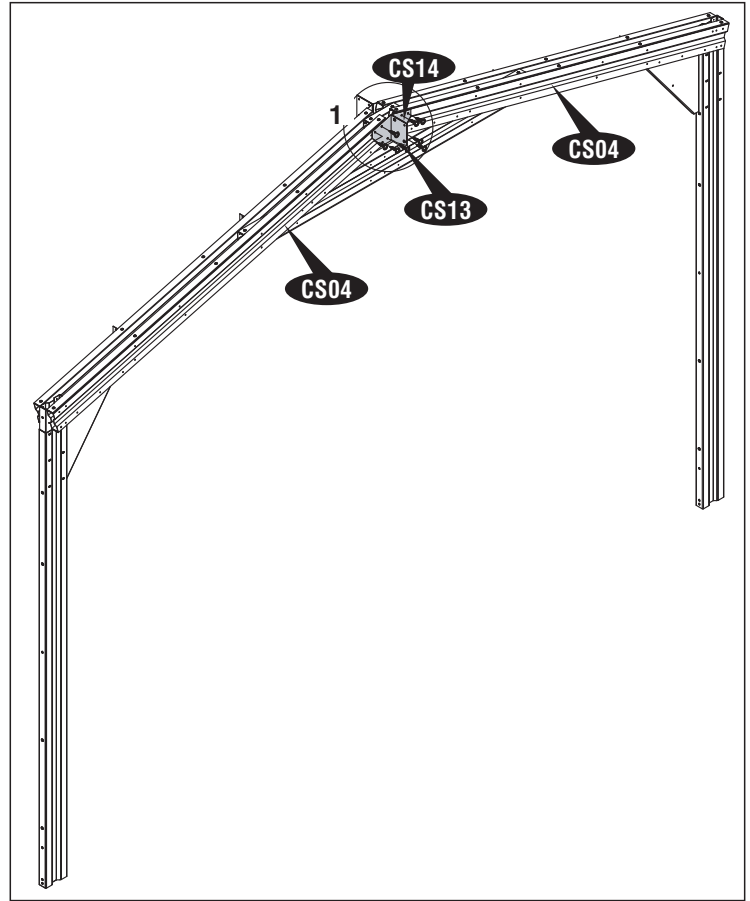


Fig.1



Step - 14

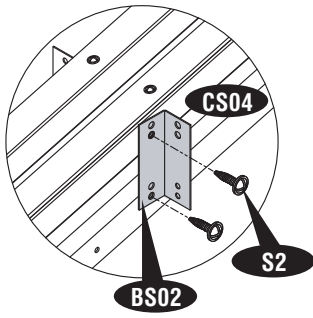


Fig.1

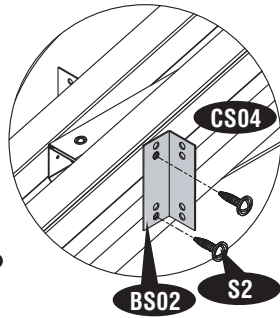


Fig.2

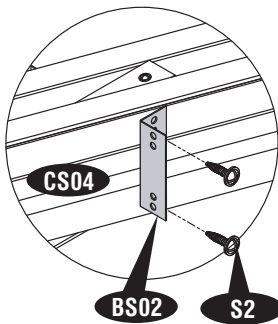


Fig.3

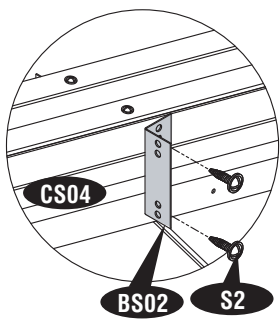
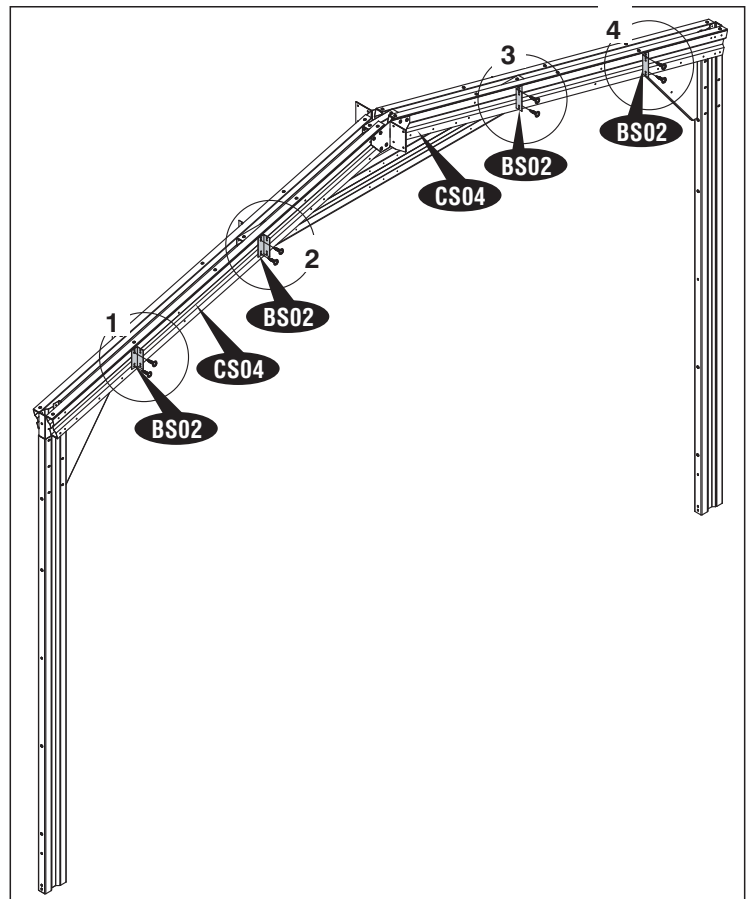


Fig.4



IMPORTANT: USE HAND GLOVES TO PREVENT INJURY.

Step - 15

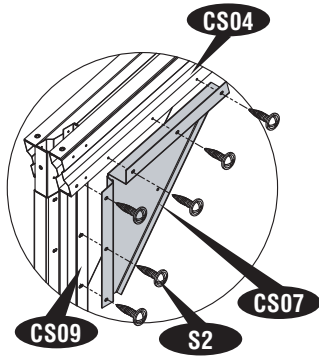


Fig.1

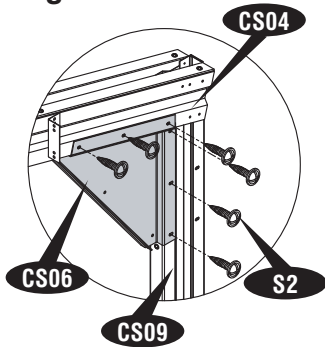
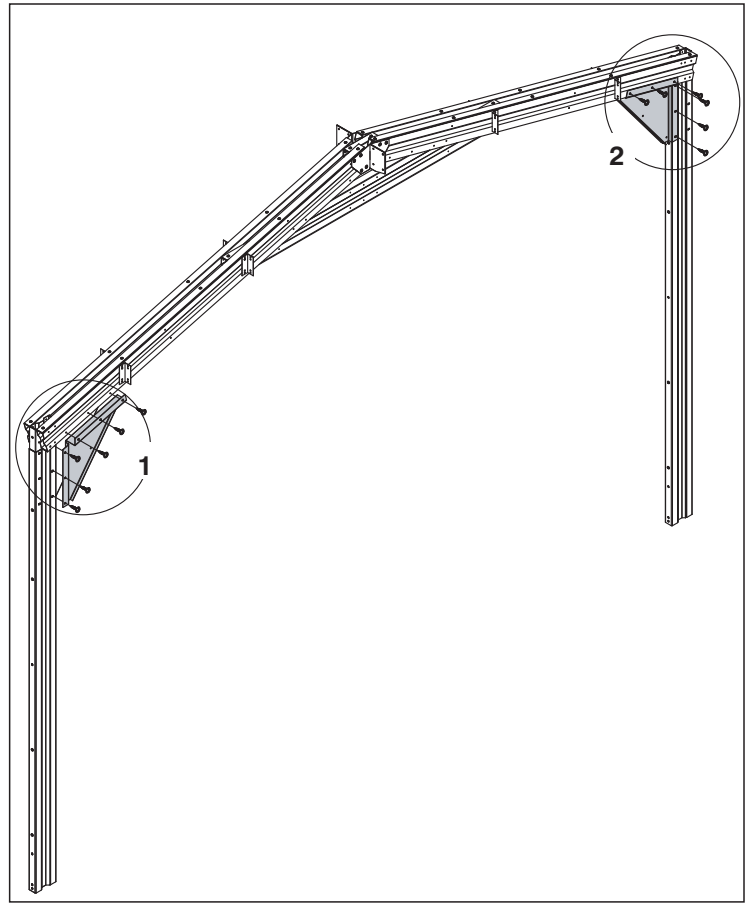


Fig.2



Step - 16

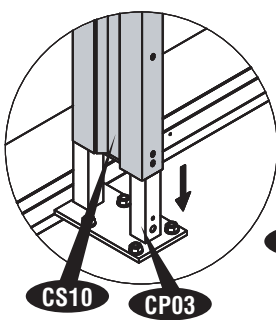


Fig.1

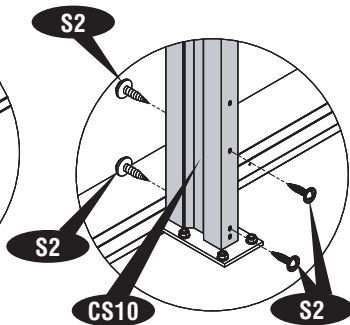


Fig.2

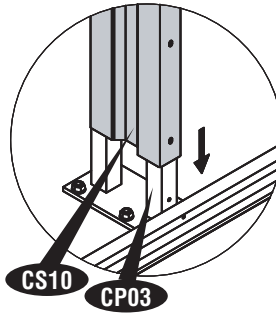


Fig.3

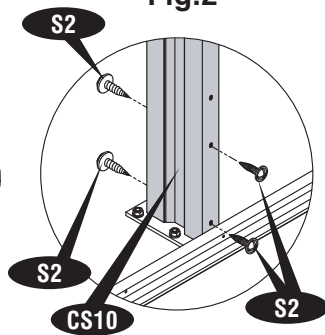
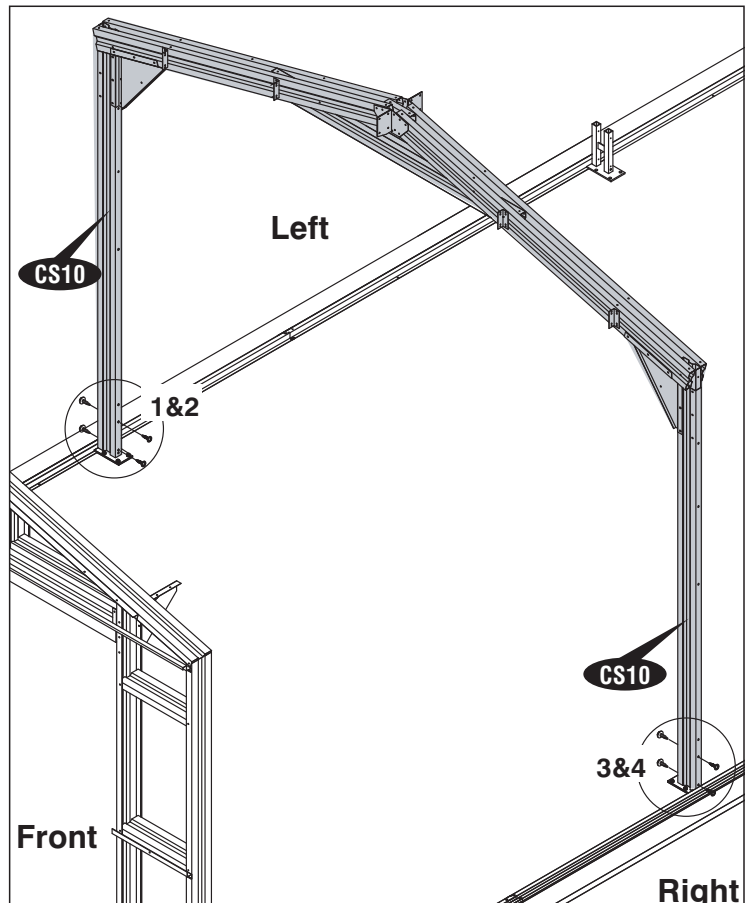


Fig.4



Step - 17

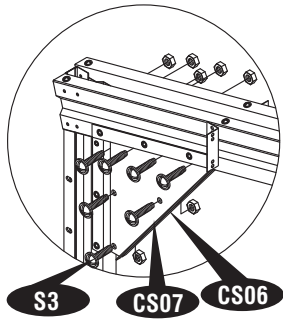


Fig.1

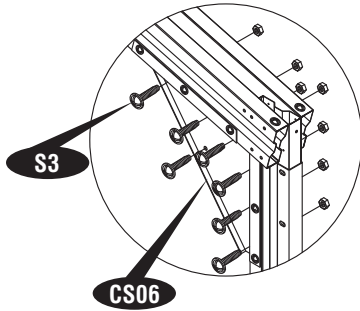
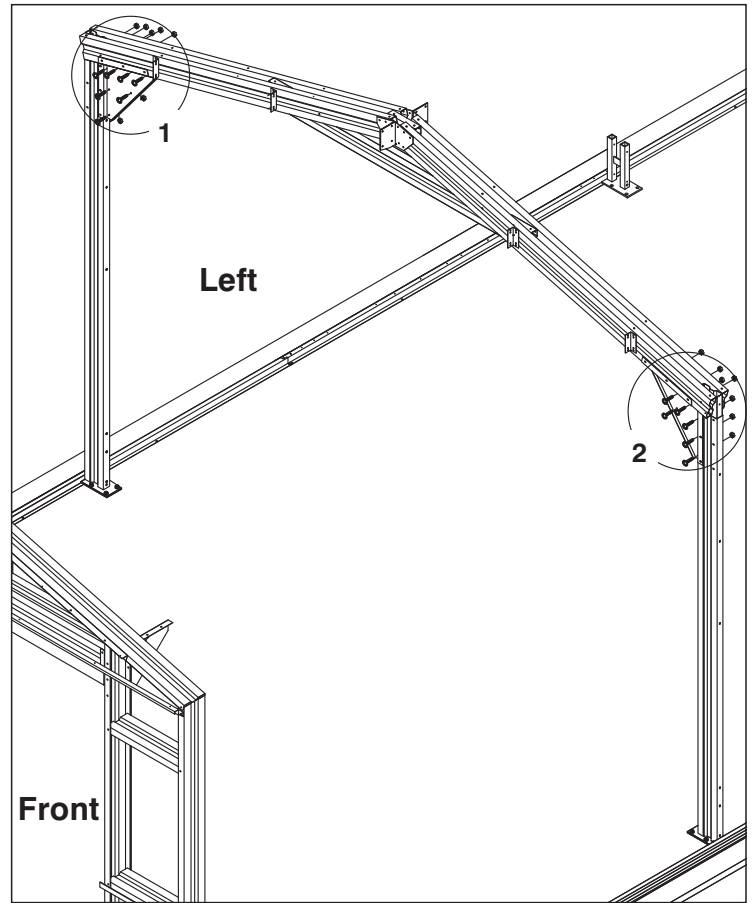


Fig.2



Step - 18

Follow steps 1-15 & prepare another center structure assembly & Assemble with Column support plate (CP03). Use (S2) Screws.

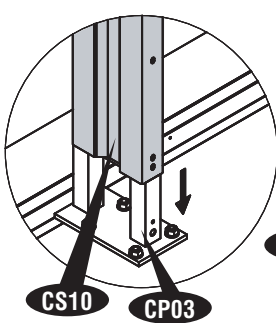


Fig.1

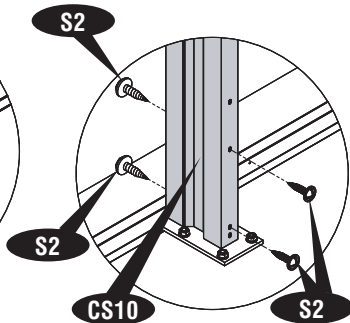


Fig.2

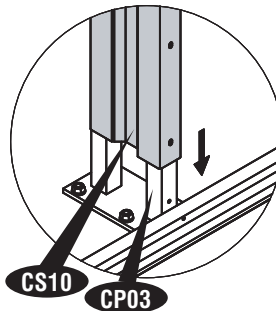


Fig.3

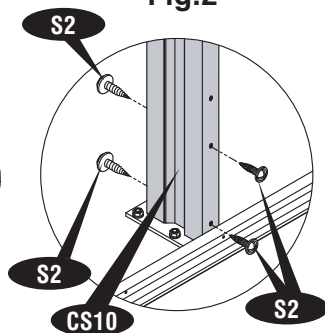
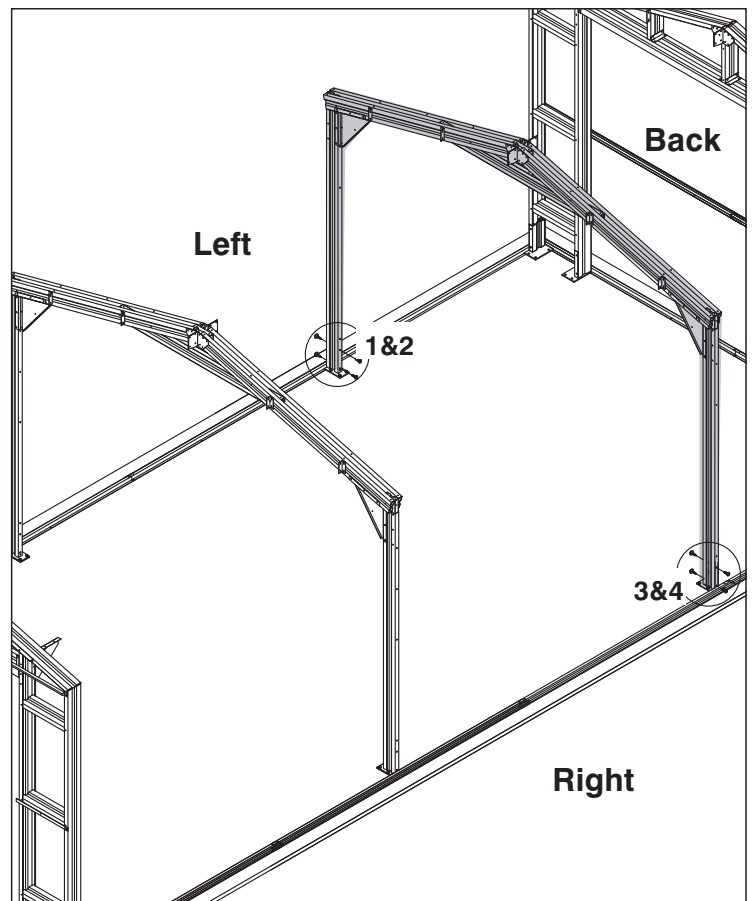


Fig.4



Step - 19

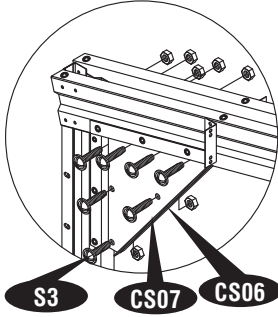


Fig.1

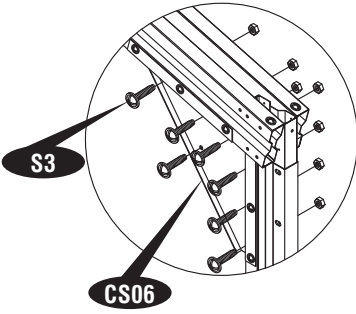
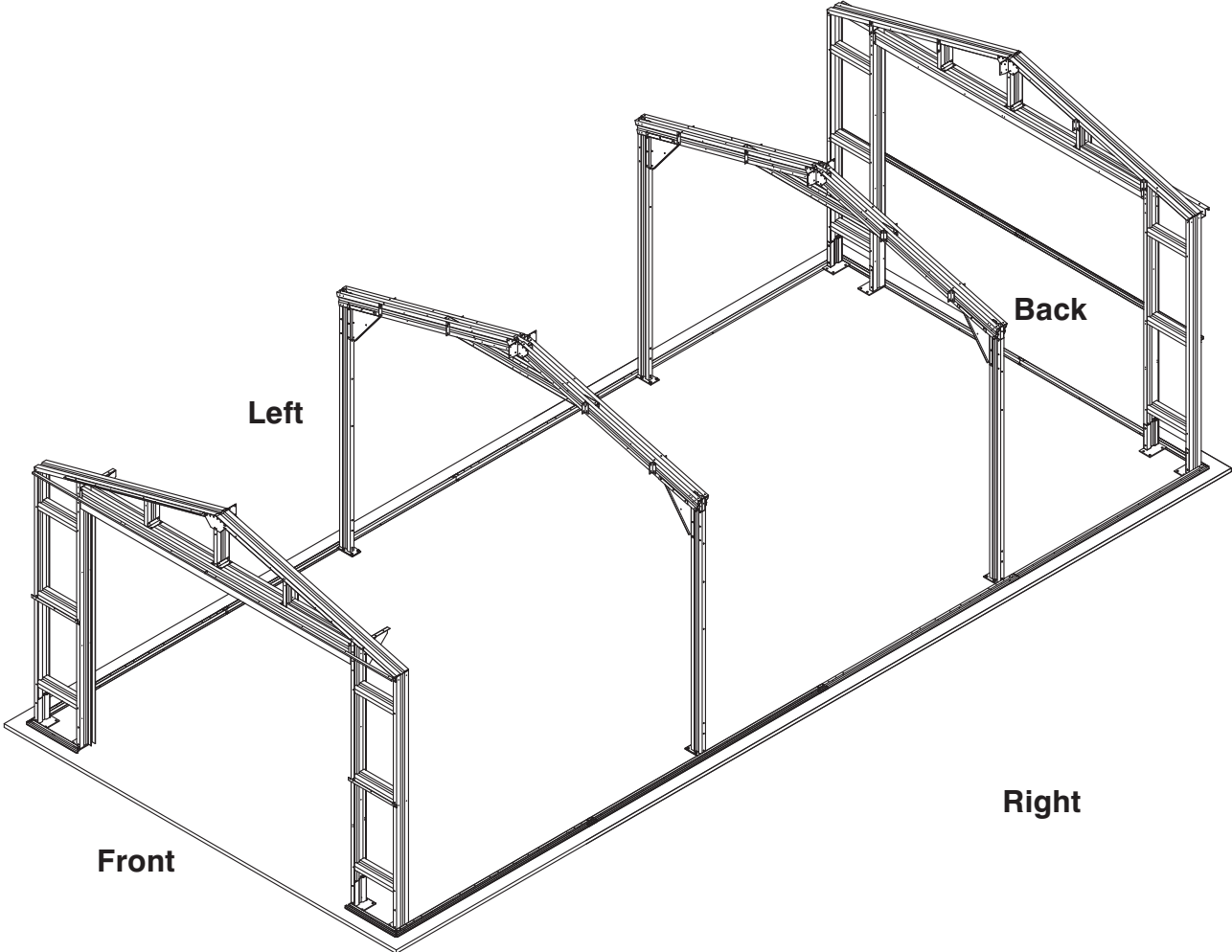
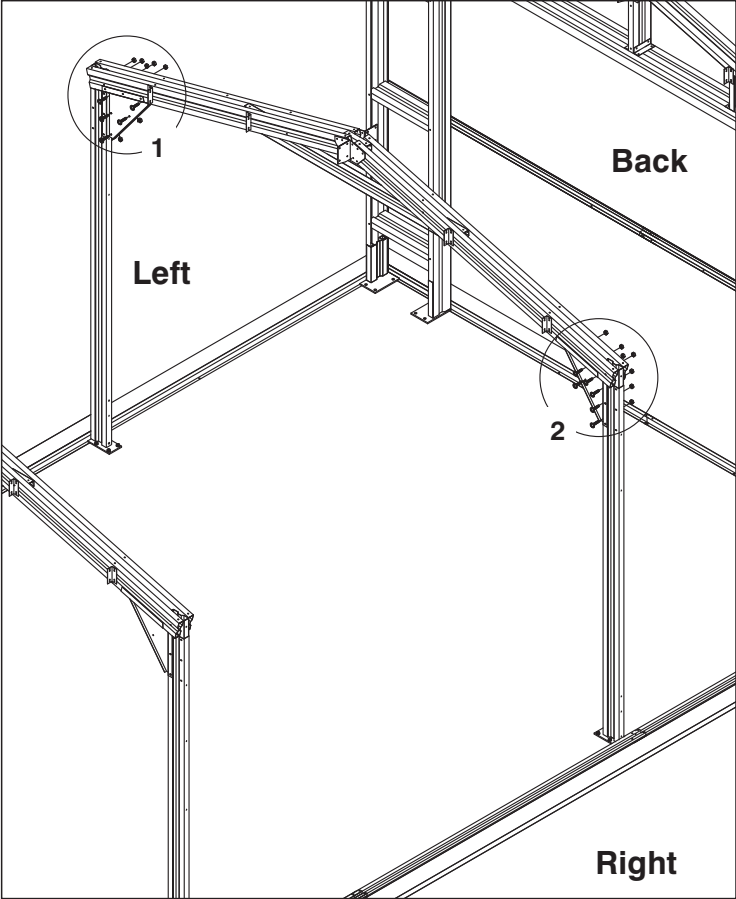


Fig.2

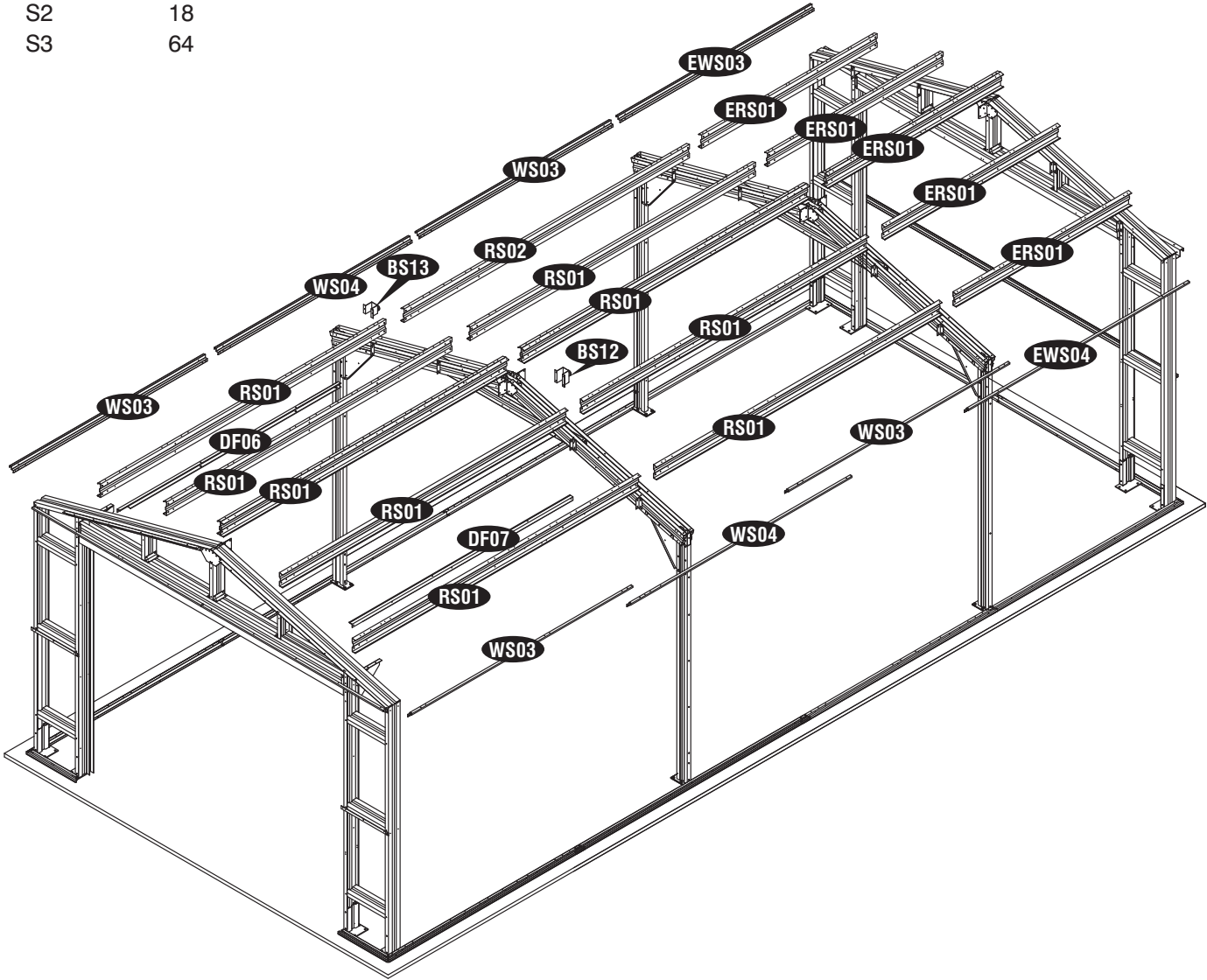


IMPORTANT: USE HAND GLOVES TO PREVENT INJURY.

D. Roof Structure Assembly

Parts Needed: Parts Needed for each extension:

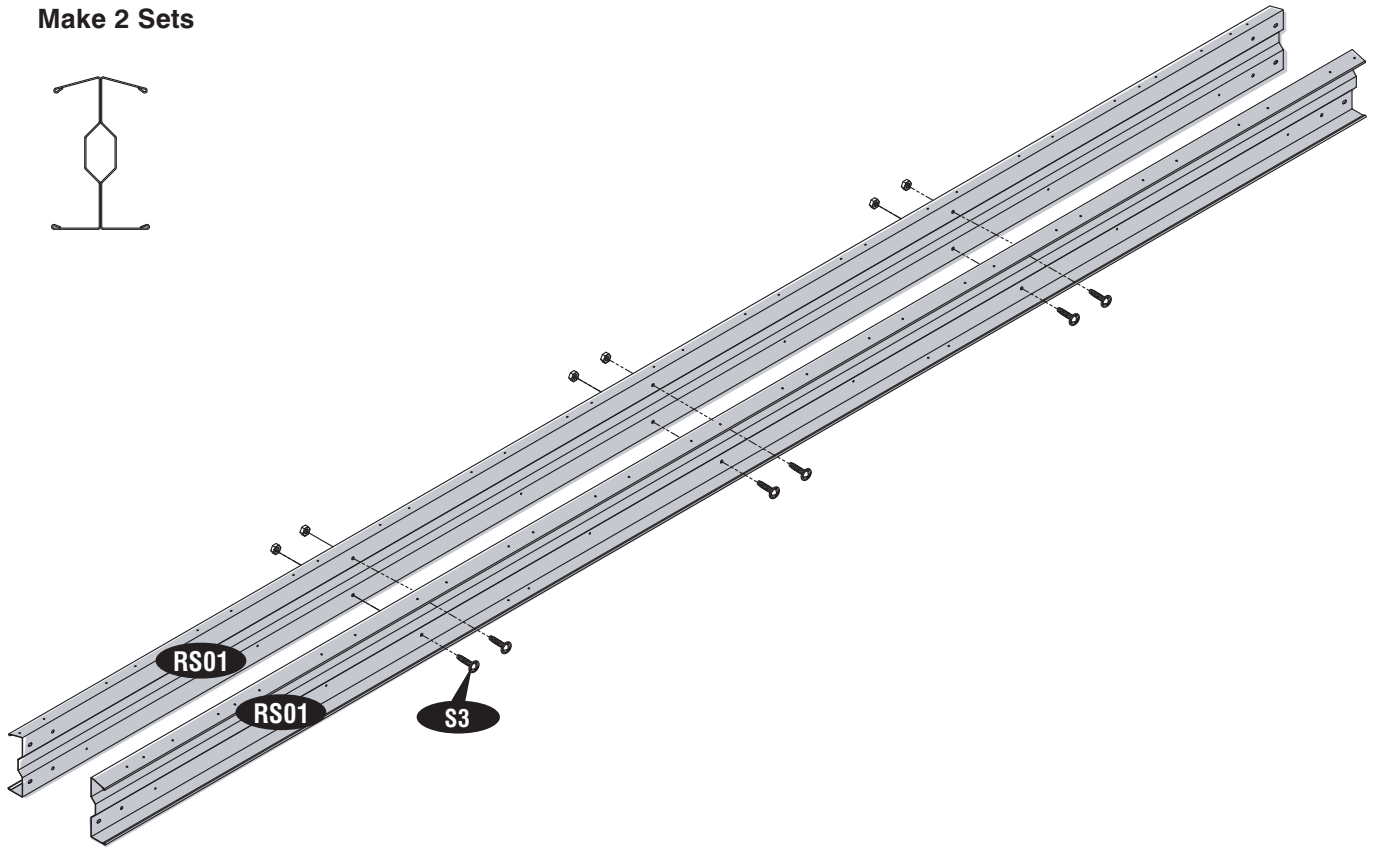
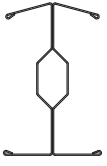
<u>Code</u>	<u>Qty</u>	<u>Code</u>	<u>Qty</u>
RS01	11	ERS01	6
RS02	1	EWS03	1
DF06	1	EWS04	1
DF07	1	S1	6
WS03	4	S2	2
WS04	2	S3	28
BS12	1		
BS13	1		
GW	3		
S1	20		
S2	18		
S3	64		



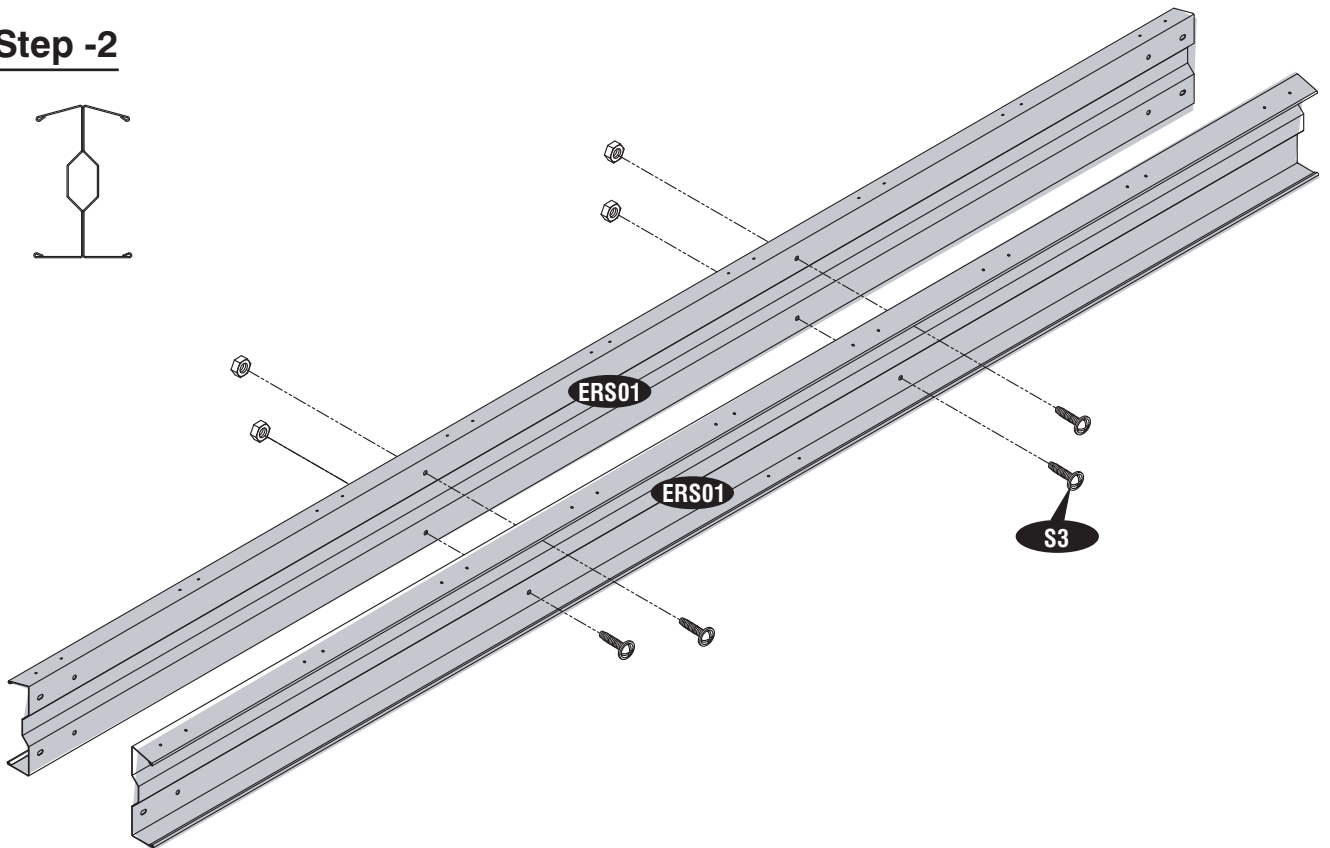
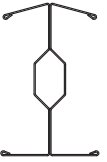
IMPORTANT: USE HAND GLOVES TO PREVENT INJURY.

Step -1

Make 2 Sets



Step -2



Step -3

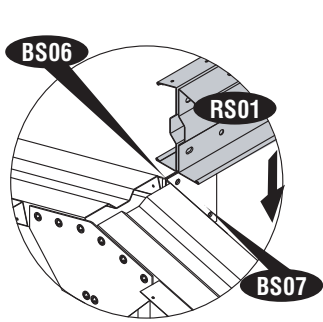
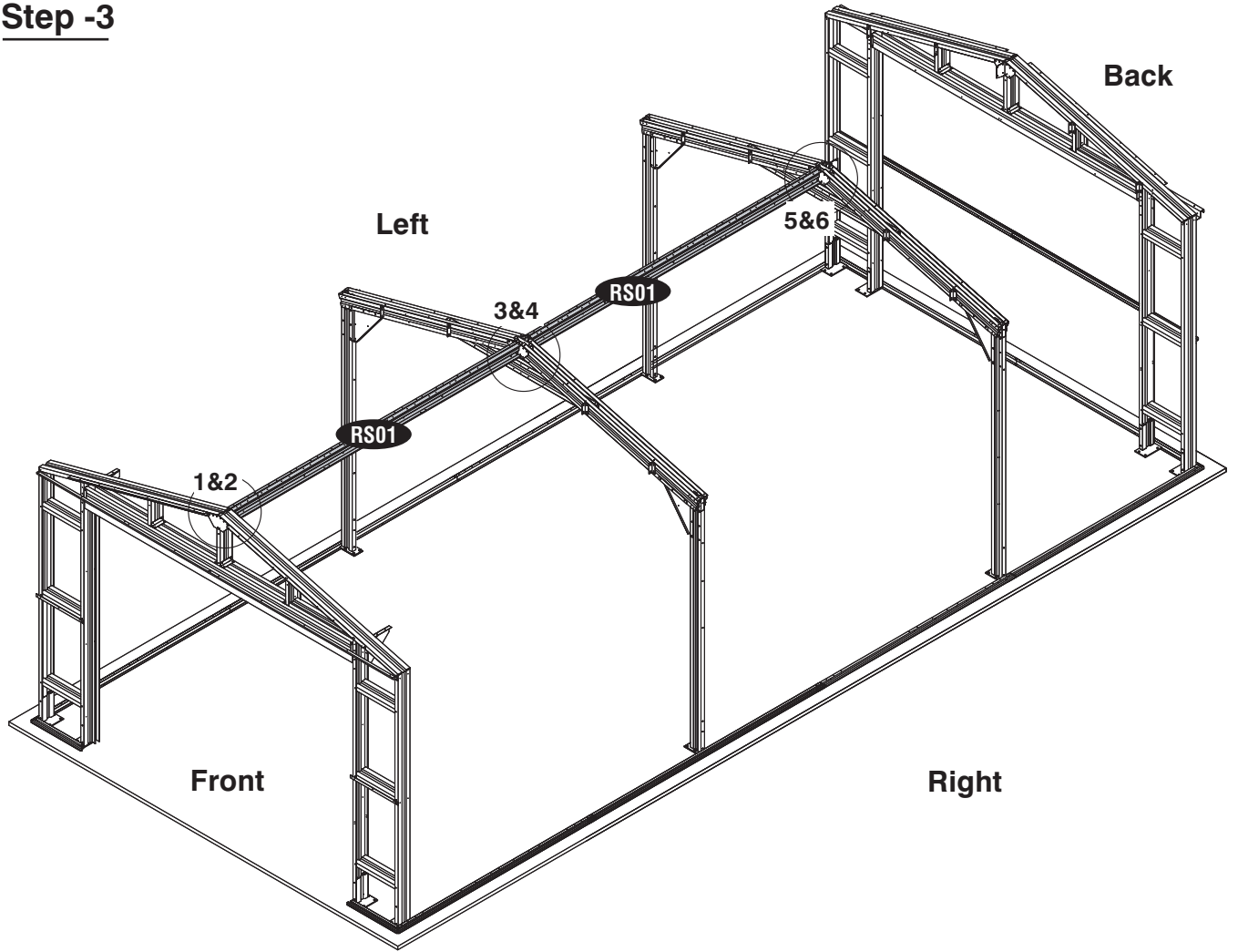


Fig.1

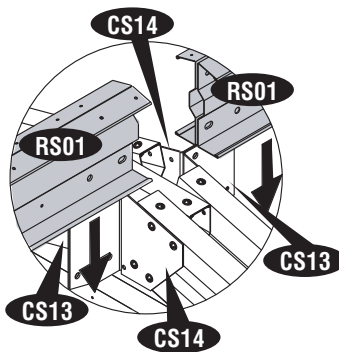


Fig.3

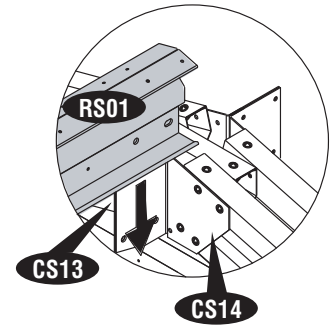


Fig.5

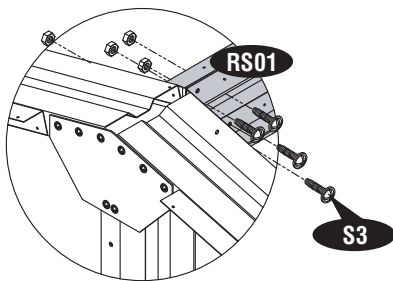


Fig.2

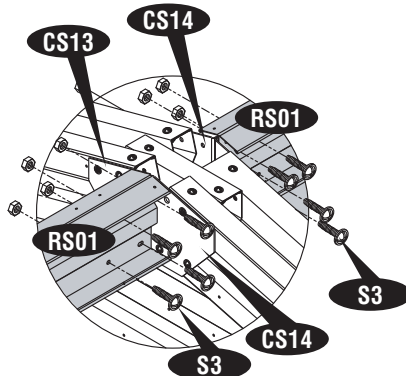


Fig.4

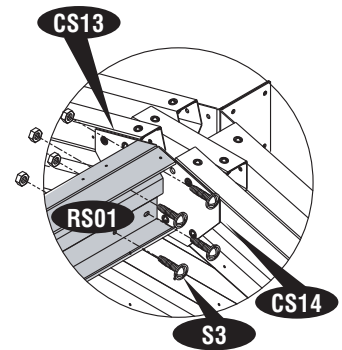


Fig.6

IMPORTANT: USE HAND GLOVES TO PREVENT INJURY.

Step -4

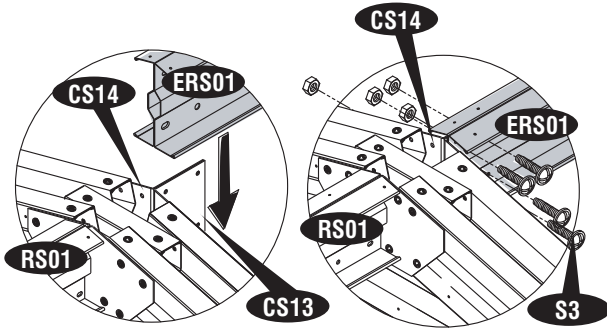


Fig.1

Fig.2

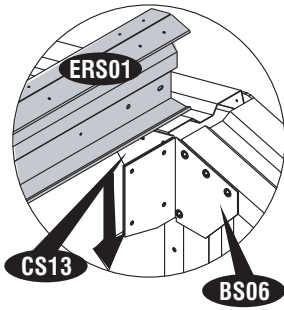


Fig.3

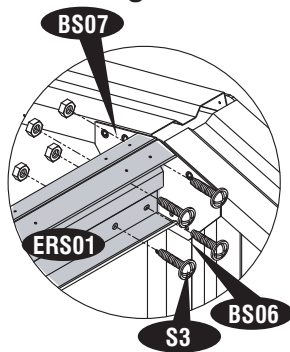
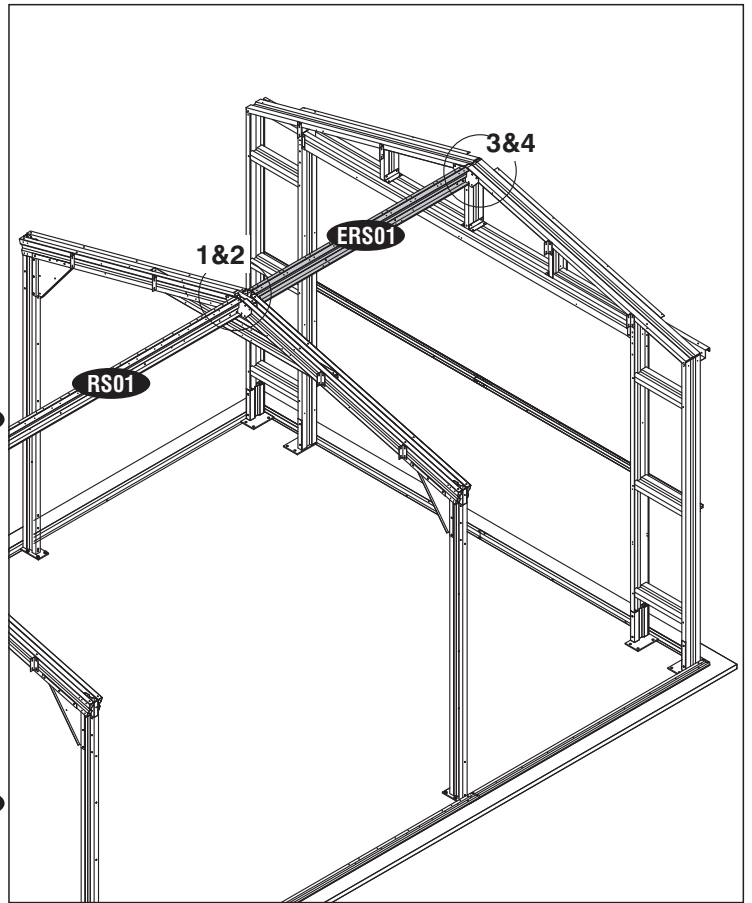


Fig.4



Step -5

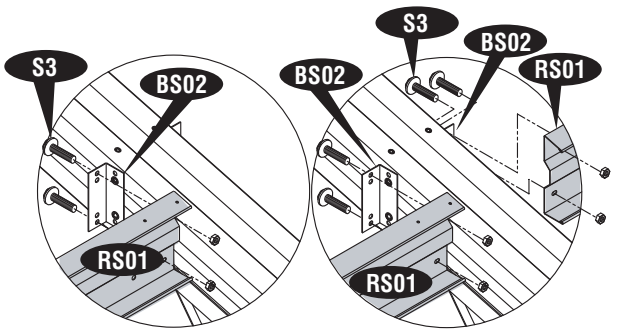


Fig.1

Fig.2

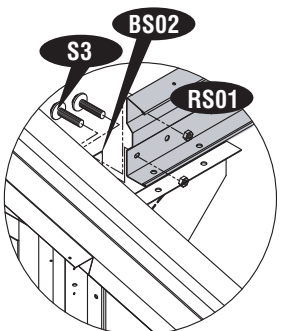


Fig.3

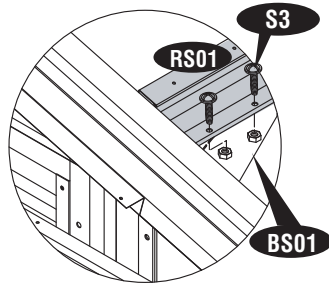
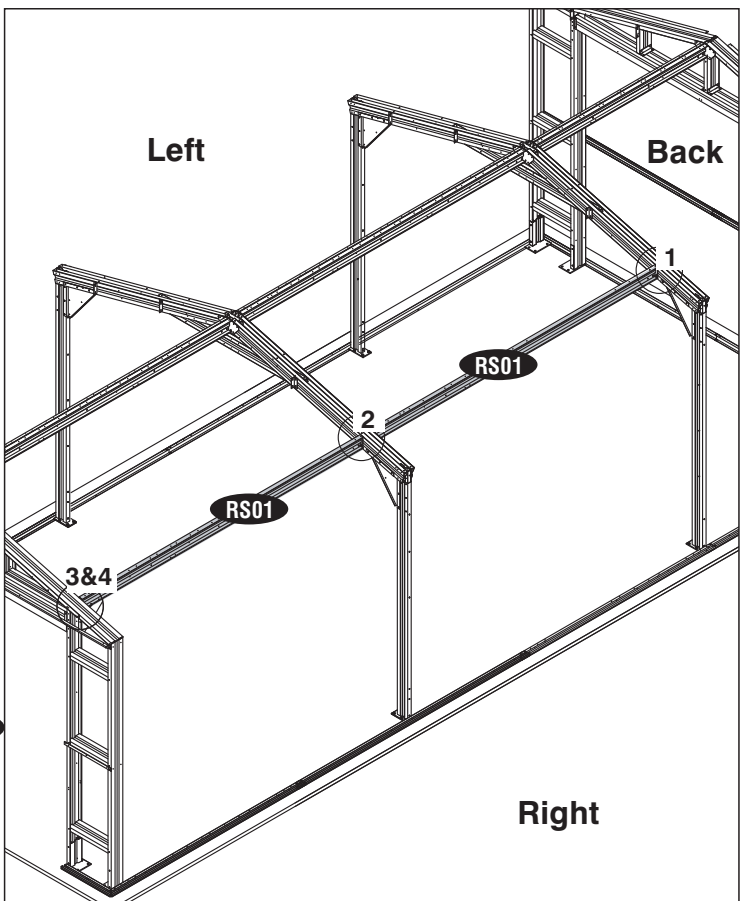


Fig.4



Step - 6

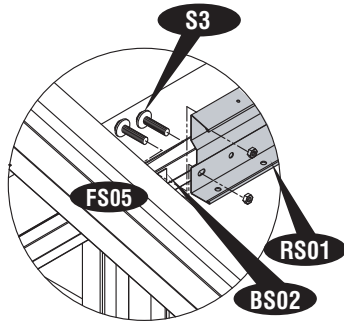


Fig.1

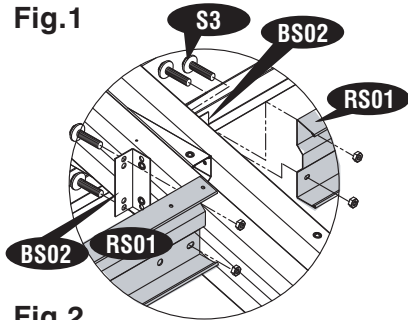


Fig.2

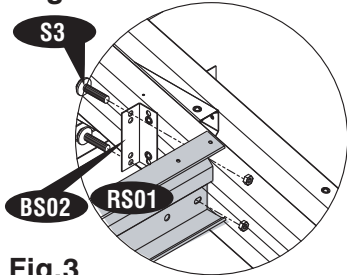
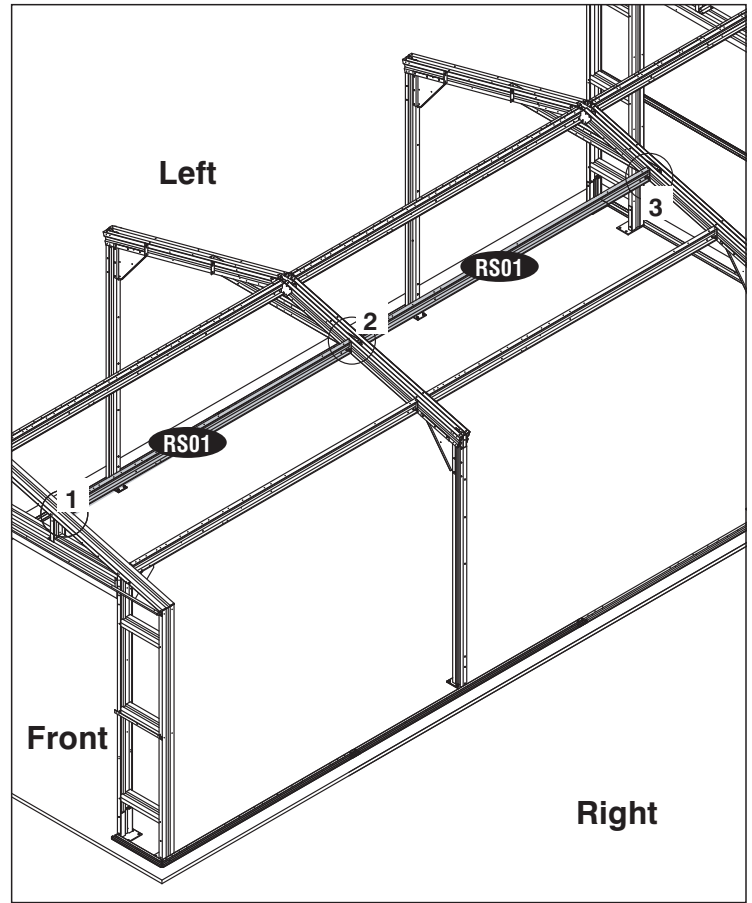


Fig.3



Step - 7

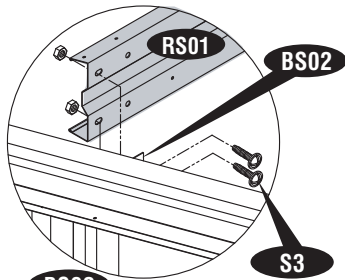


Fig.1

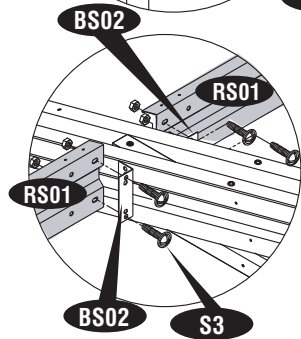


Fig.2

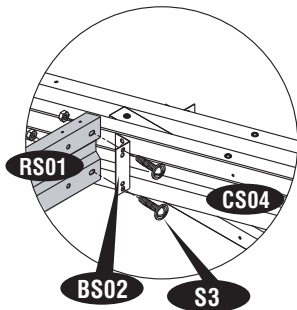
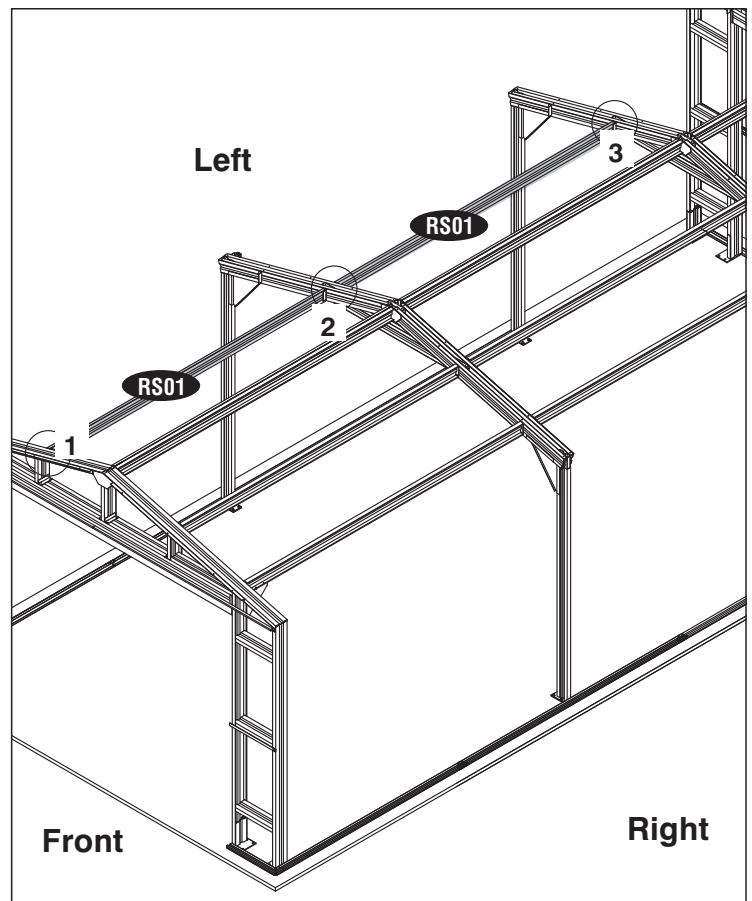
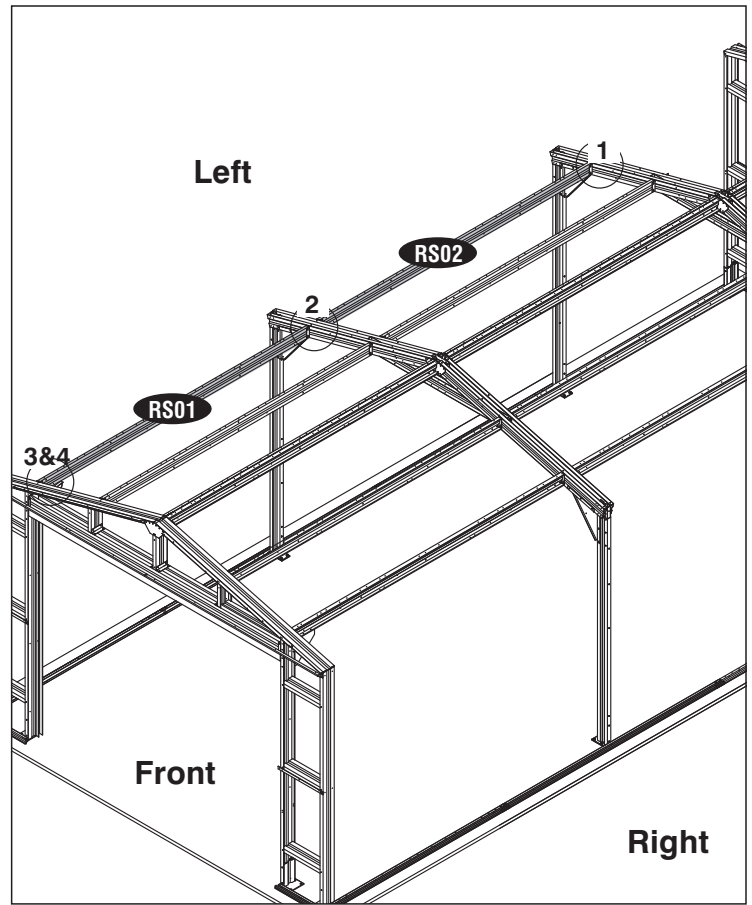
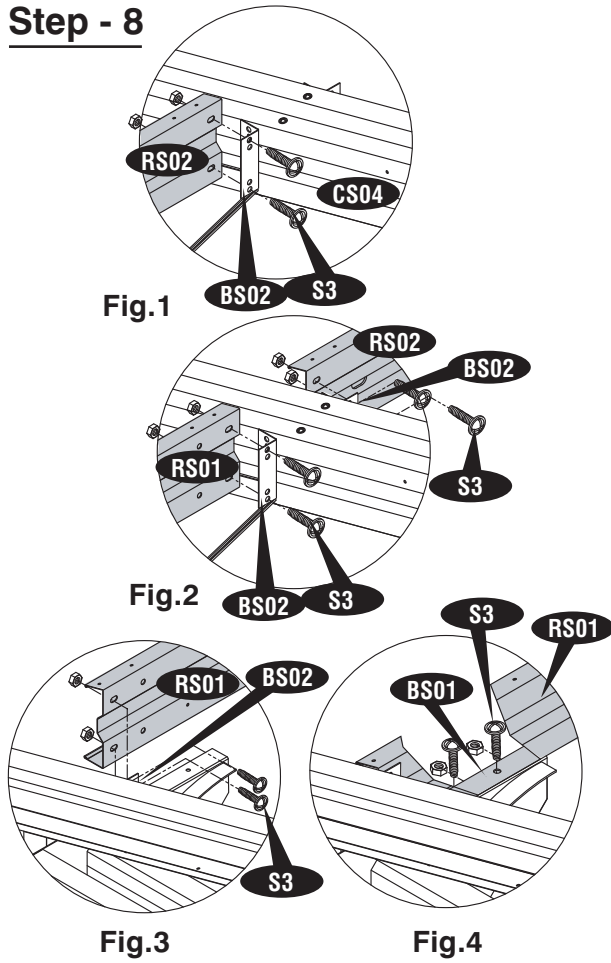


Fig.3

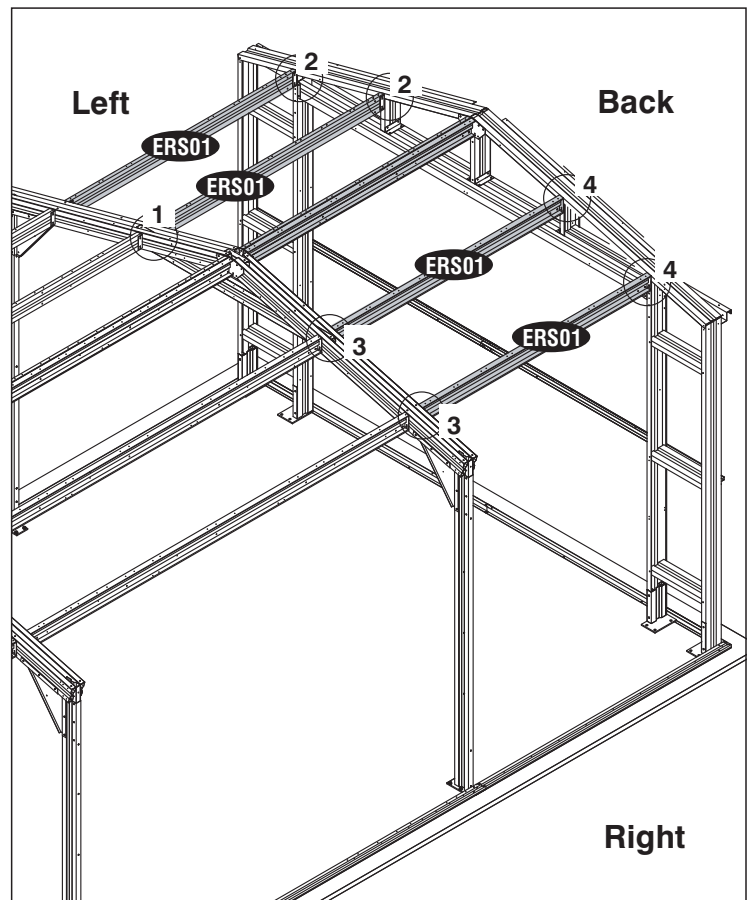
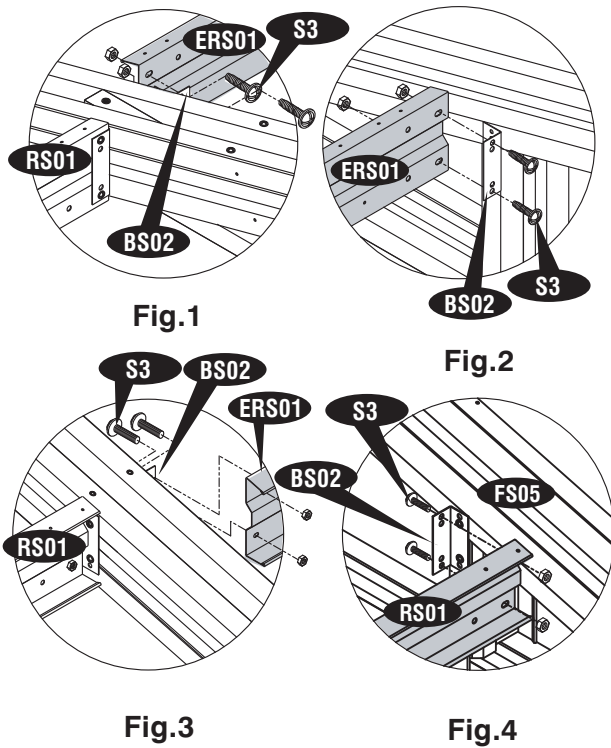


IMPORTANT: USE HAND GLOVES TO PREVENT INJURY.

Step - 8



Step -9



Step - 10

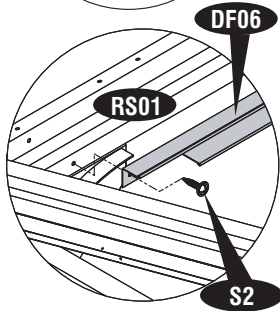
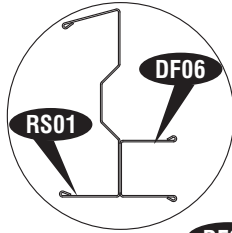


Fig.1

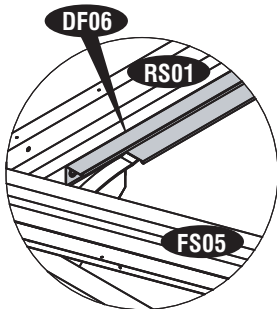


Fig.2

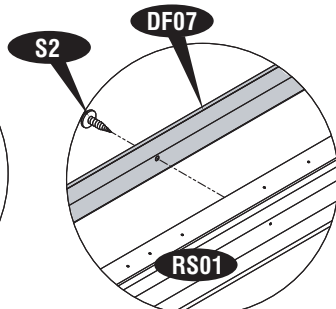
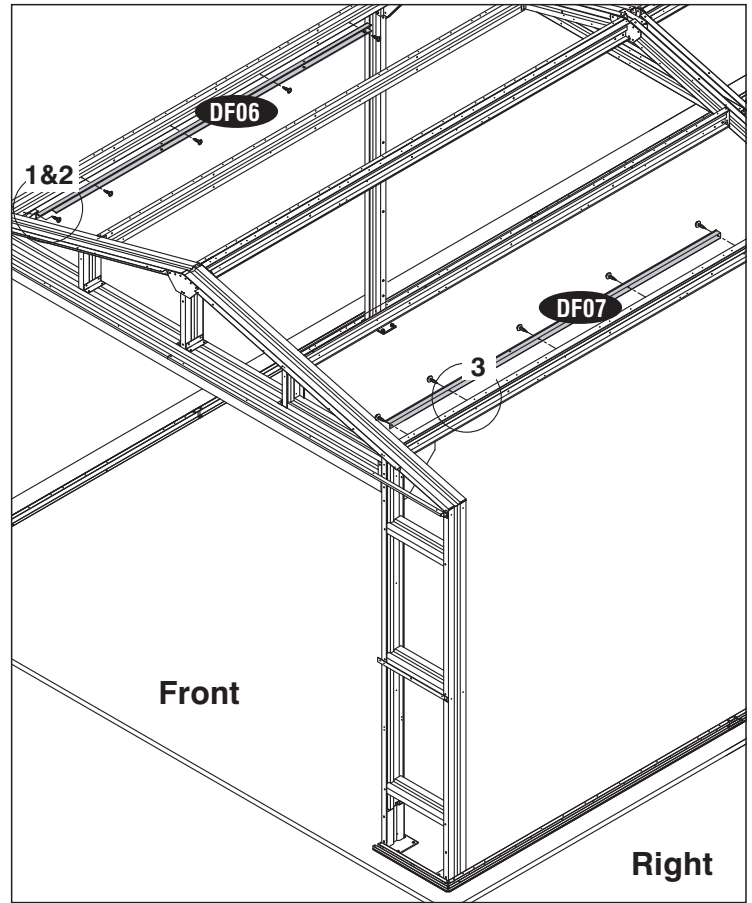


Fig.3



Step - 11

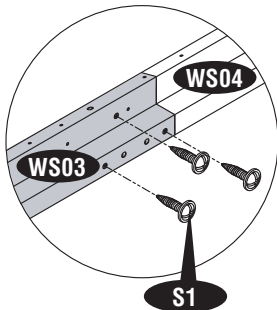


Fig.1

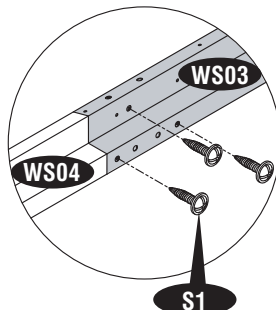


Fig.2

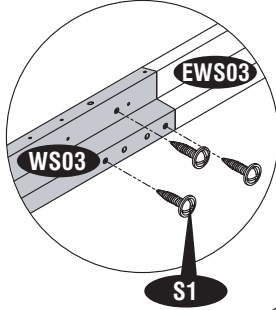
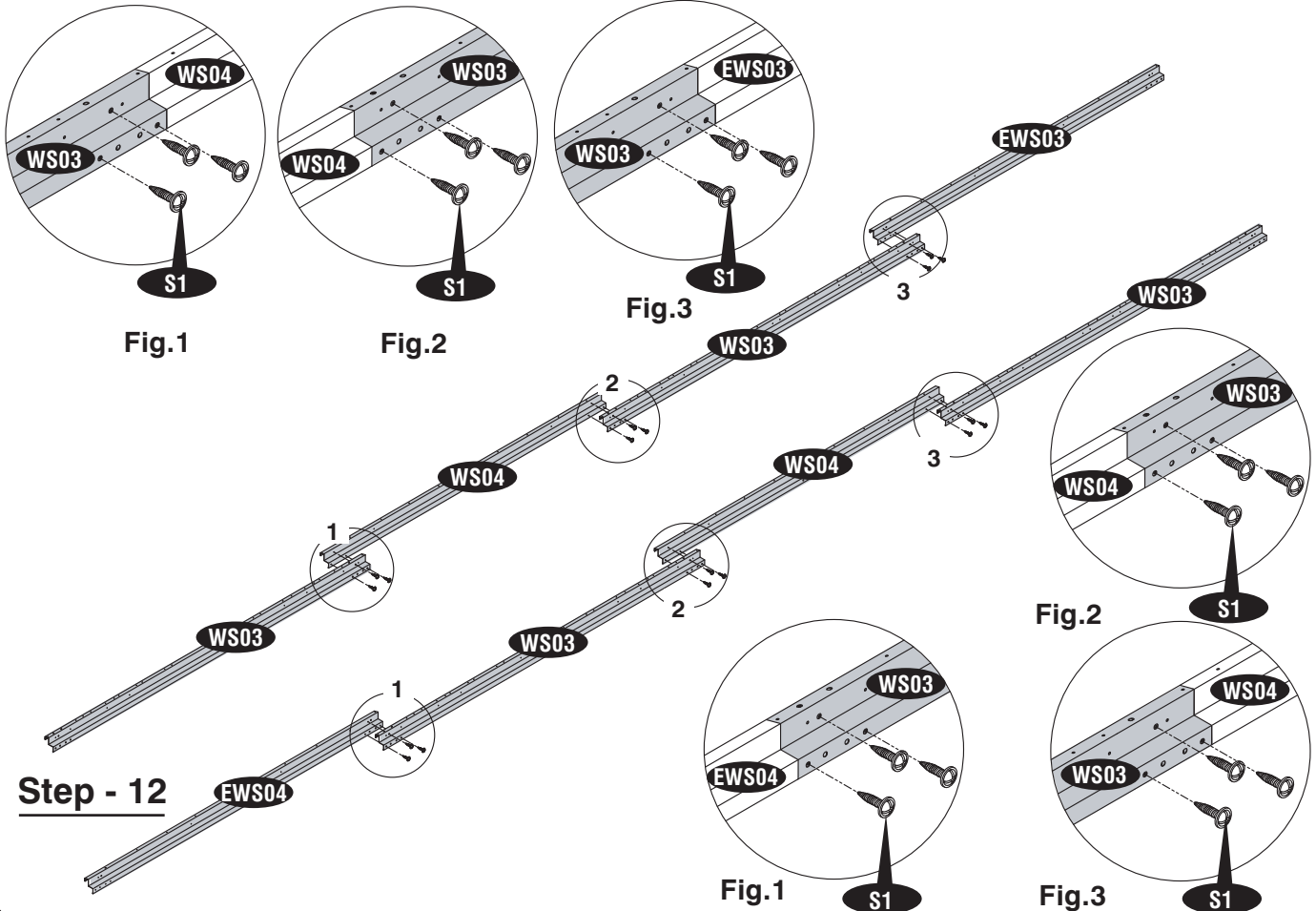


Fig.3



Step - 12

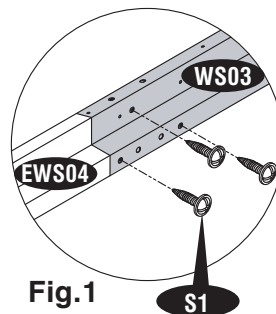


Fig.1

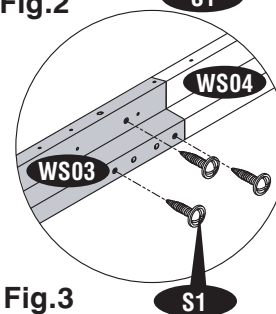


Fig.3

IMPORTANT: USE HAND GLOVES TO PREVENT INJURY.

Step - 13

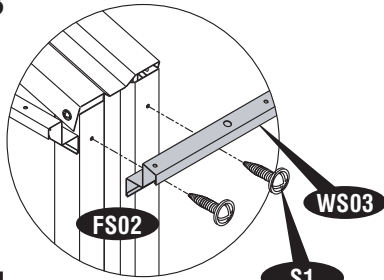


Fig.1

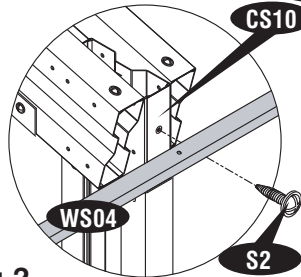


Fig.2

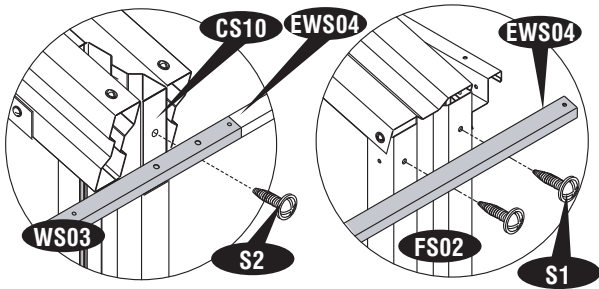
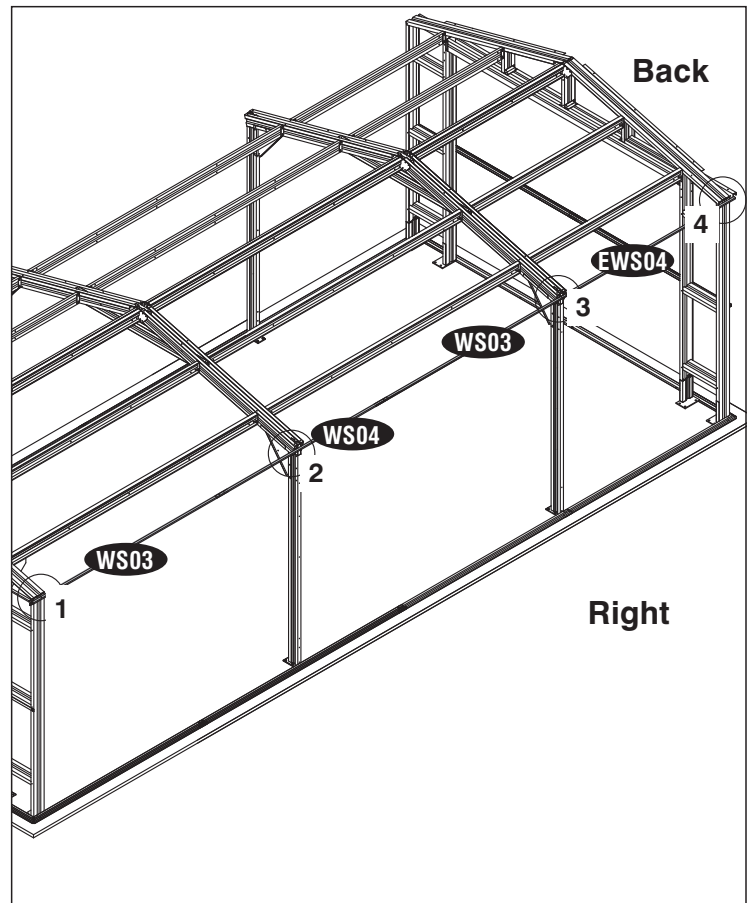


Fig.3

Fig.4



Step - 14

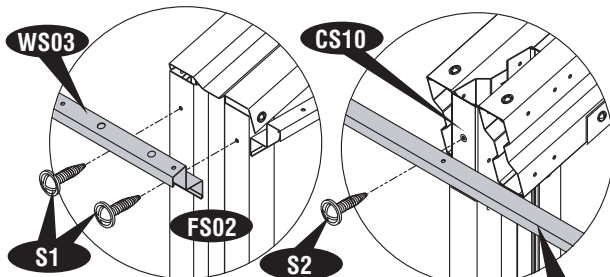


Fig.1

Fig.2

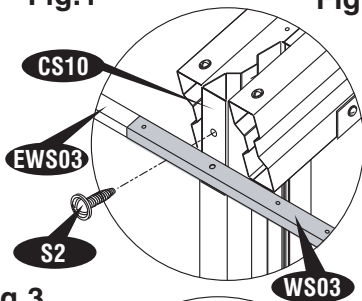


Fig.3

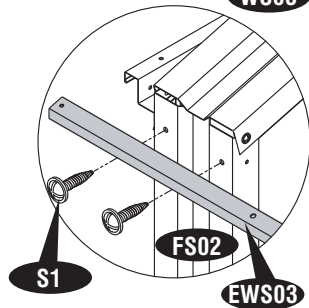
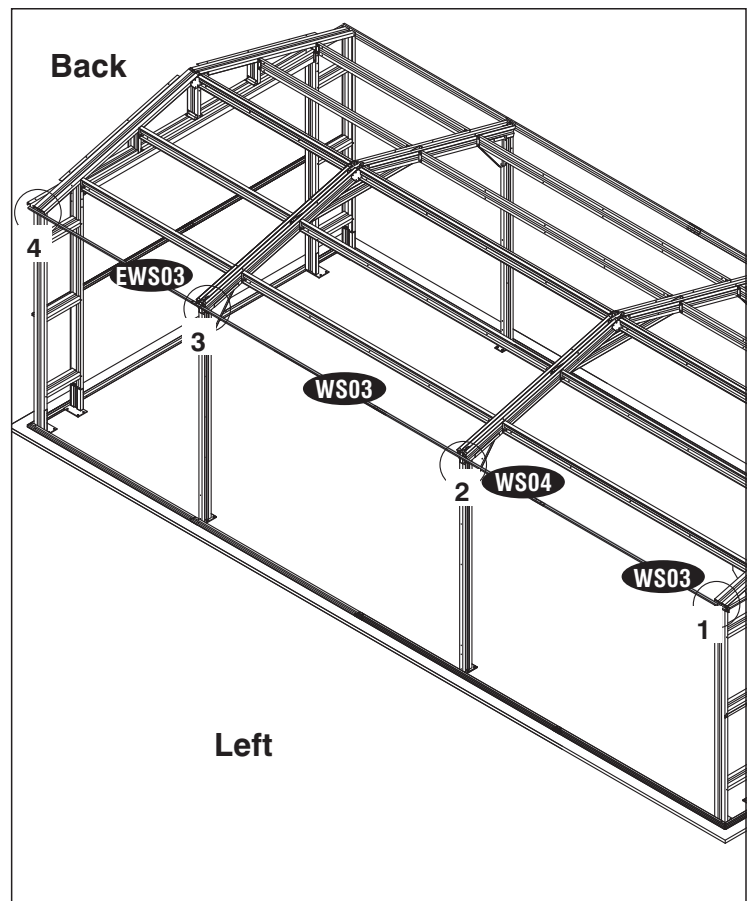


Fig.4



IMPORTANT: USE HAND GLOVES TO PREVENT INJURY.

Step - 15

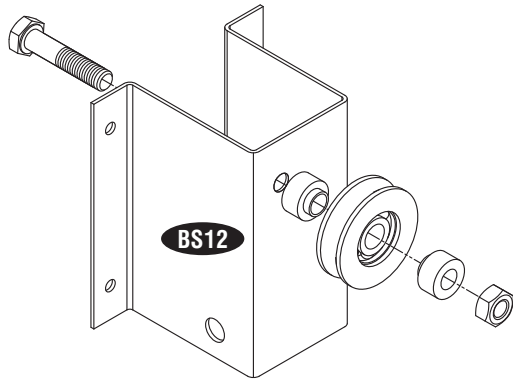


Fig.1

Step - 16

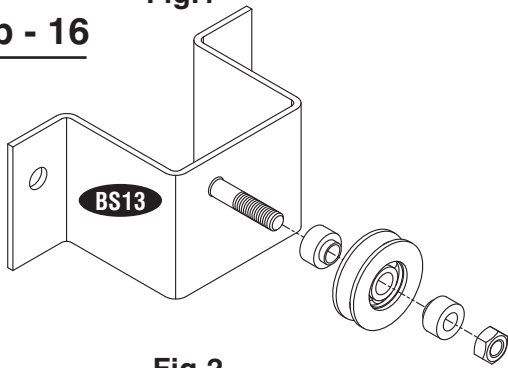
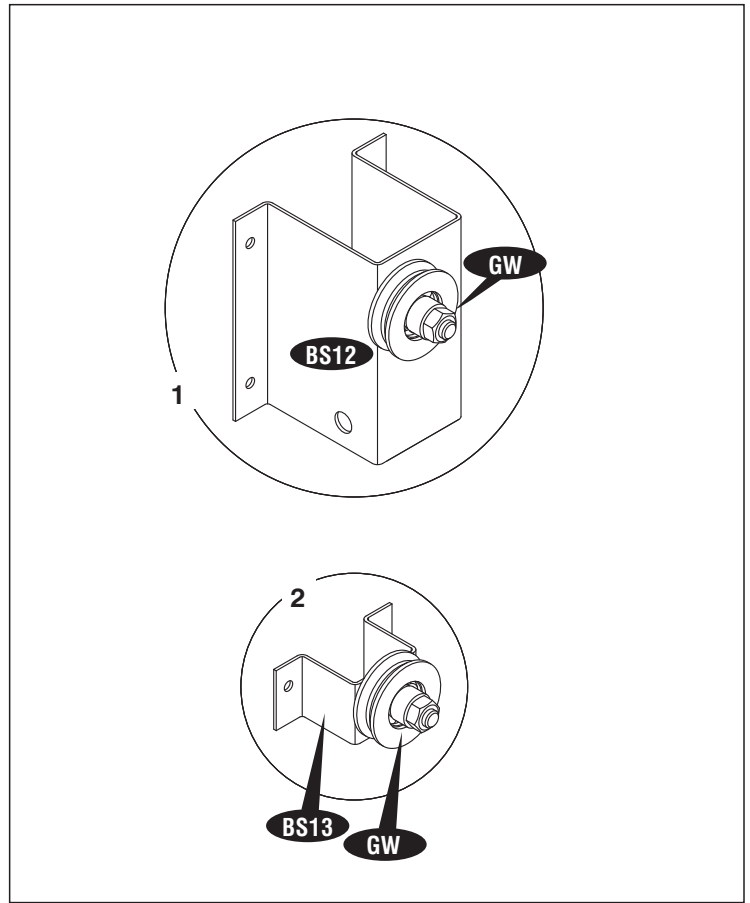


Fig.2



Step - 17

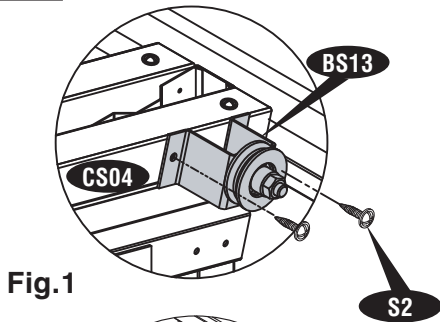


Fig.1

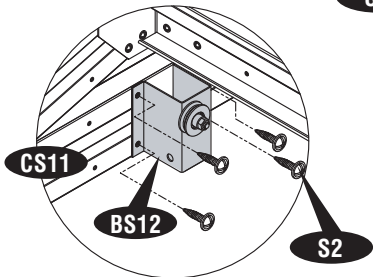


Fig.2

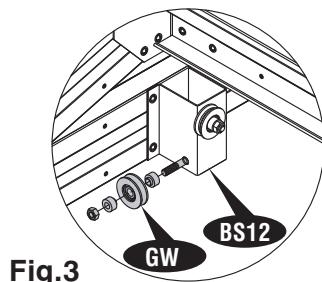
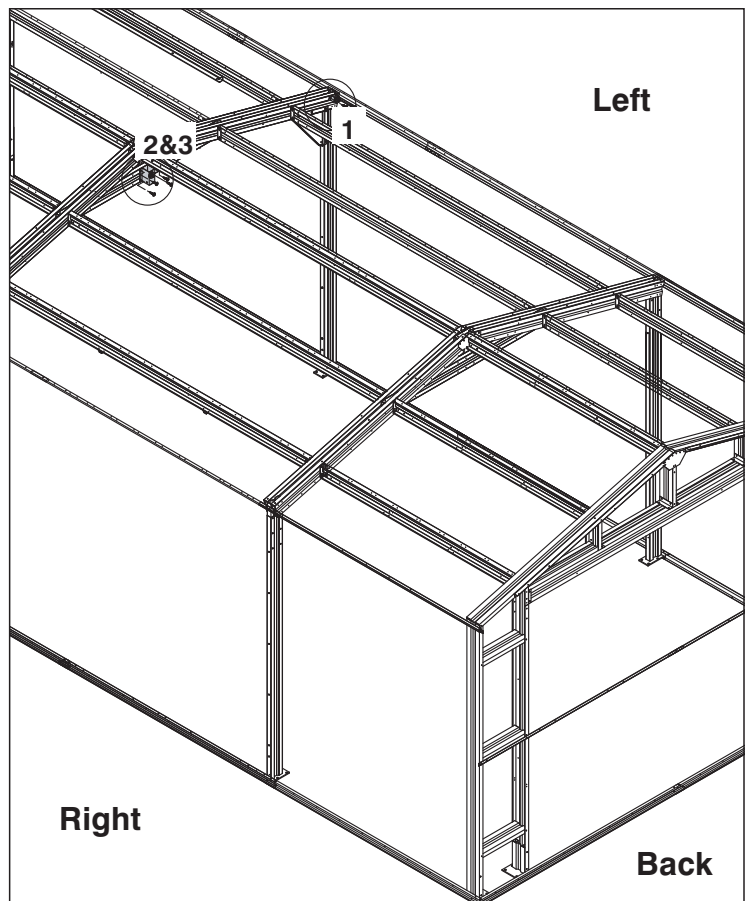


Fig.3



IMPORTANT: USE HAND GLOVES TO PREVENT INJURY.

E. Wall Panel Installation and Accessories

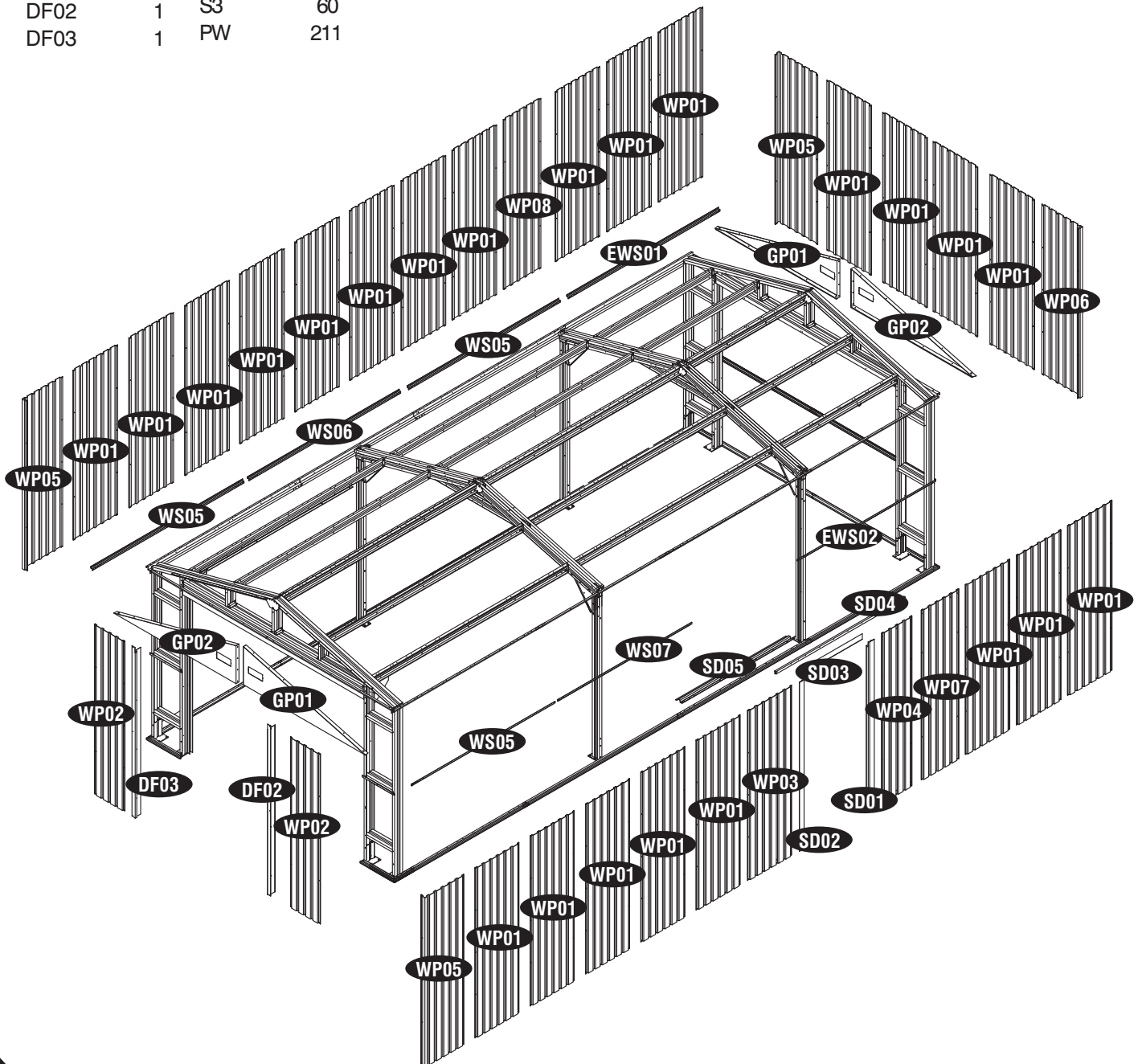
Parts Needed:

Code	Qty	Code	Qty
WP01	17	SD01	1
WP02	2	SD02	1
WP03	1	SD03	1
WP04	1	SD04	1
WP05	3	SD05	1
WP06	1	WS05	3
WP07	1	WS06	1
WP08	1	WS07	1
GP01	2	S1	208
GP02	2	S2	4
DF02	1	S3	60
DF03	1	PW	211

Parts Needed for each extension:

Code	Qty
WP01	6
EWS01	1
EWS02	1
S1	31
S2	2
S3	12
PW	42

Exploded View Side Door Right Side

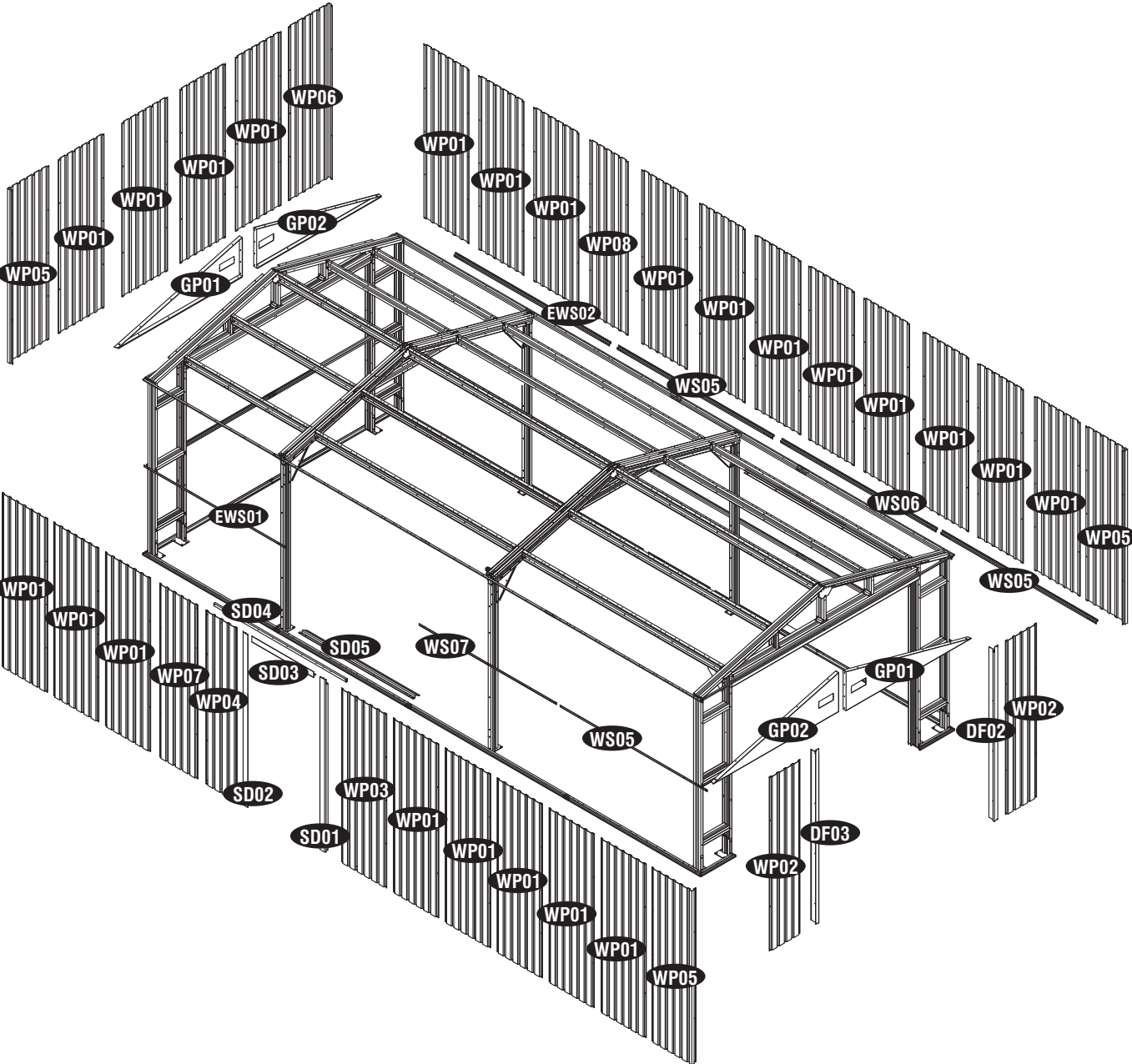


IMPORTANT: USE HAND GLOVES TO PREVENT INJURY.

Exploded View Side Door Left Side

IMPORTANT

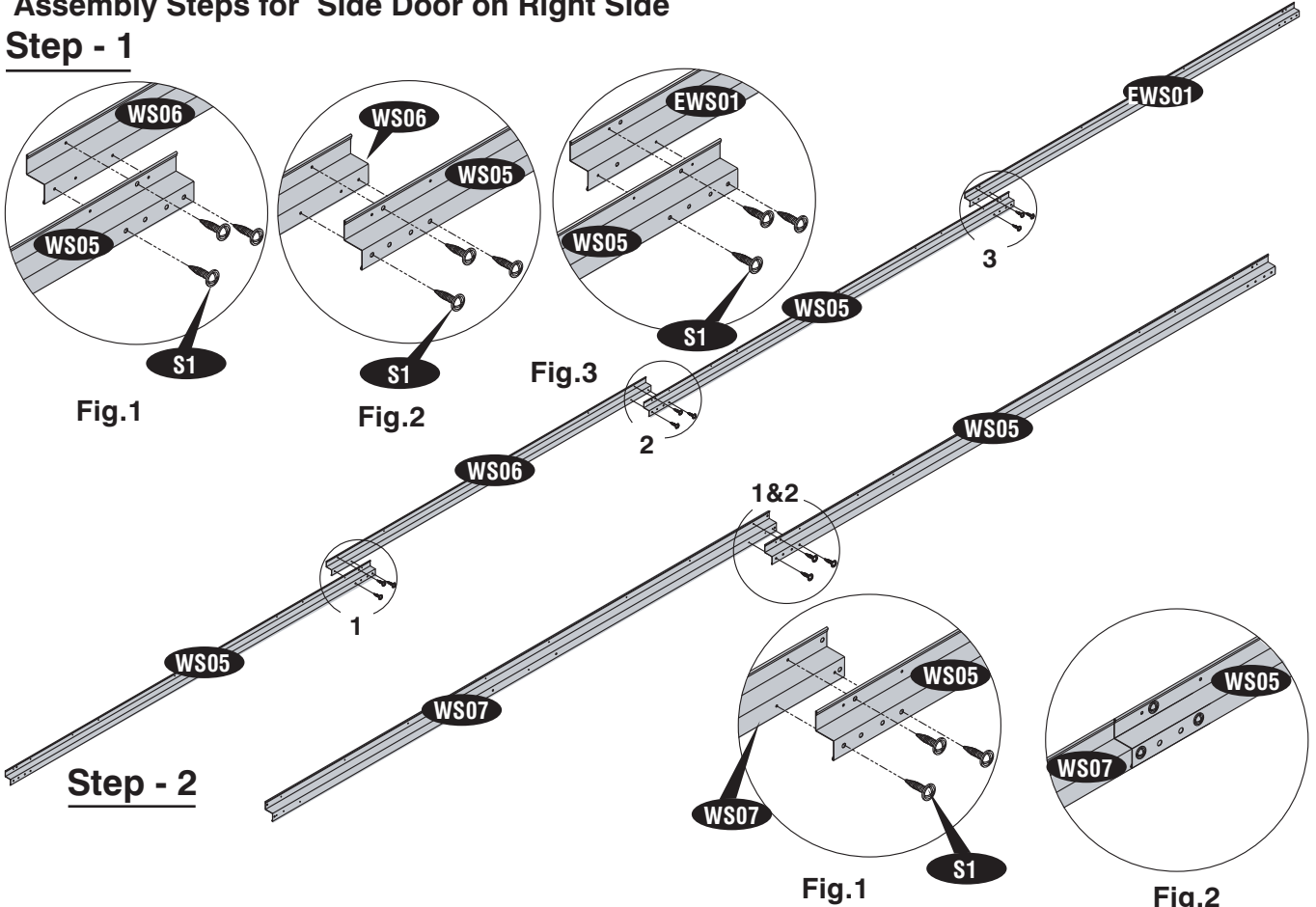
Follow the Diagram to assemble the side door on Left Side.



IMPORTANT: USE HAND GLOVES TO PREVENT INJURY.

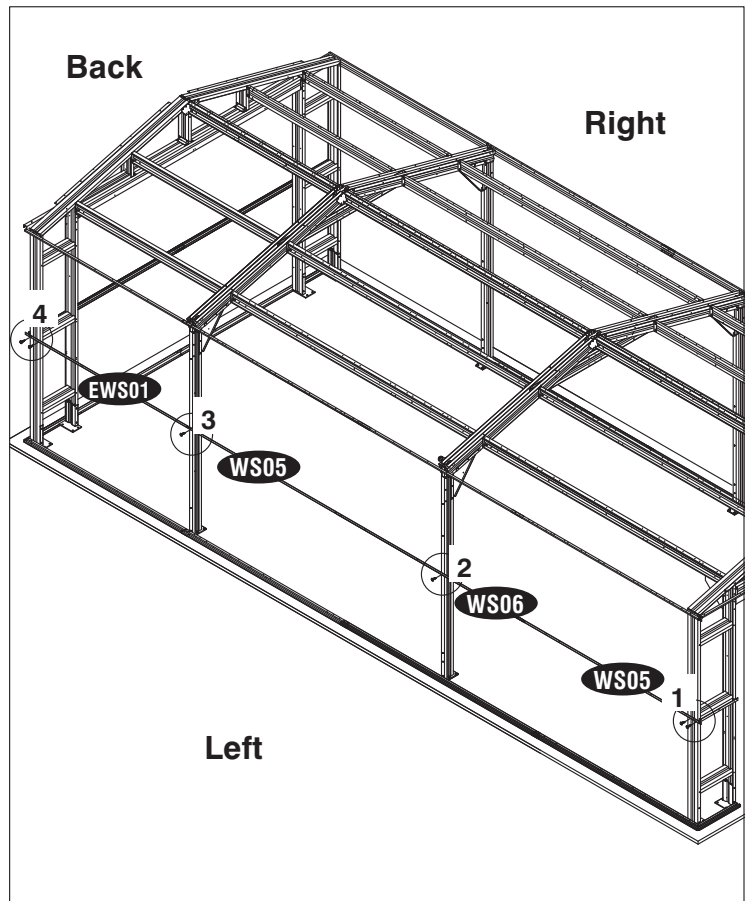
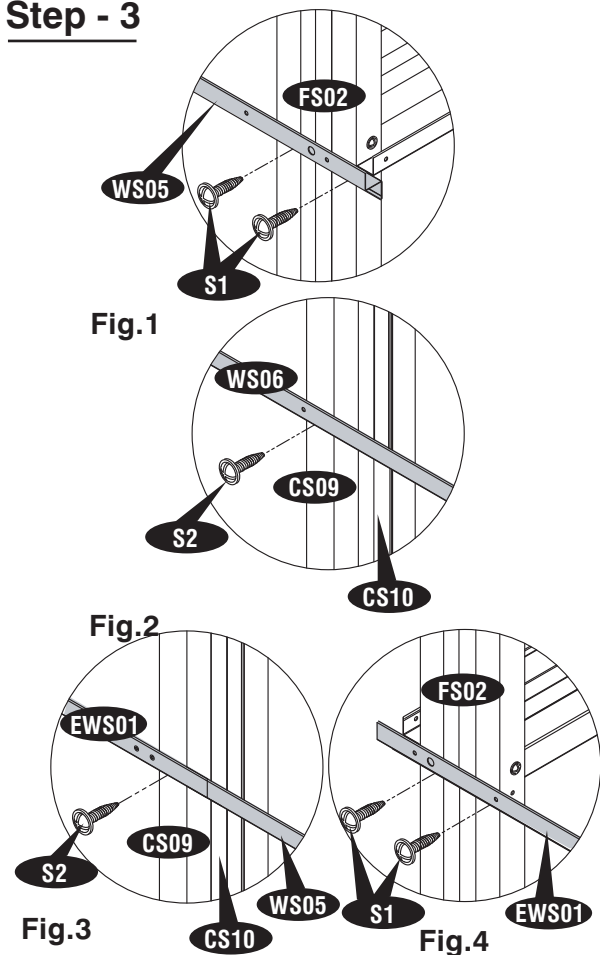
Assembly Steps for Side Door on Right Side

Step - 1



Step - 2

Step - 3



IMPORTANT: USE HAND GLOVES TO PREVENT INJURY.

Step - 4

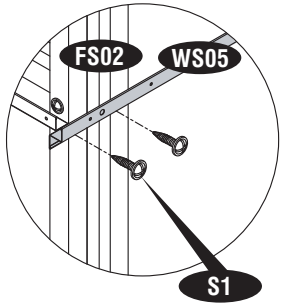


Fig.1

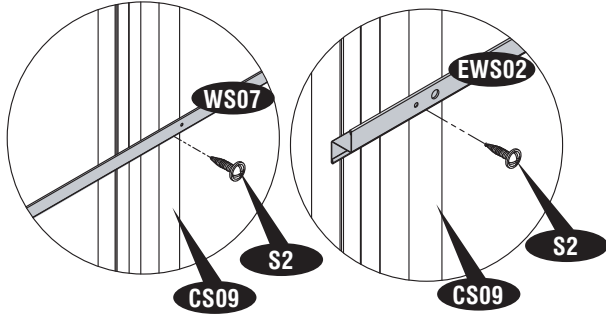
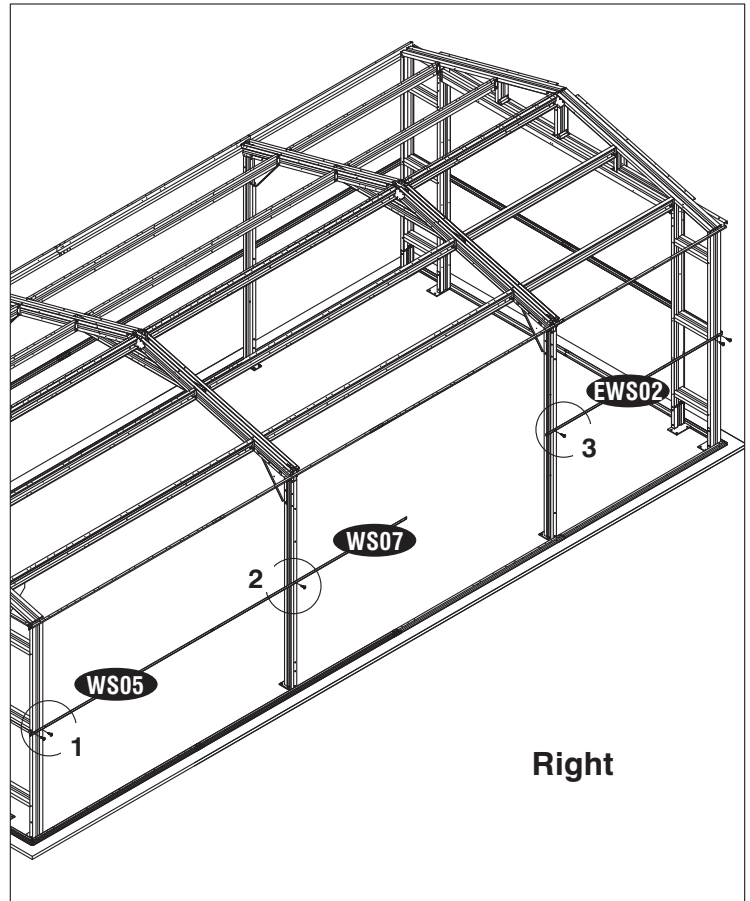


Fig.2

Fig.3



Right

Step - 5

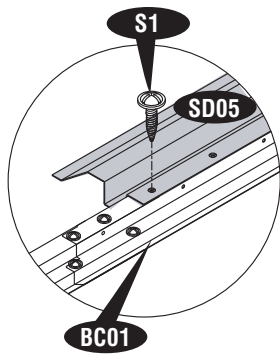


Fig.1

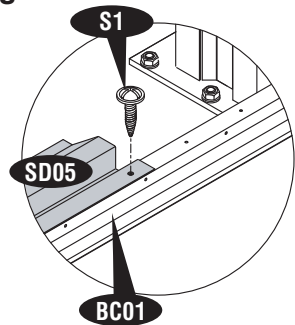
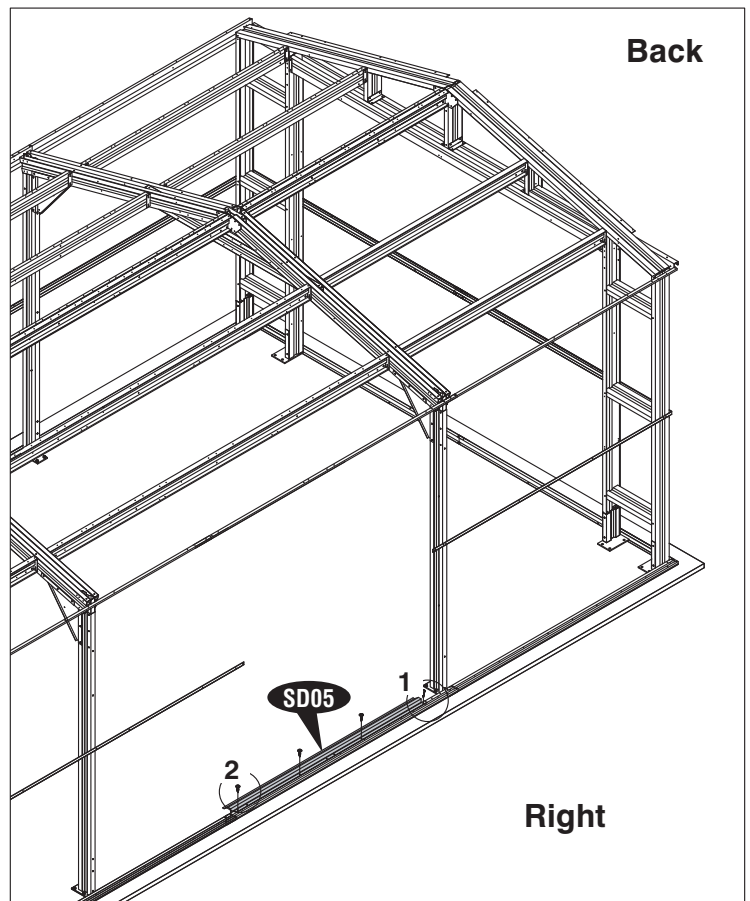


Fig.2



Back

Right

IMPORTANT: USE HAND GLOVES TO PREVENT INJURY.

Step - 6

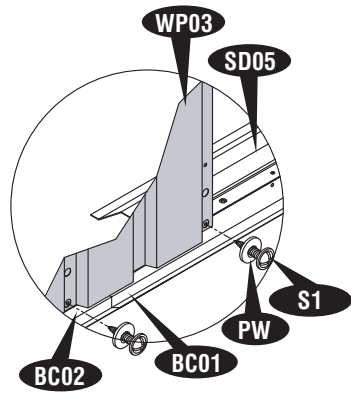


Fig.1

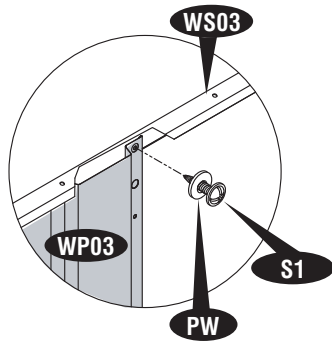
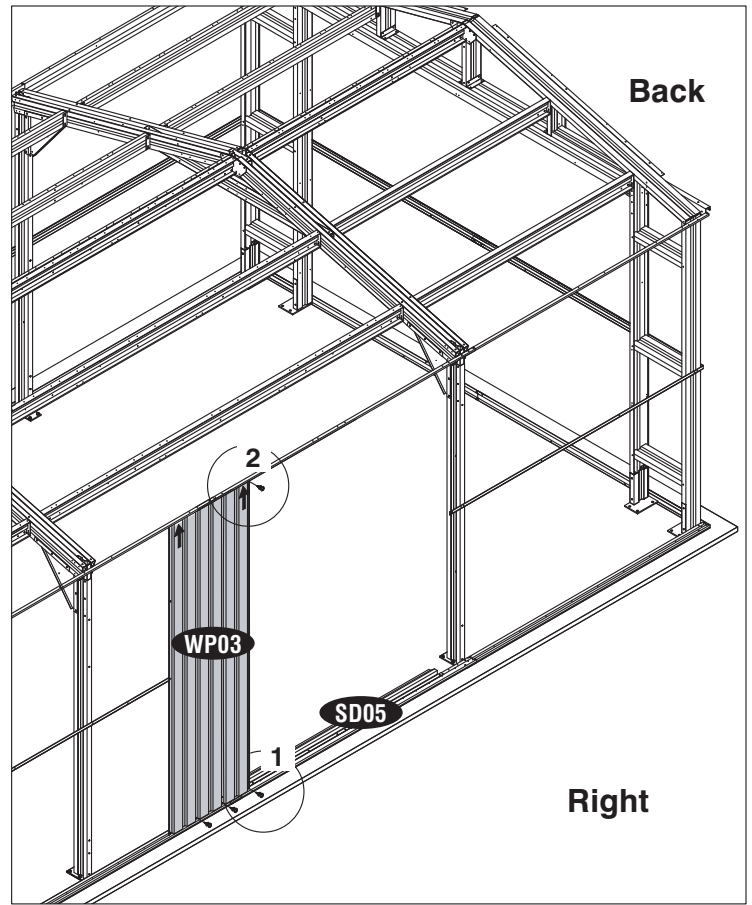


Fig.2



Step - 7

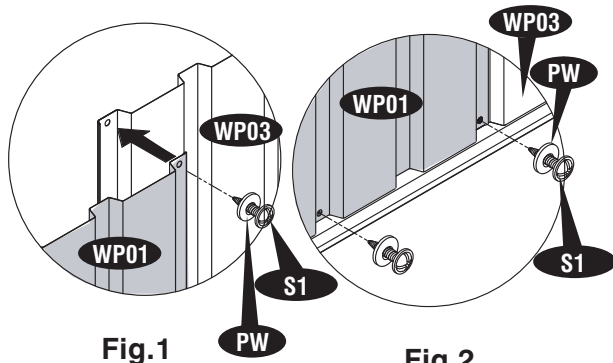


Fig.1

Fig.2

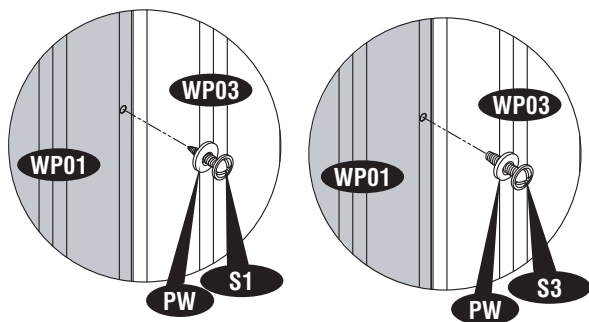
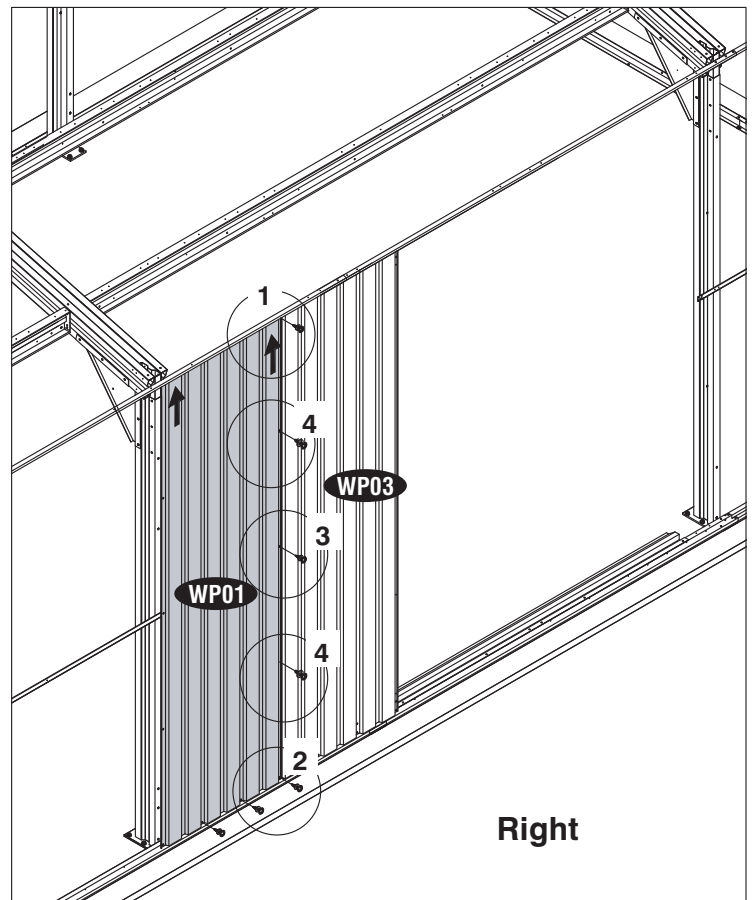


Fig.3

Fig.4



IMPORTANT: USE HAND GLOVES TO PREVENT INJURY.

Step - 8

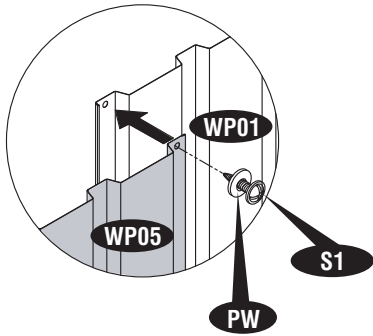


Fig.1

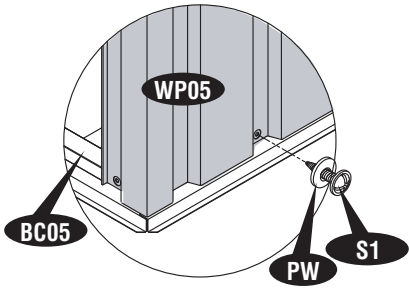
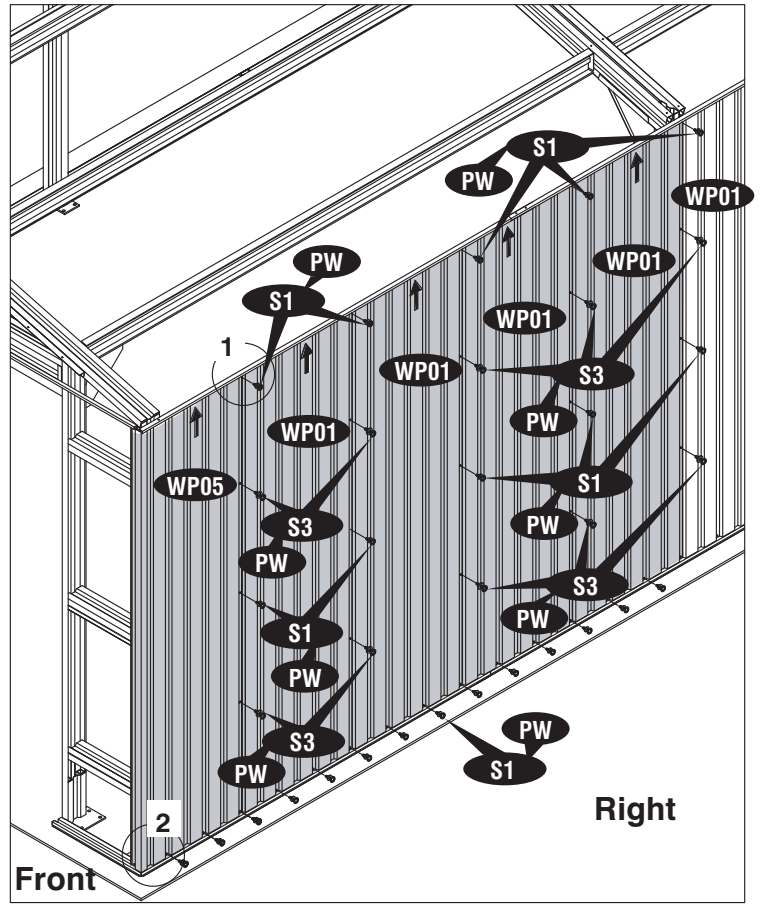


Fig.2



Step - 9

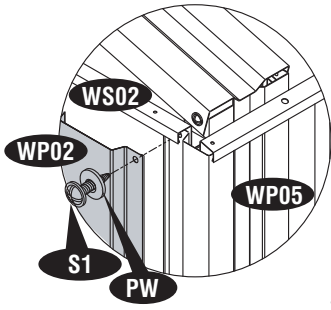


Fig.1

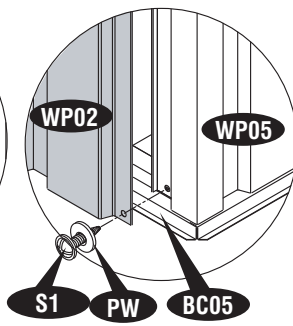


Fig.2

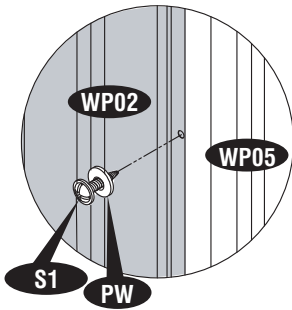


Fig.3

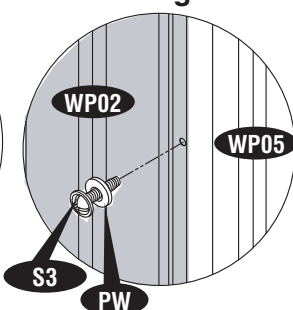
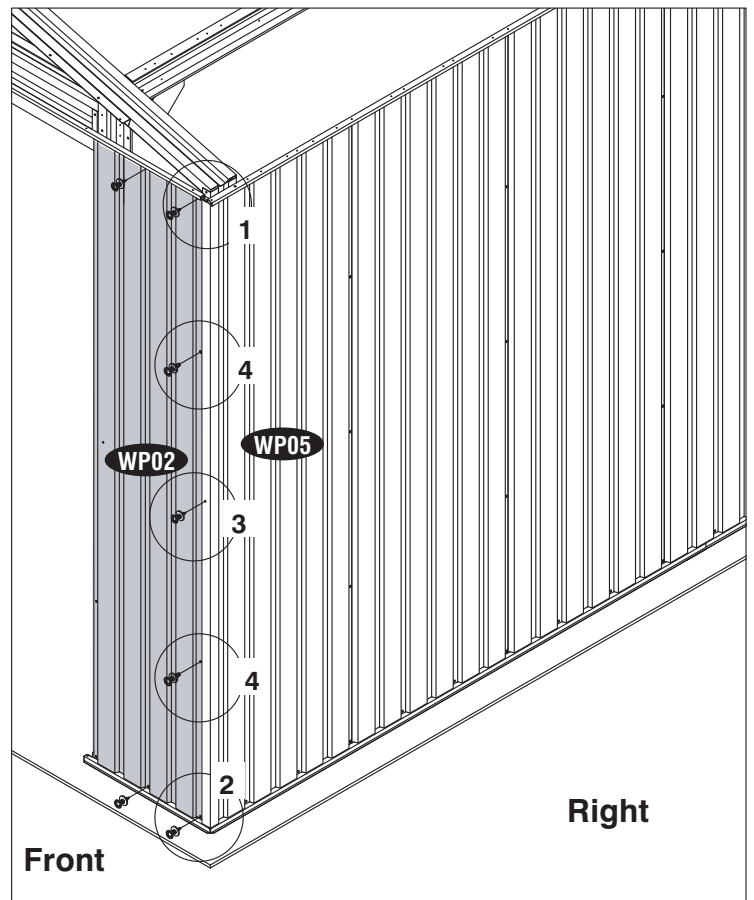


Fig.4



IMPORTANT: USE HAND GLOVES TO PREVENT INJURY.

Step - 10

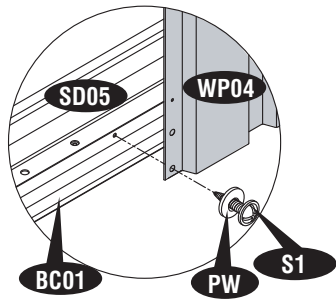


Fig.1

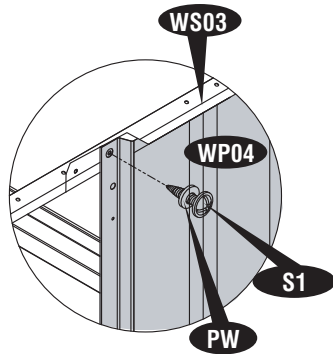
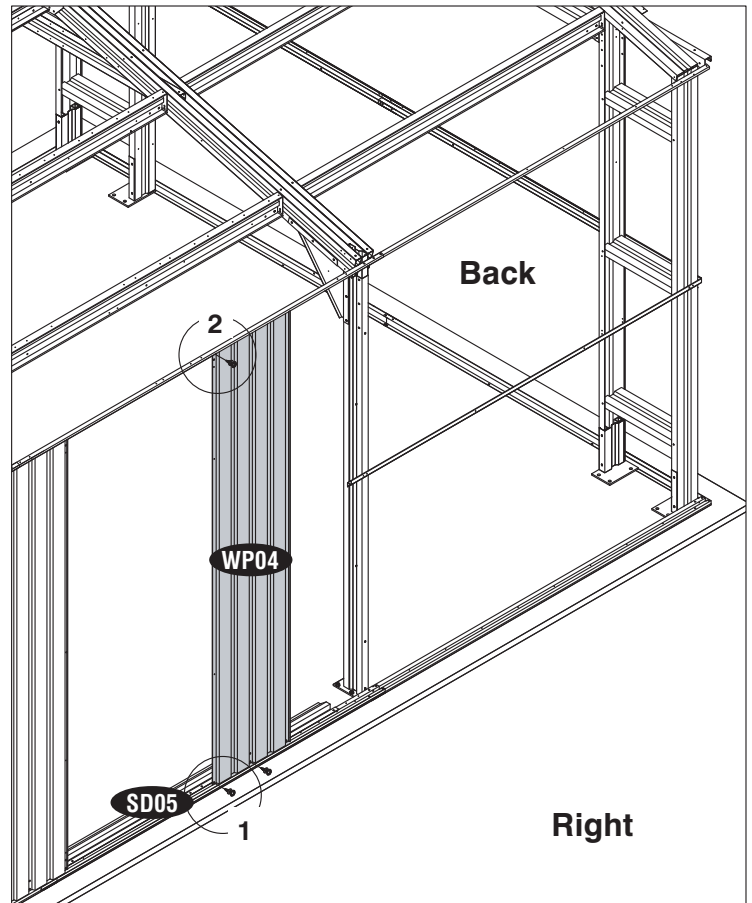


Fig.2



Step - 11

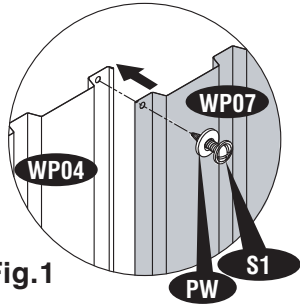


Fig.1

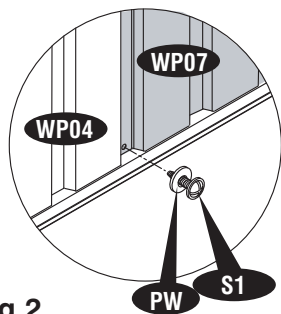


Fig.2

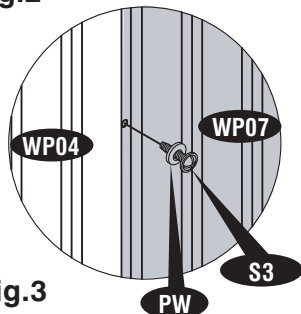
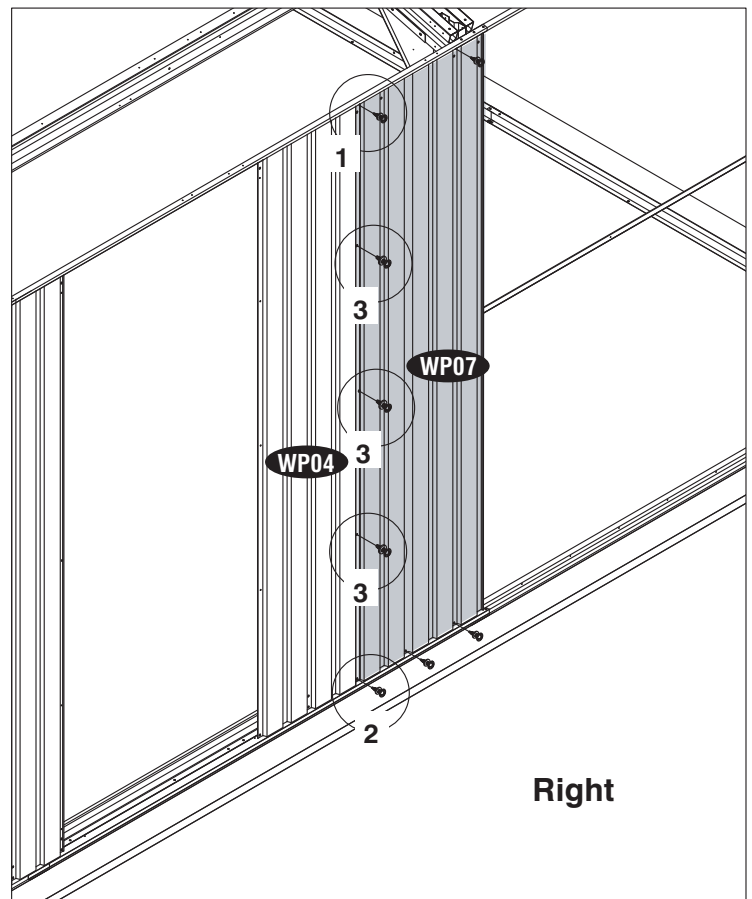


Fig.3



Step - 12

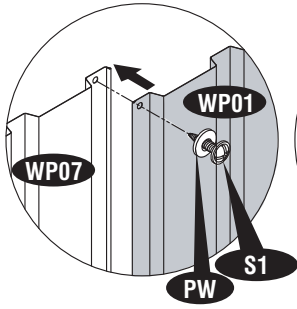


Fig.1

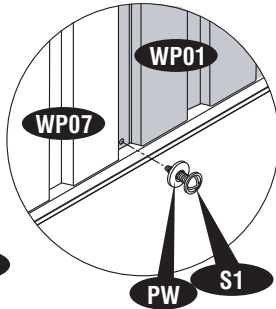


Fig.2

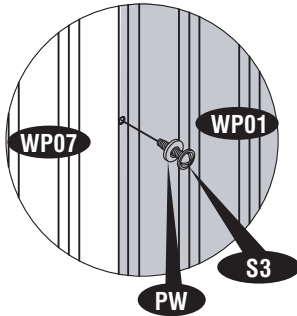


Fig.3

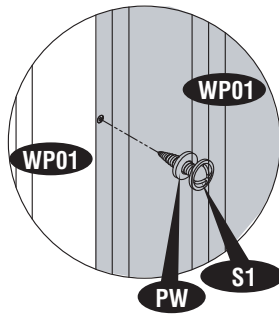
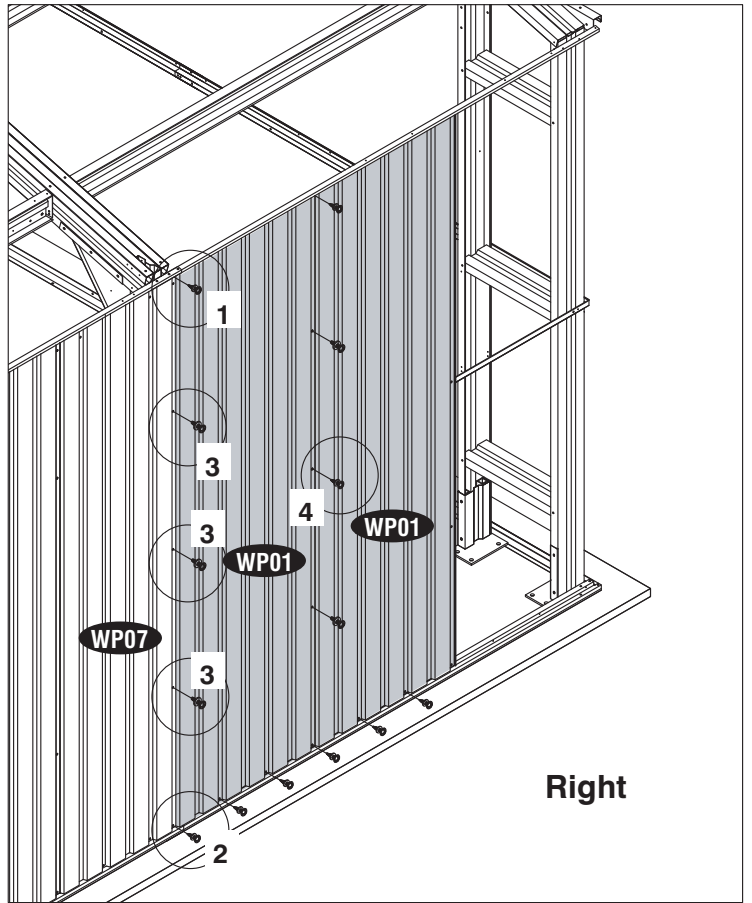


Fig.4



Step - 13

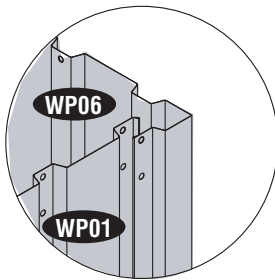


Fig.1

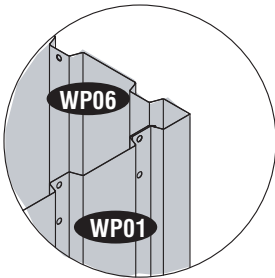
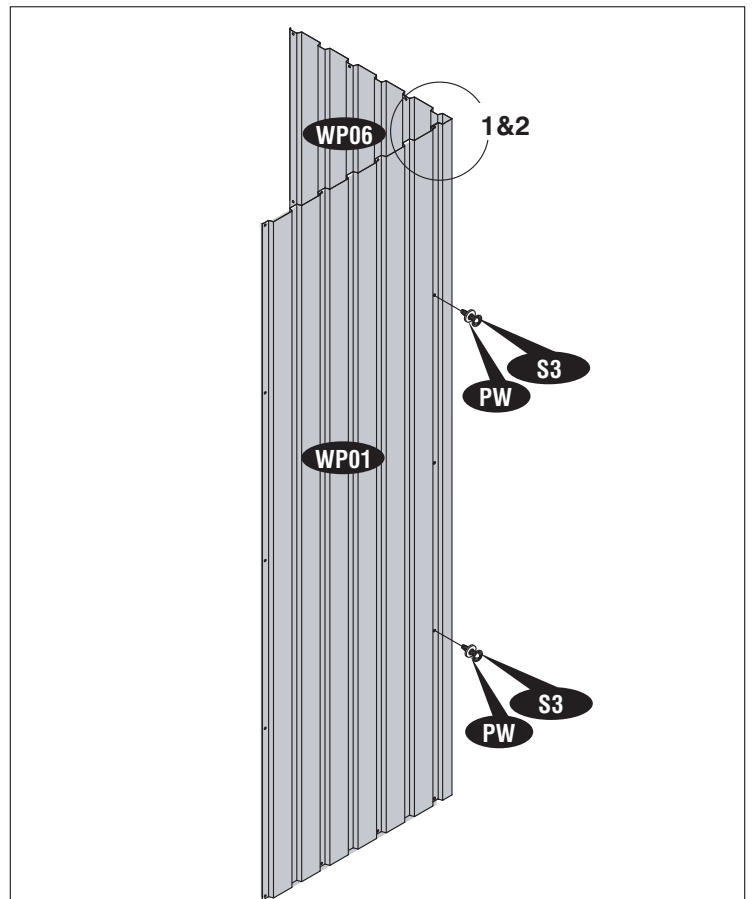


Fig.2



IMPORTANT: USE HAND GLOVES TO PREVENT INJURY.

Step - 14

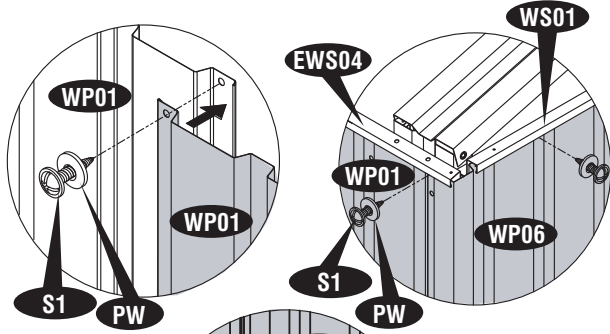


Fig.1

Fig.2

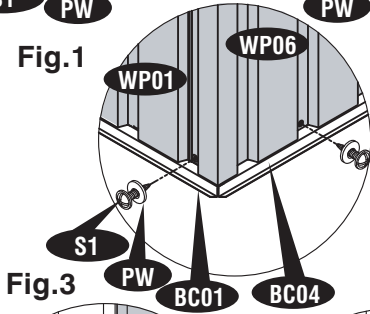


Fig.3

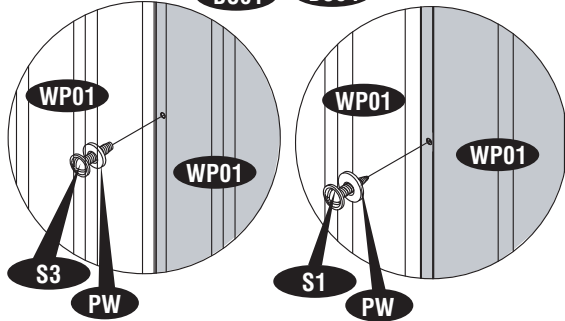
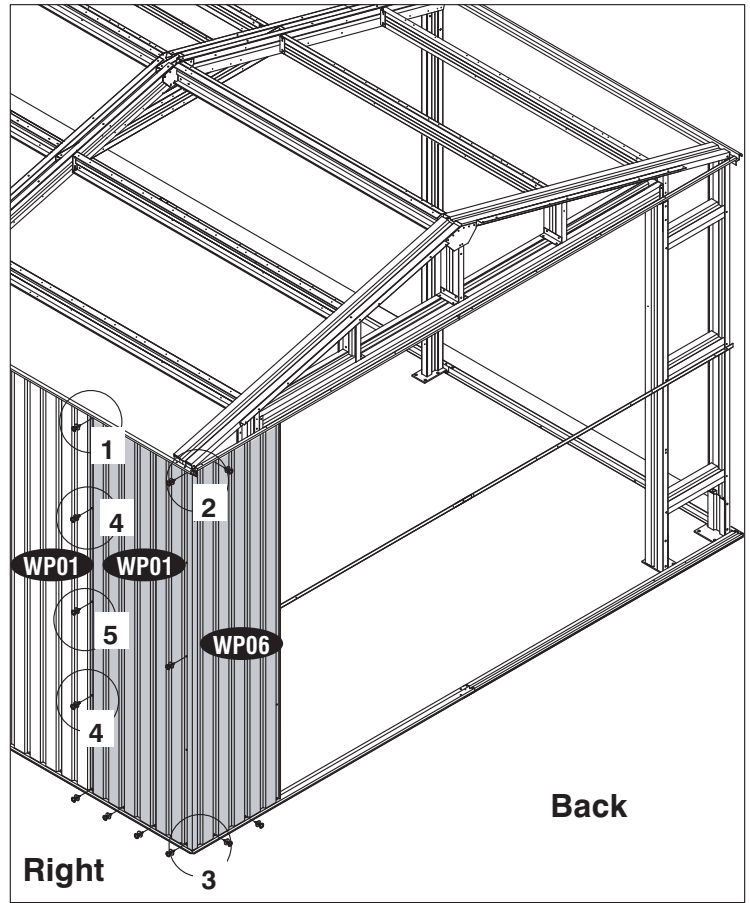


Fig.4

Fig.5



Step - 15

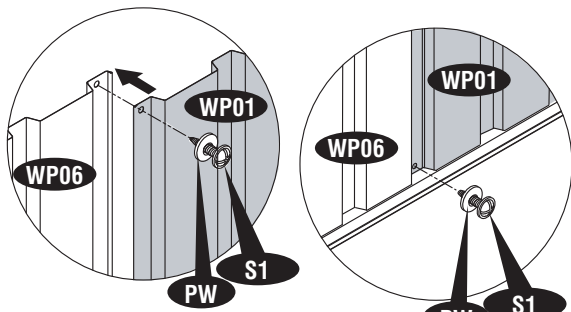


Fig.1

Fig.2

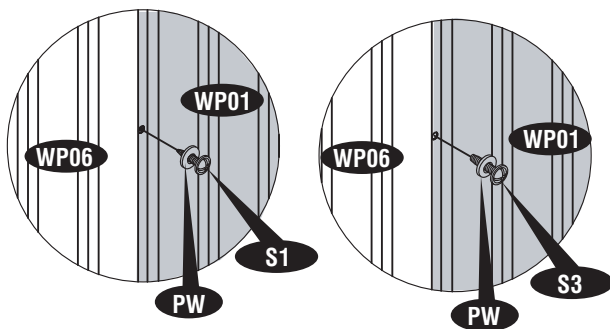
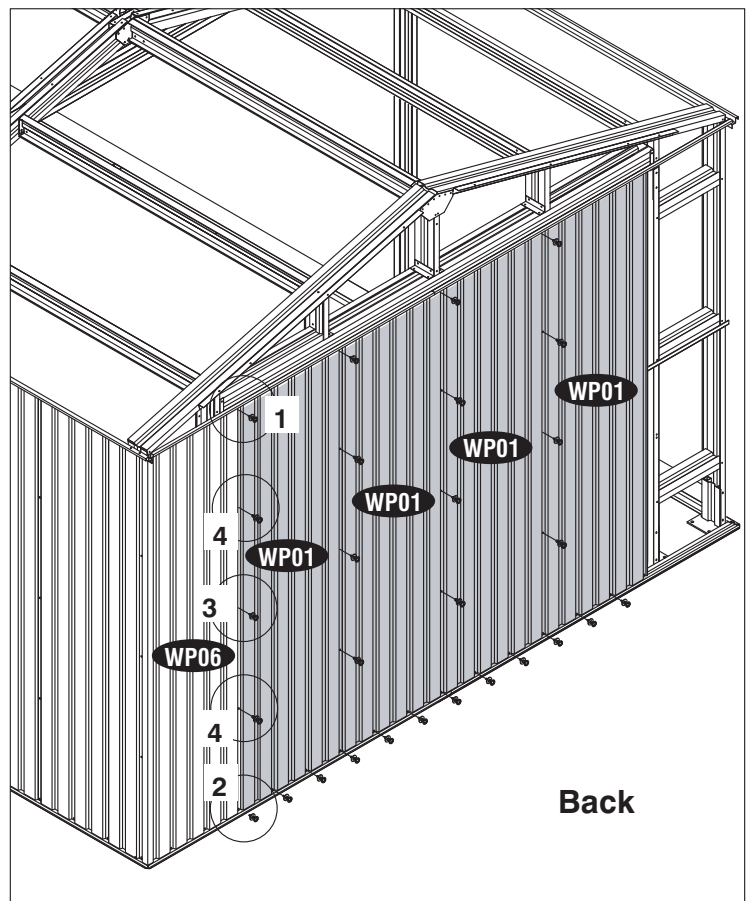


Fig.3

Fig.4



Step - 16

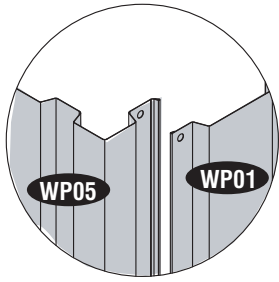


Fig.1

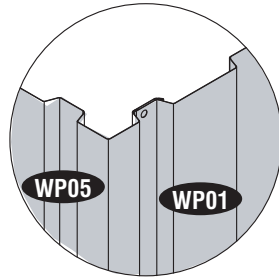
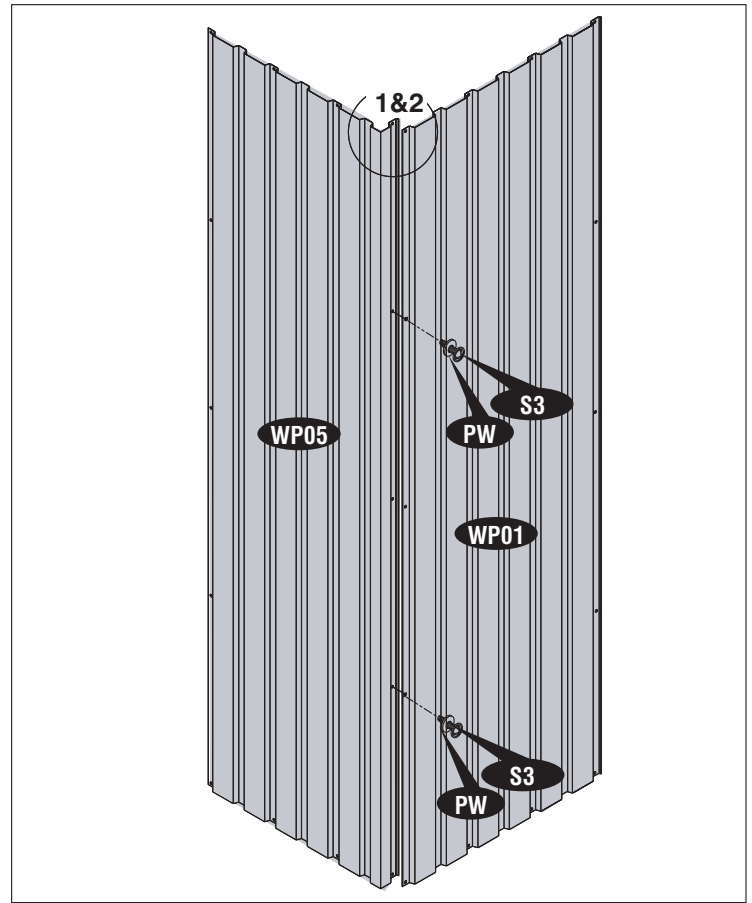


Fig.2



Step - 17

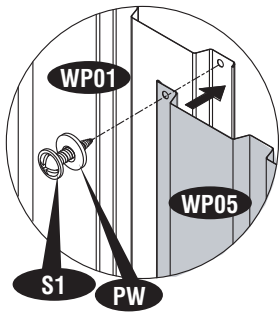


Fig.1

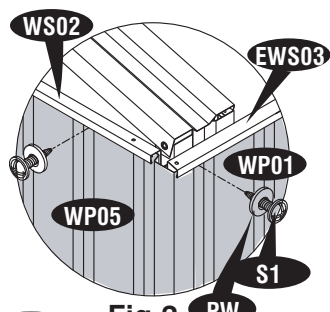


Fig.2

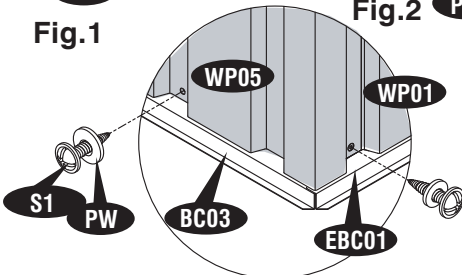


Fig.3

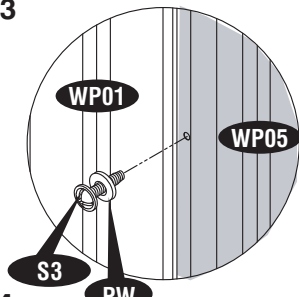
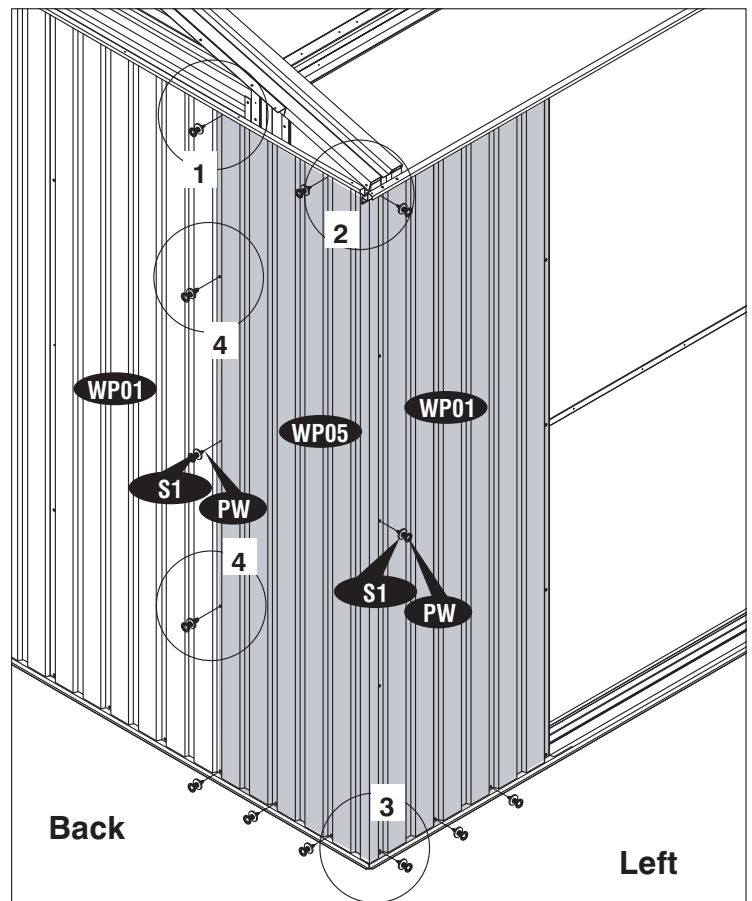


Fig.4



Step - 18

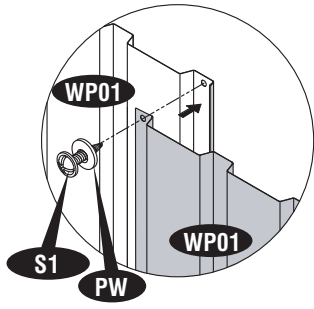


Fig.1

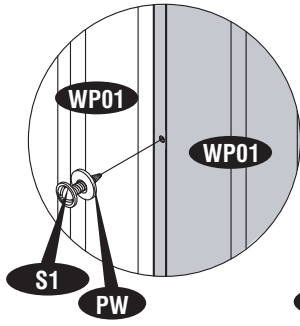


Fig.2

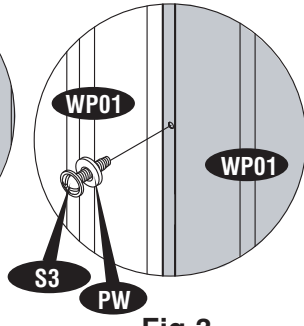
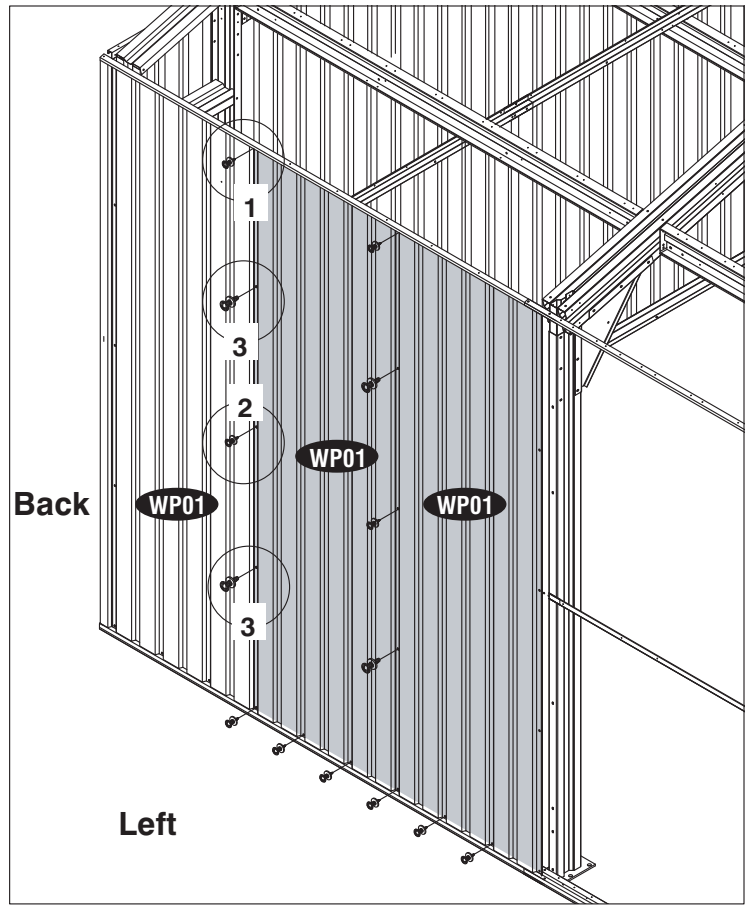
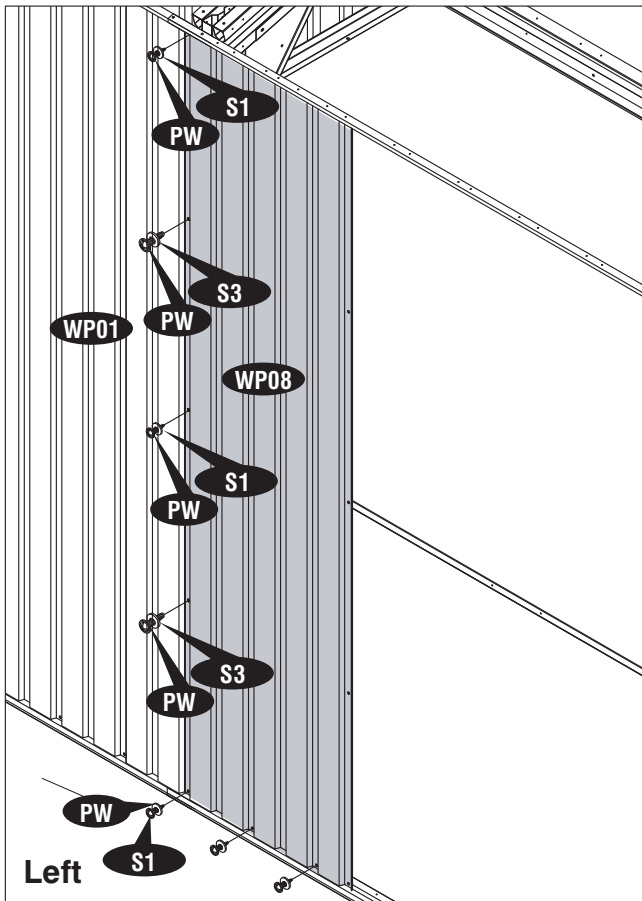


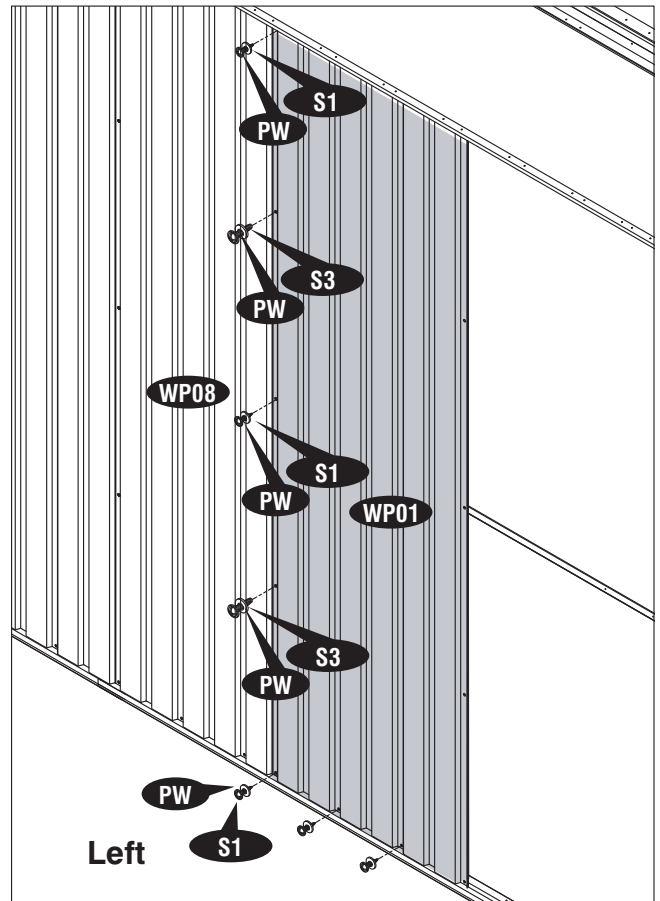
Fig.3



Step - 19



Step - 20



IMPORTANT: USE HAND GLOVES TO PREVENT INJURY.

Step - 21

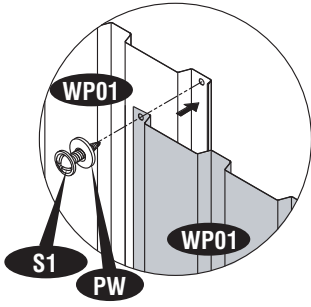


Fig.1

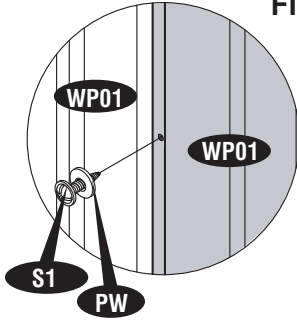


Fig.2

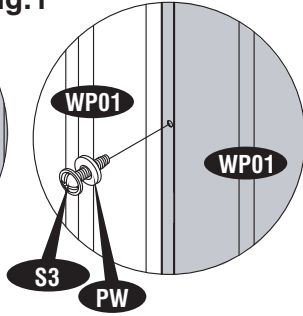
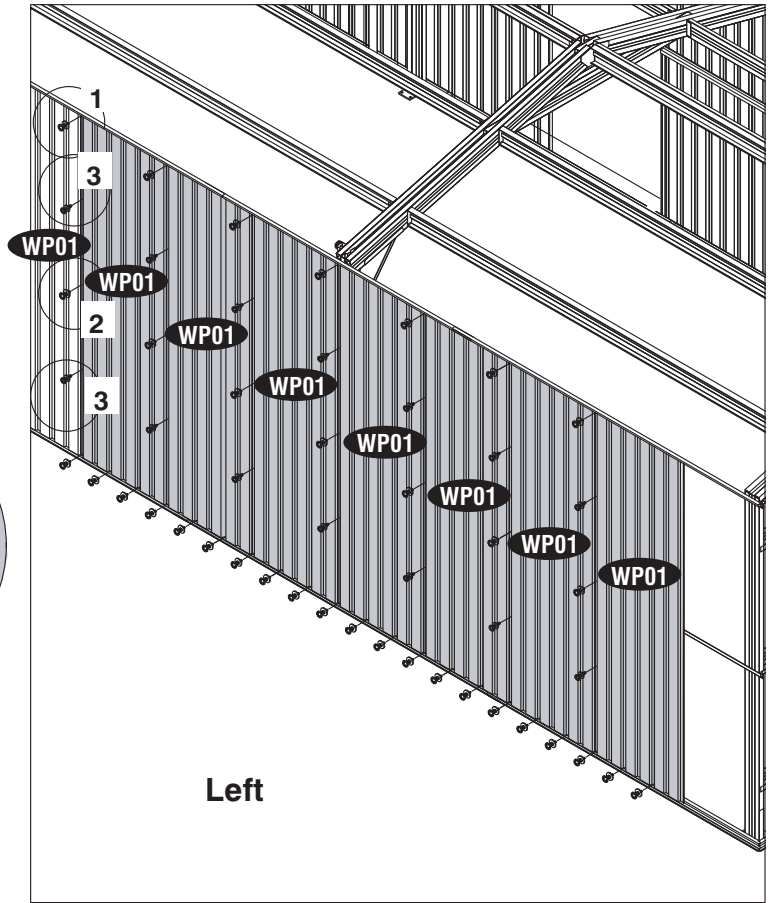


Fig.3



Left

Step - 22

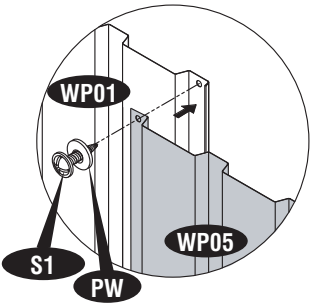


Fig.1

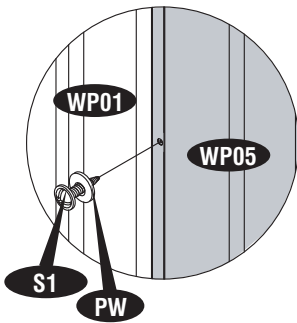


Fig.2

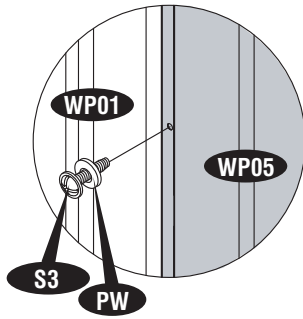
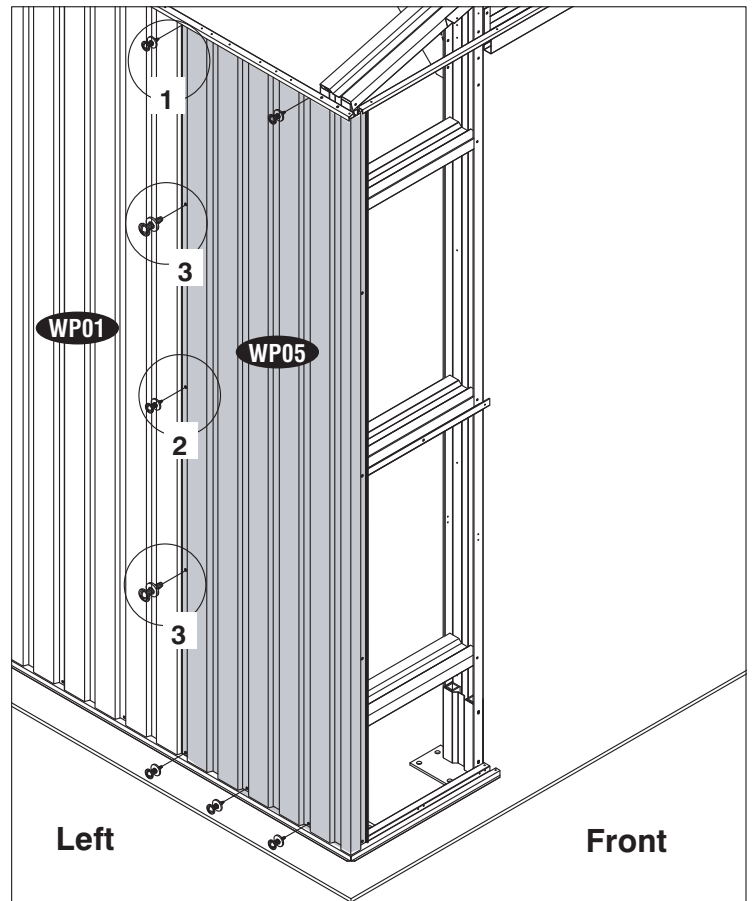


Fig.3



Left

Front

IMPORTANT: USE HAND GLOVES TO PREVENT INJURY.

Step - 23



Fig.1

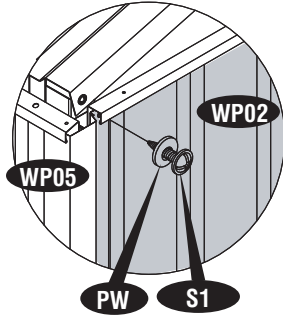


Fig.2

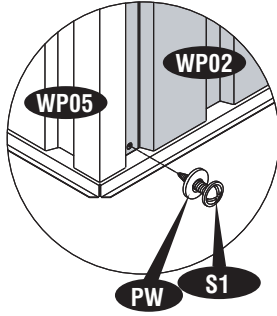


Fig.3

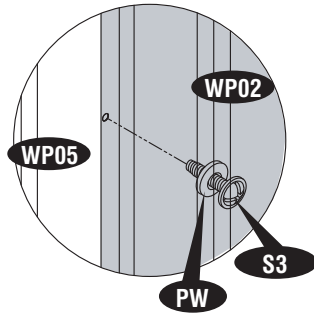
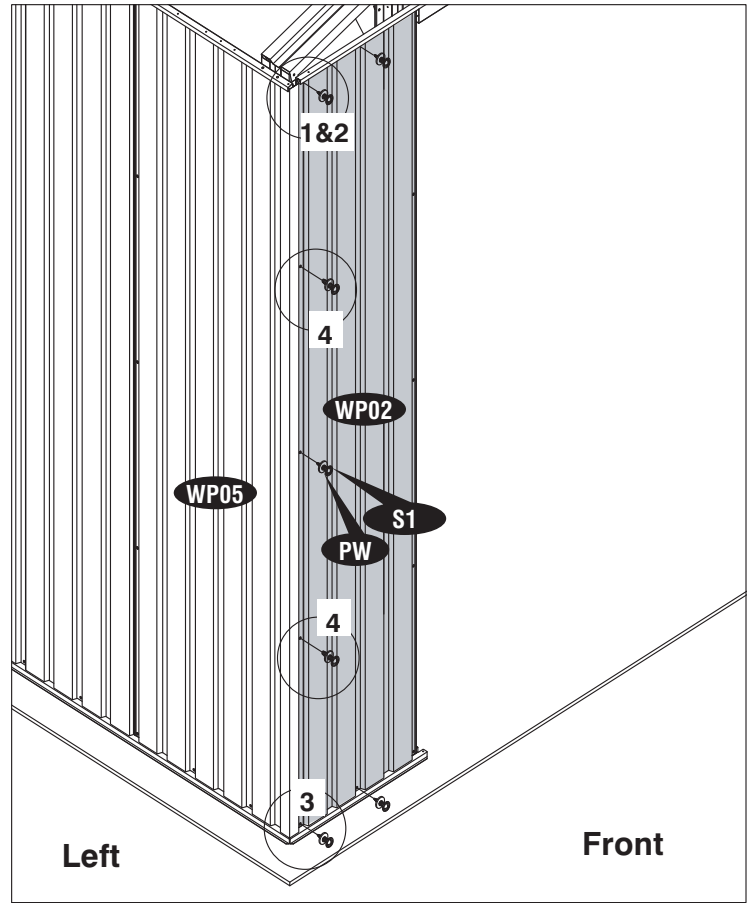


Fig.4



Step - 24

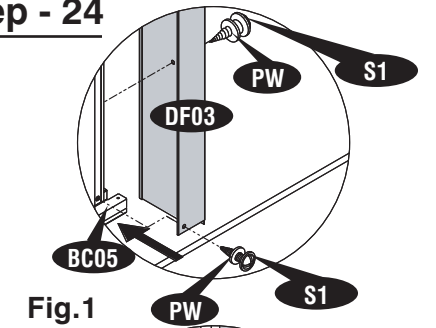


Fig.1

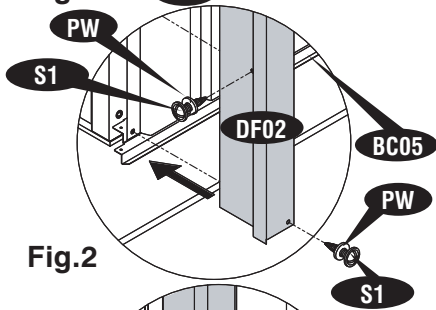


Fig.2

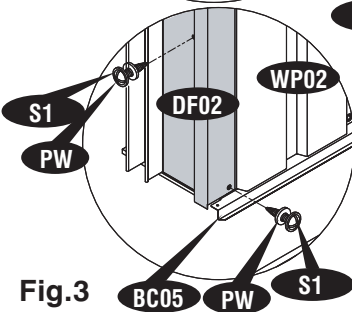
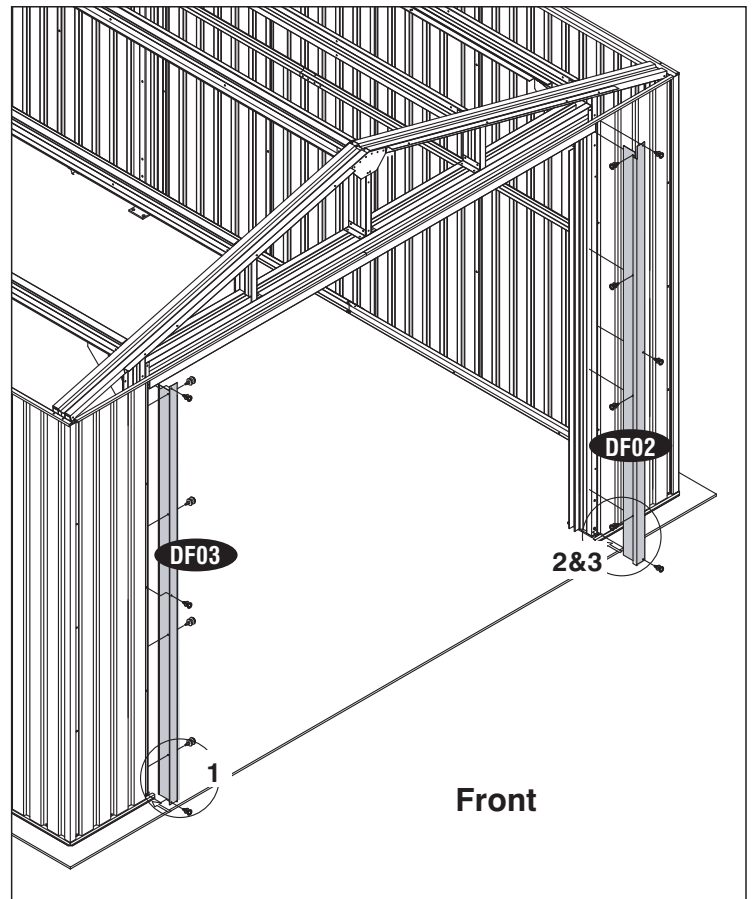


Fig.3



Step - 25

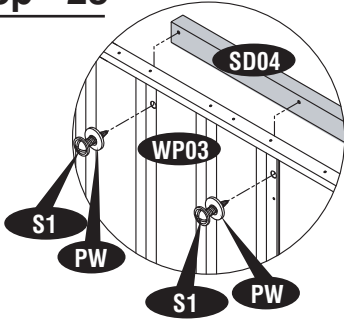


Fig.1

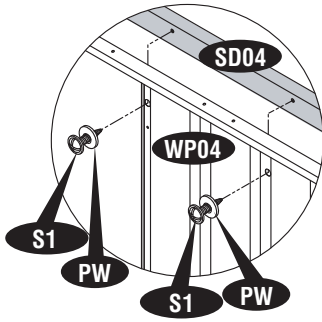
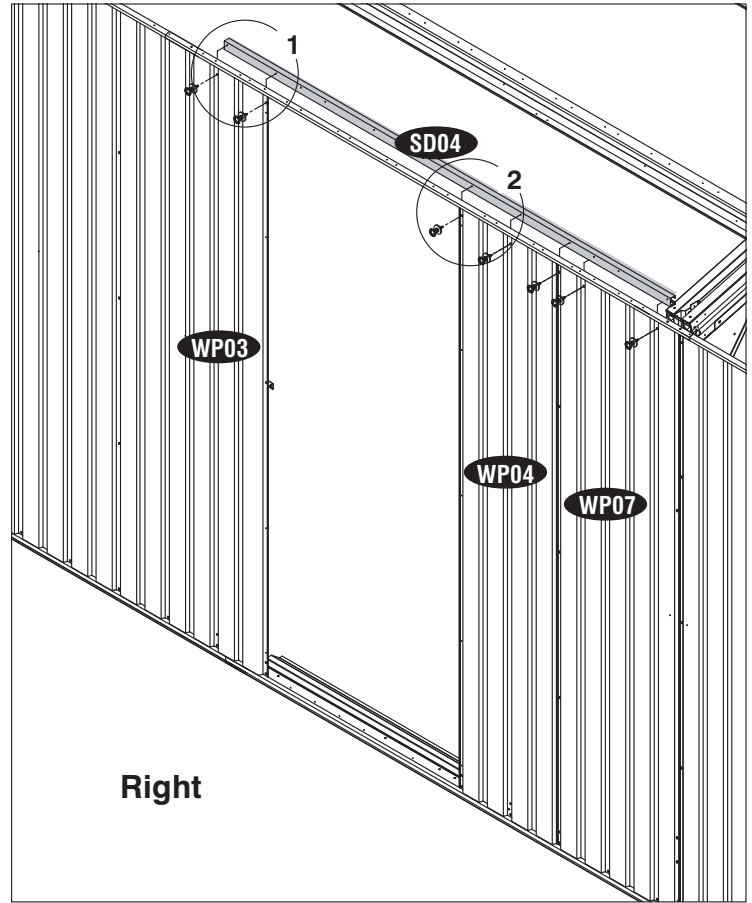


Fig.2



Right

Step - 26

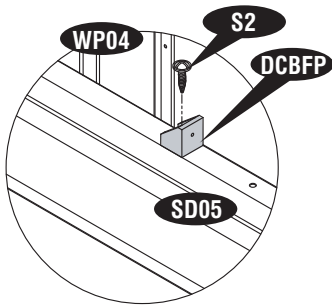


Fig.1

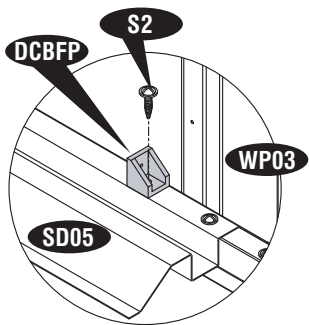
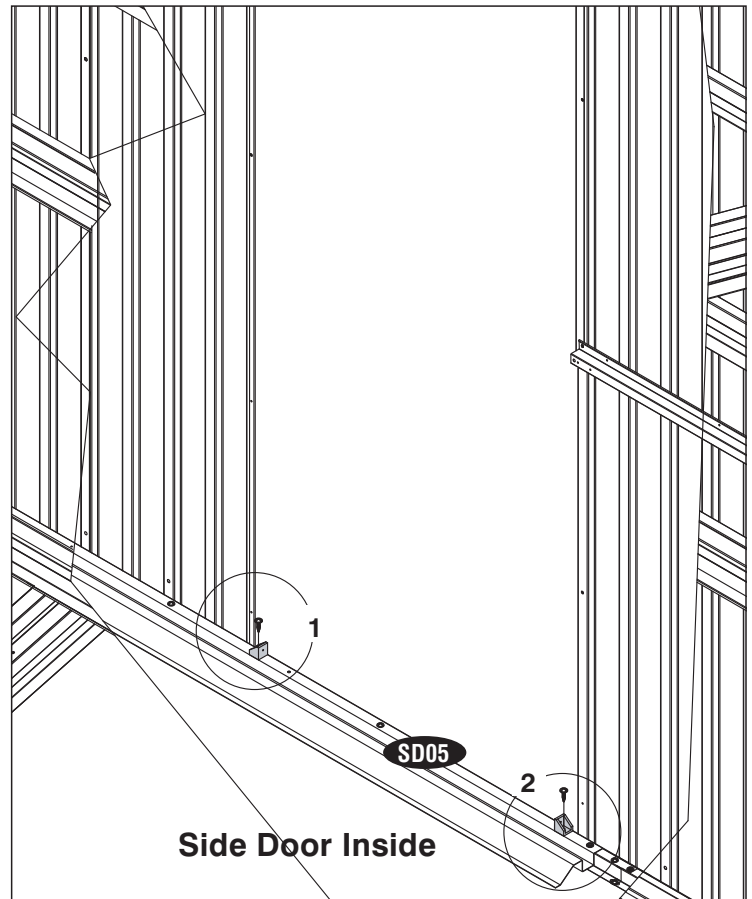


Fig.2



Side Door Inside

IMPORTANT: USE HAND GLOVES TO PREVENT INJURY.

Step - 27

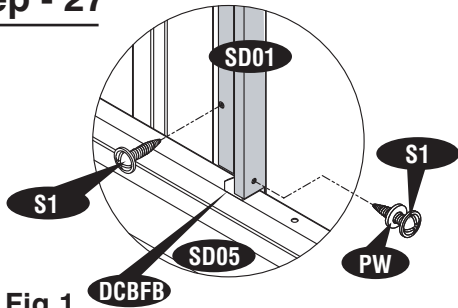


Fig.1

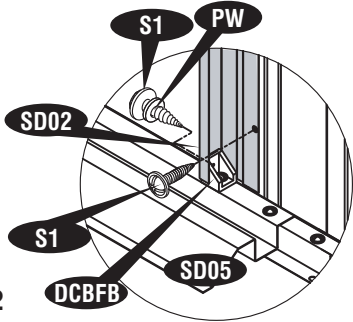


Fig.2

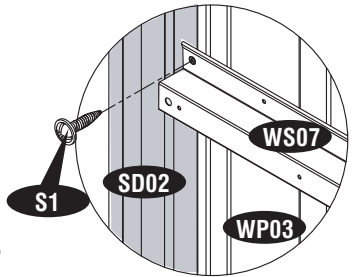
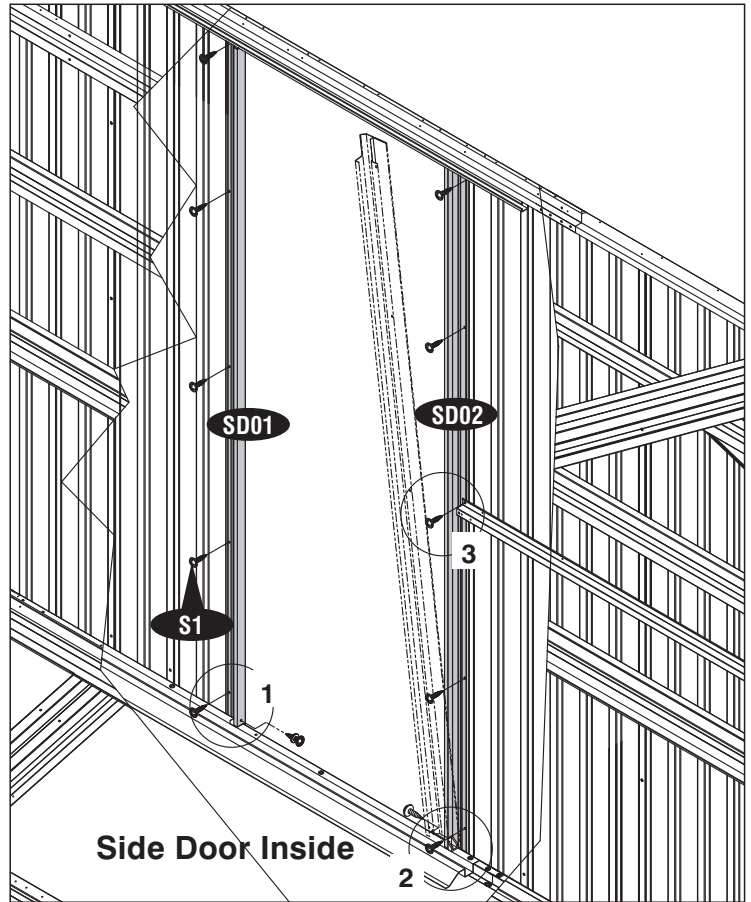


Fig.3



Step - 28

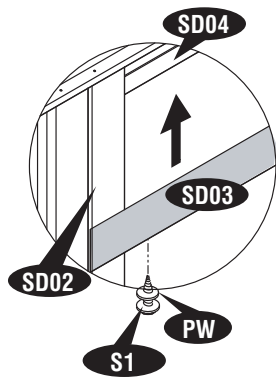


Fig.1

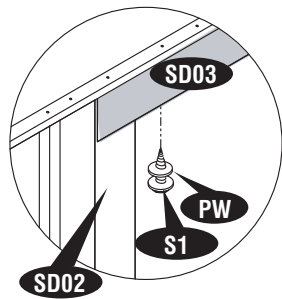
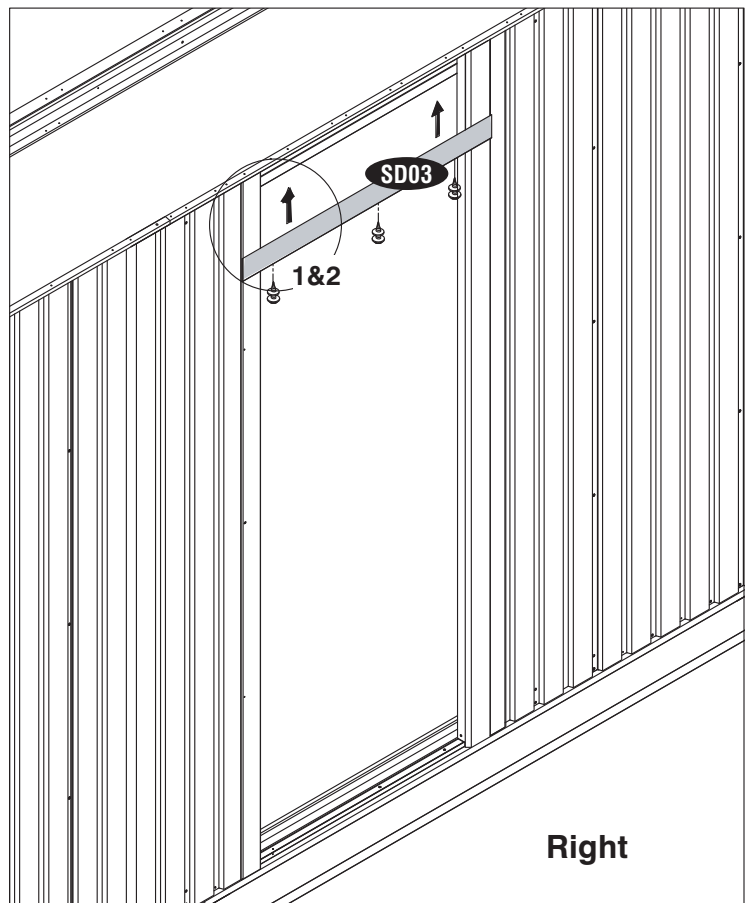


Fig.2



IMPORTANT: USE HAND GLOVES TO PREVENT INJURY.

Step - 29

Make 2 Sets

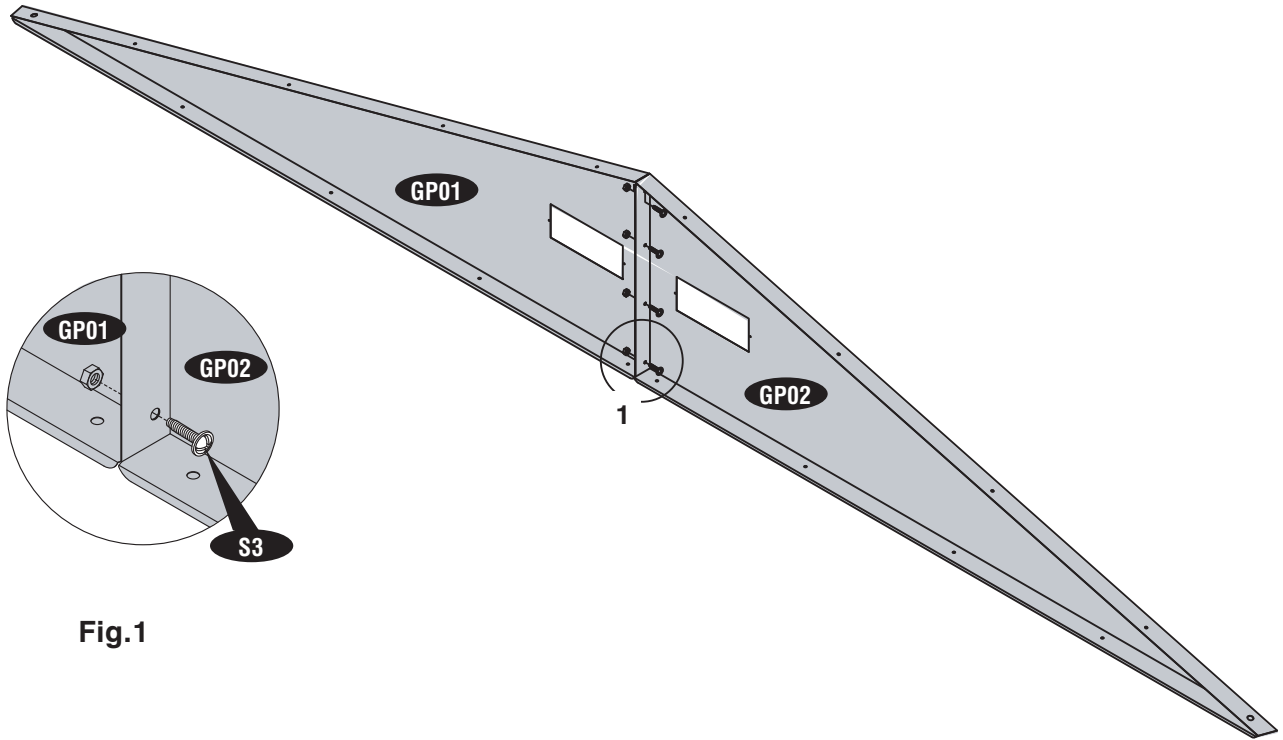


Fig.1

Step - 30

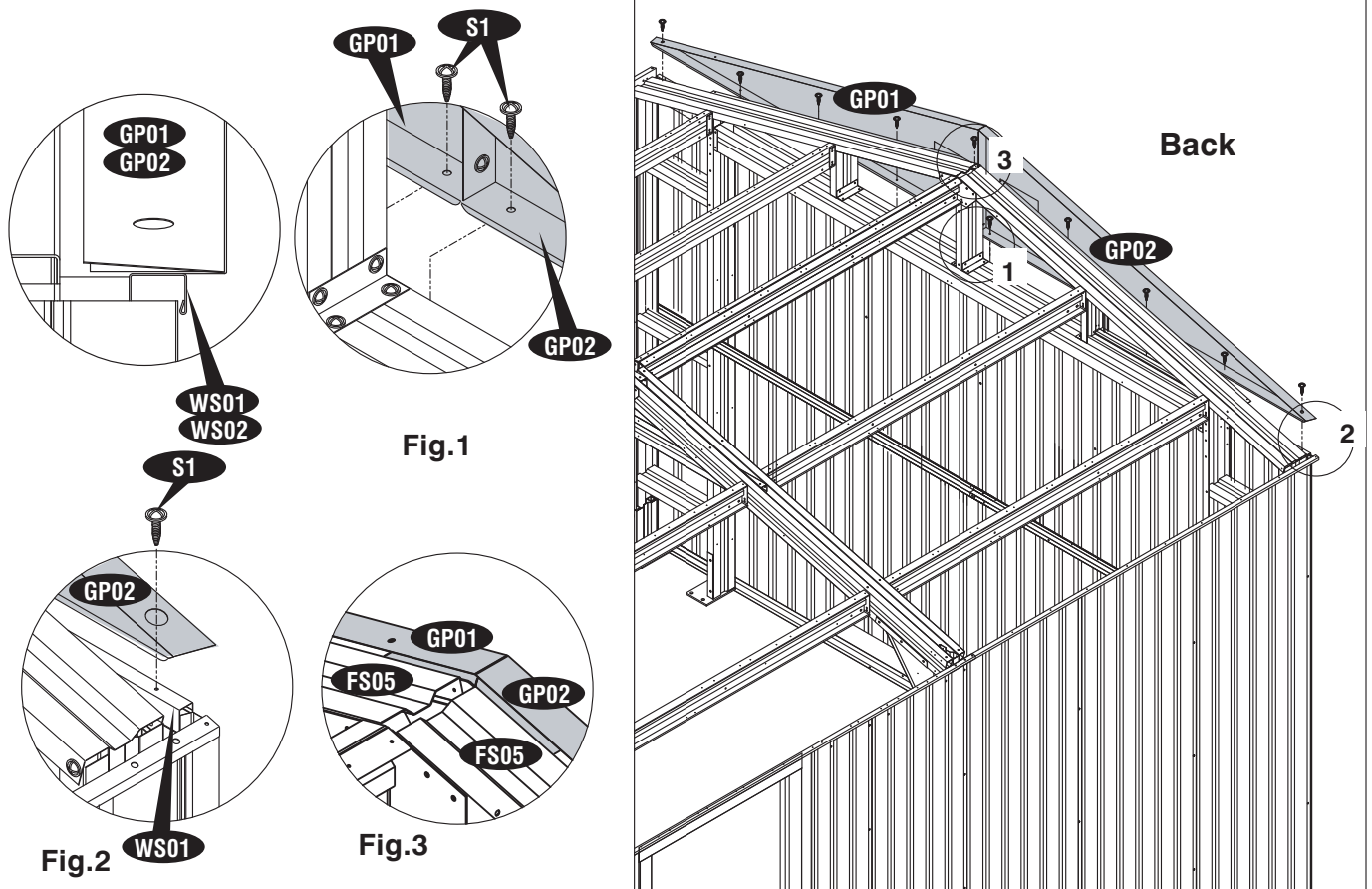


Fig.1

Fig.2

Fig.3

IMPORTANT: USE HAND GLOVES TO PREVENT INJURY.

Step - 31

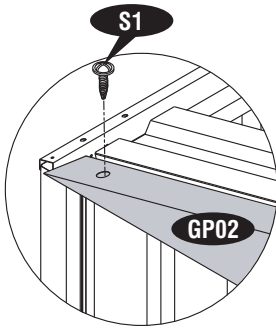


Fig.1

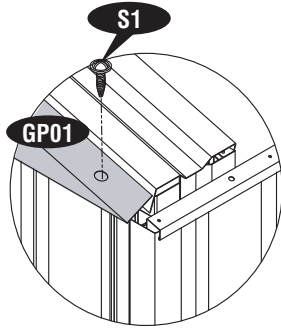


Fig.2

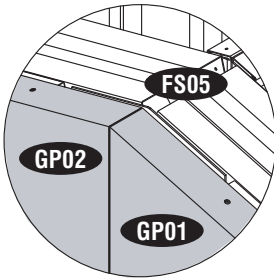
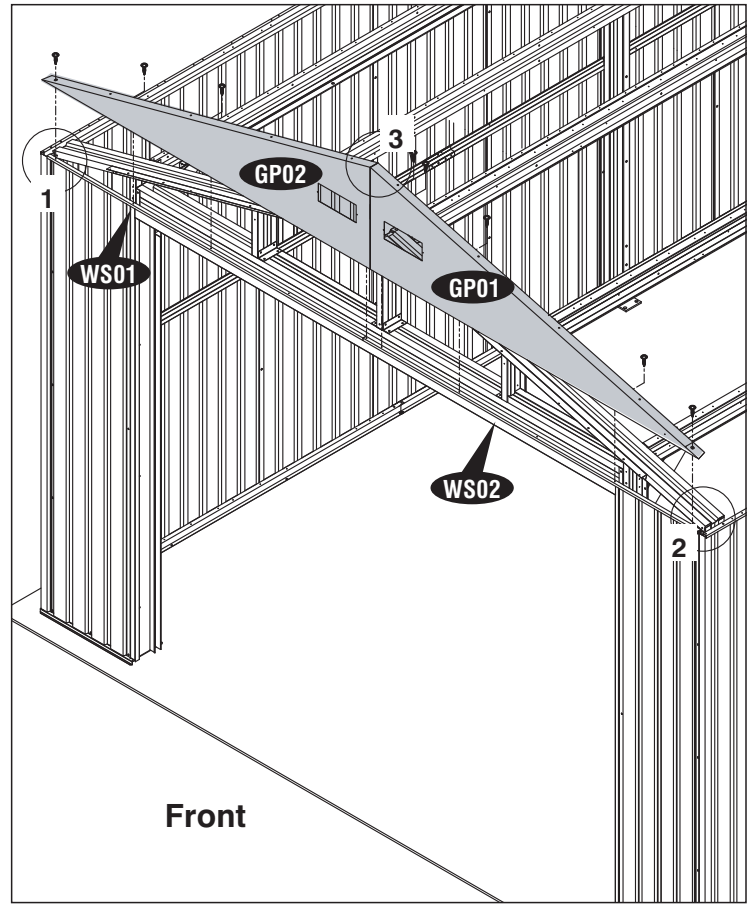
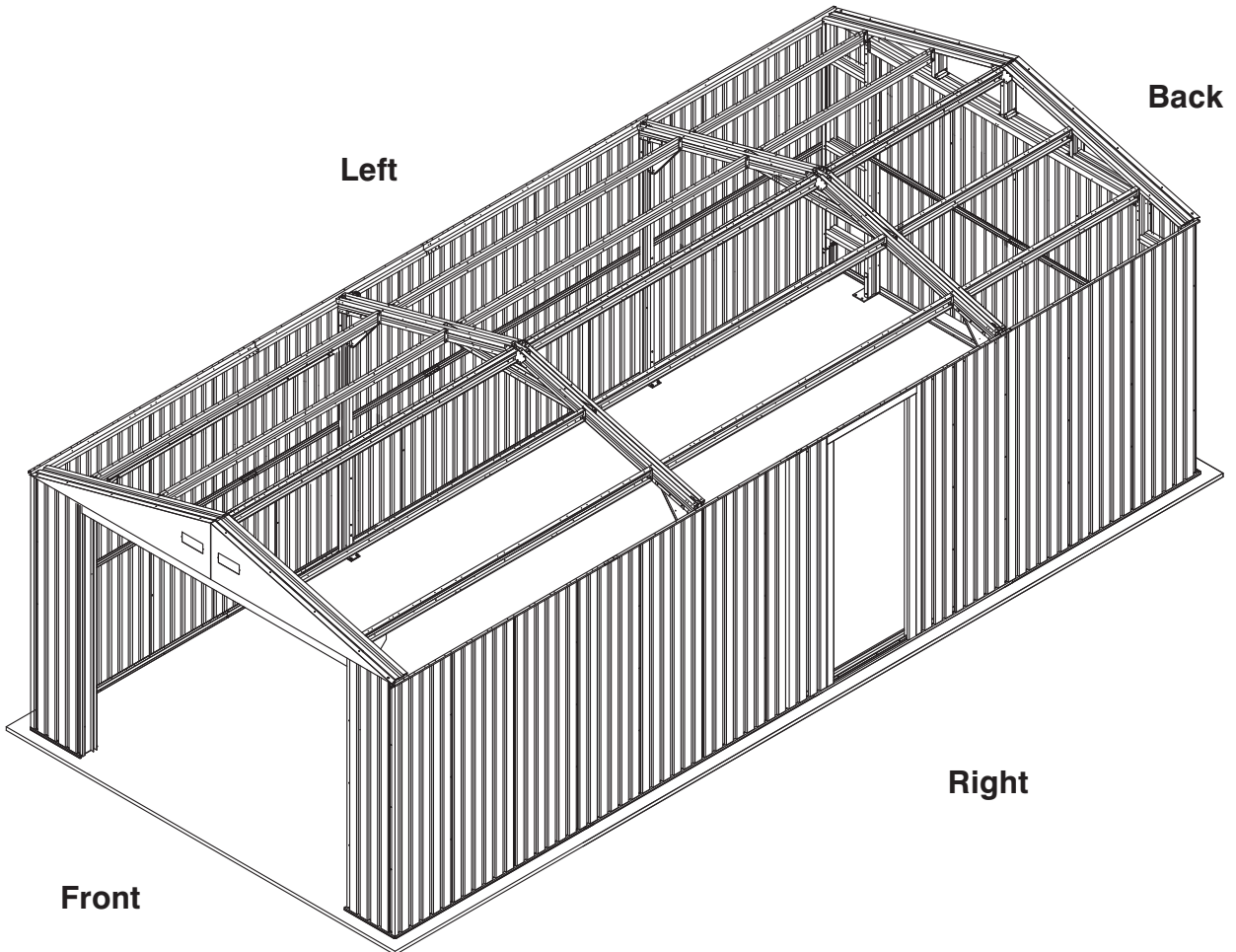


Fig.3



Front



Front

Left

Right

Back

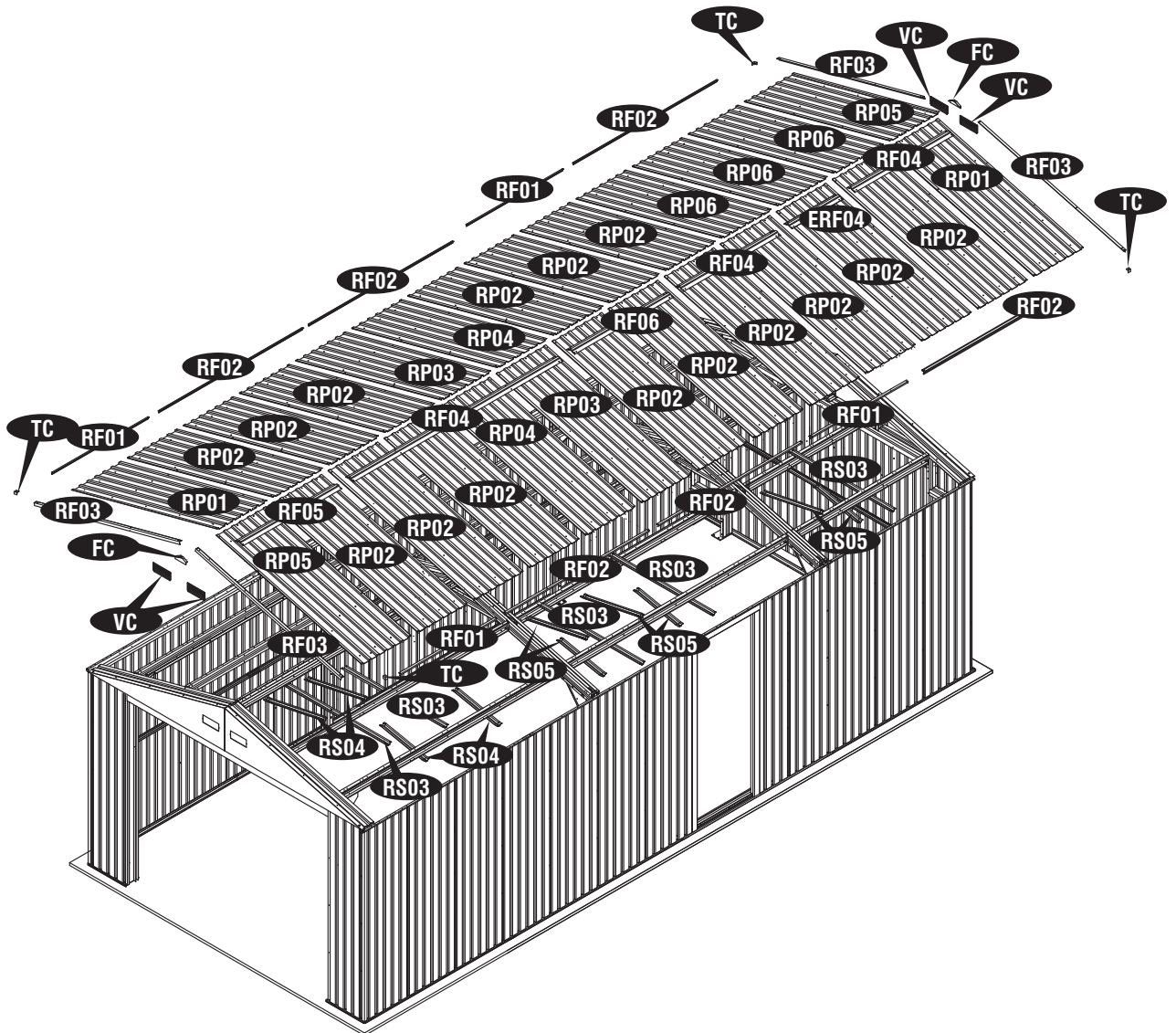
F. Roof Panel Installations and Accessories

Parts Needed:

Code	Qty	Code	Qty
RP01	2	WST	8 Meter
RP02	12	FC	2
RP03	2	VC	4
RP04	2	TC	4
RP05	2	S1	254
RF01	4	S2	28
RF02	4	S3	62
RF03	4	S9	24
RF04	3	PW	332
RF05	1		
RF06	1		
RS03	4		
RS04	4		
RS05	4		

Parts Needed for each extension:

Code	Qty
RP02	3
RP06	3
RF02	2
RF04	1
ERF04	1
RS03	1
RS05	2
ERF04	1
WST	2.5 Meter
S1	72
S2	8
S3	18
S9	6
PW	60



IMPORTANT: USE HAND GLOVES TO PREVENT INJURY.

Step - 1

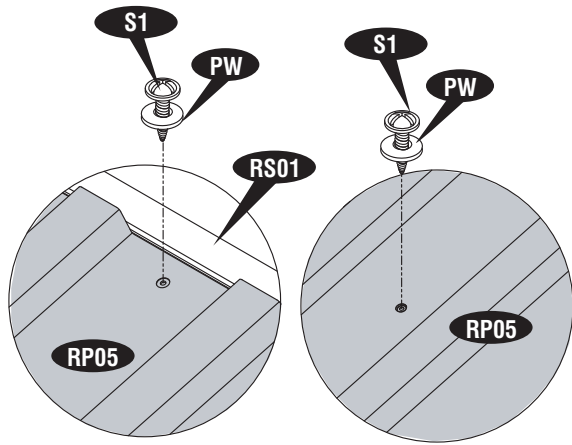
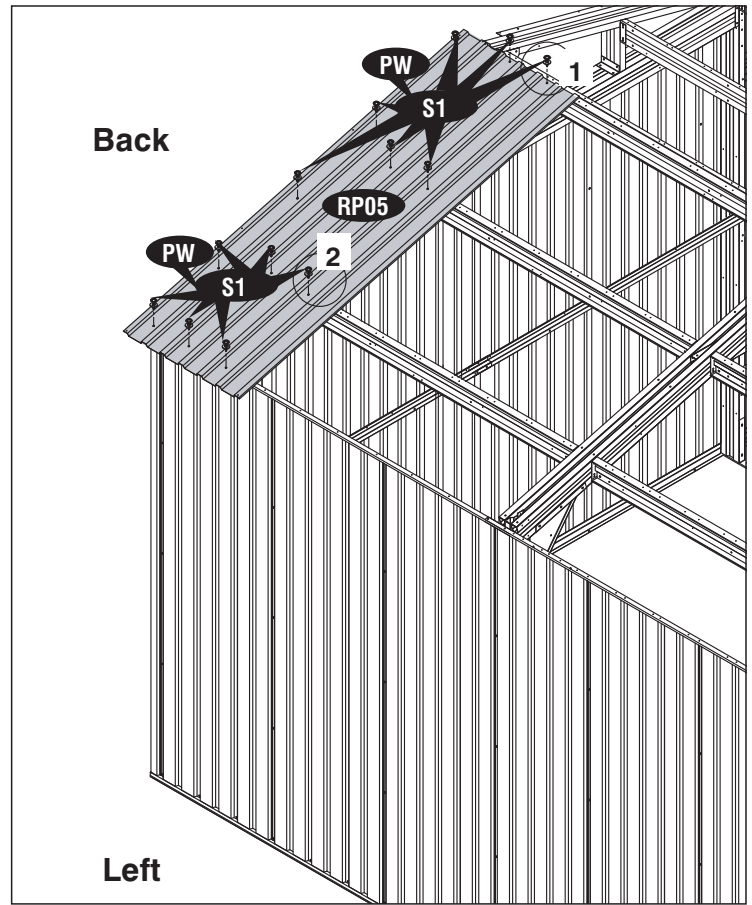


Fig.1

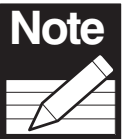
Fig.2



Step -2



Note Make sure the overlapping position for roof panel is as shown in blow up.



Note Roof Panel installation by using ladder from inside at missing Panels.

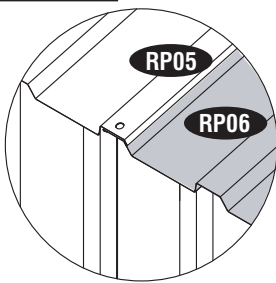


Fig.1

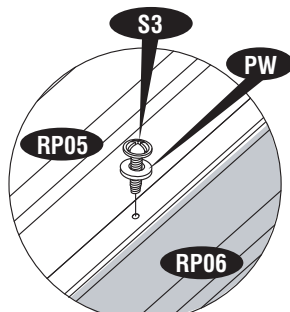


Fig.2

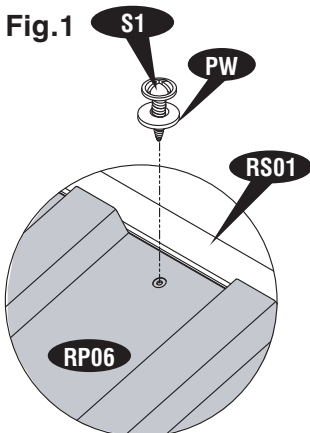


Fig.3

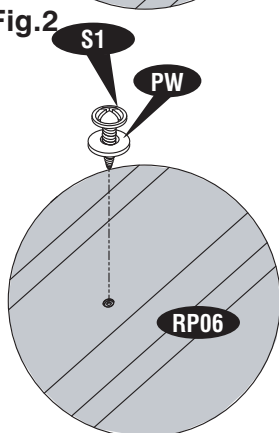
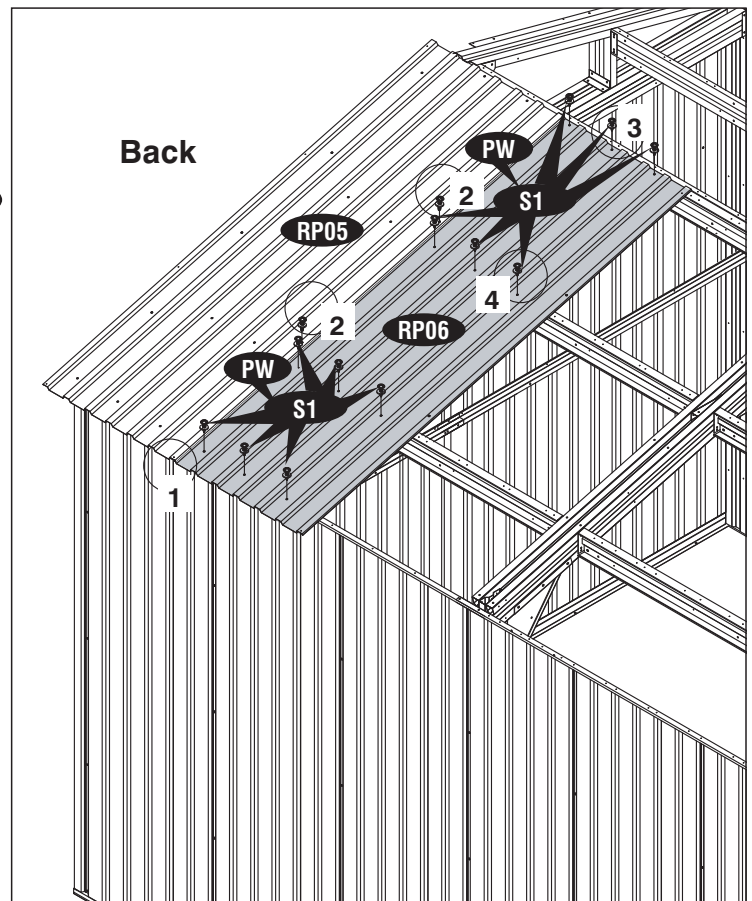


Fig.4



Step -3

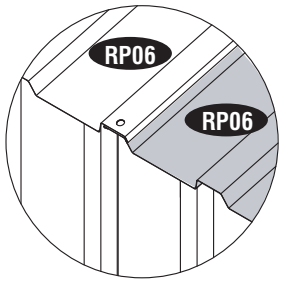


Fig.1

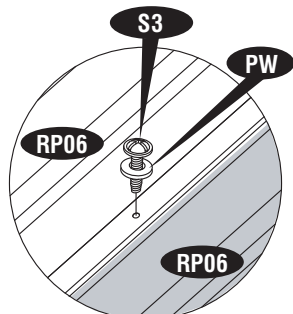


Fig.2

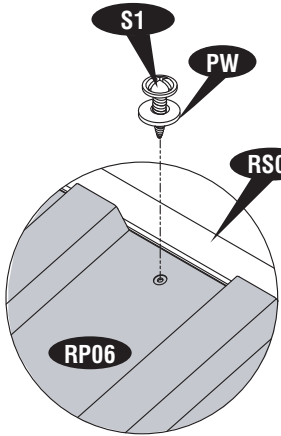


Fig.3

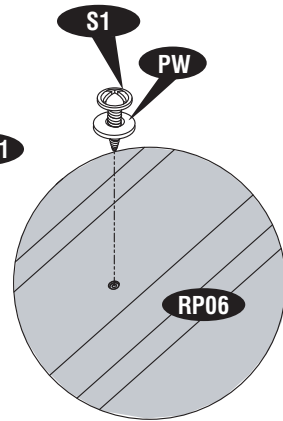
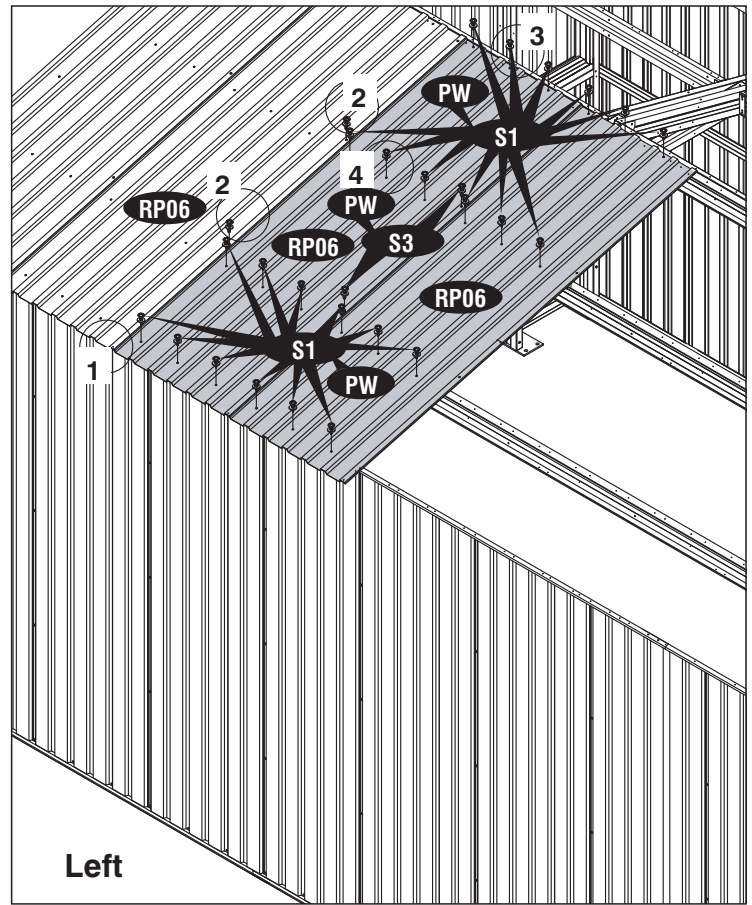


Fig.4



Step -4

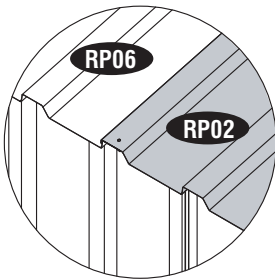


Fig.1

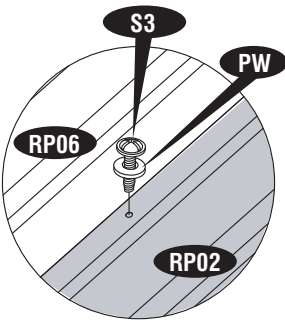


Fig.2

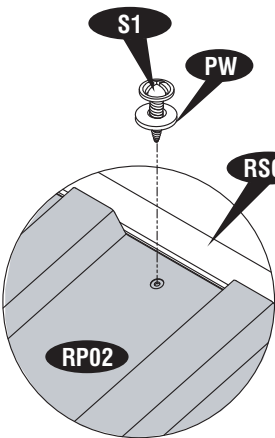


Fig.3

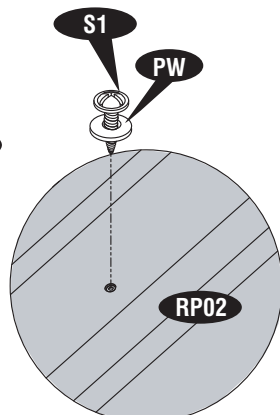
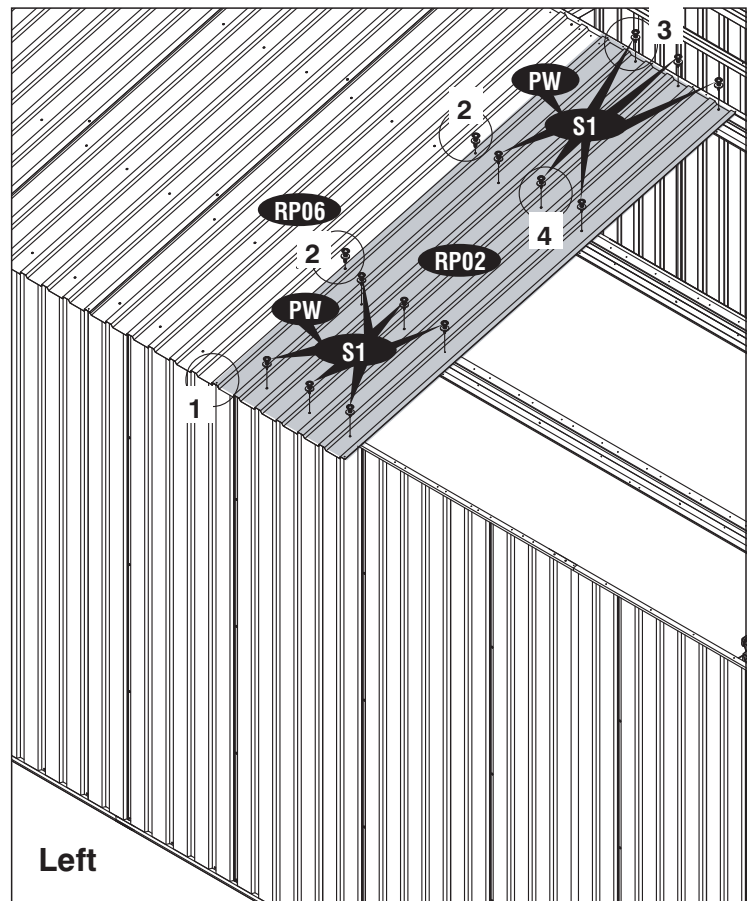


Fig.4



IMPORTANT: USE HAND GLOVES TO PREVENT INJURY.

Step -5

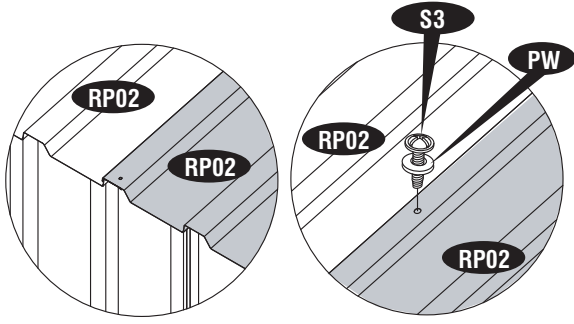


Fig.1

Fig.2

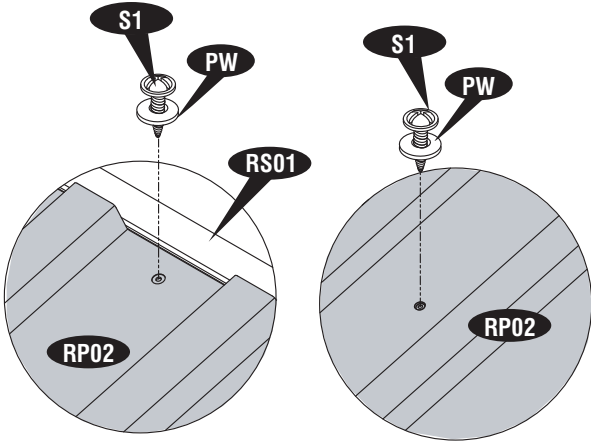
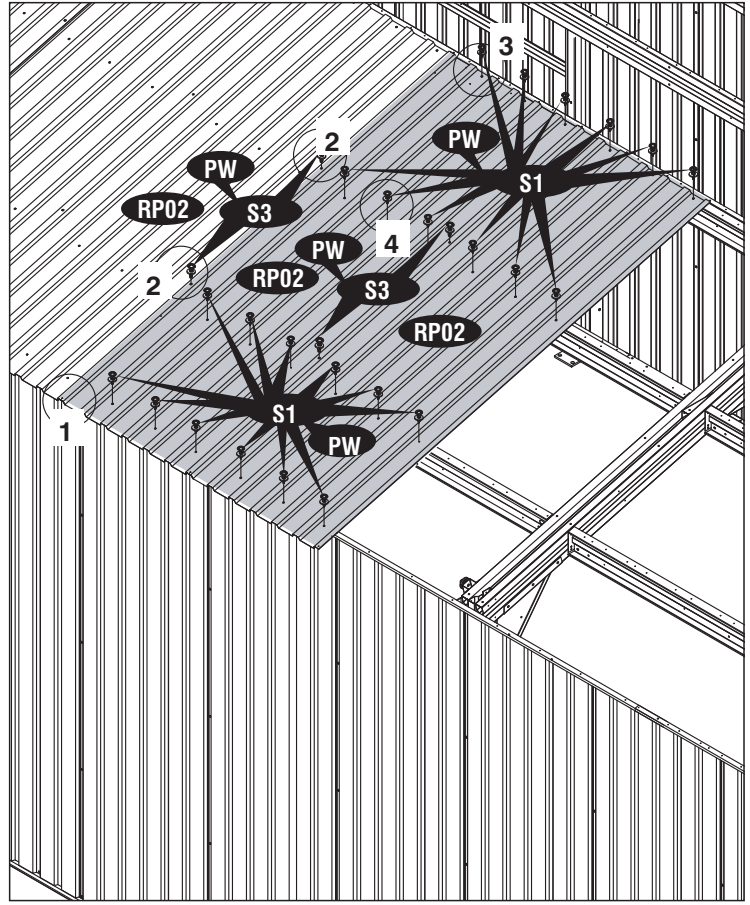


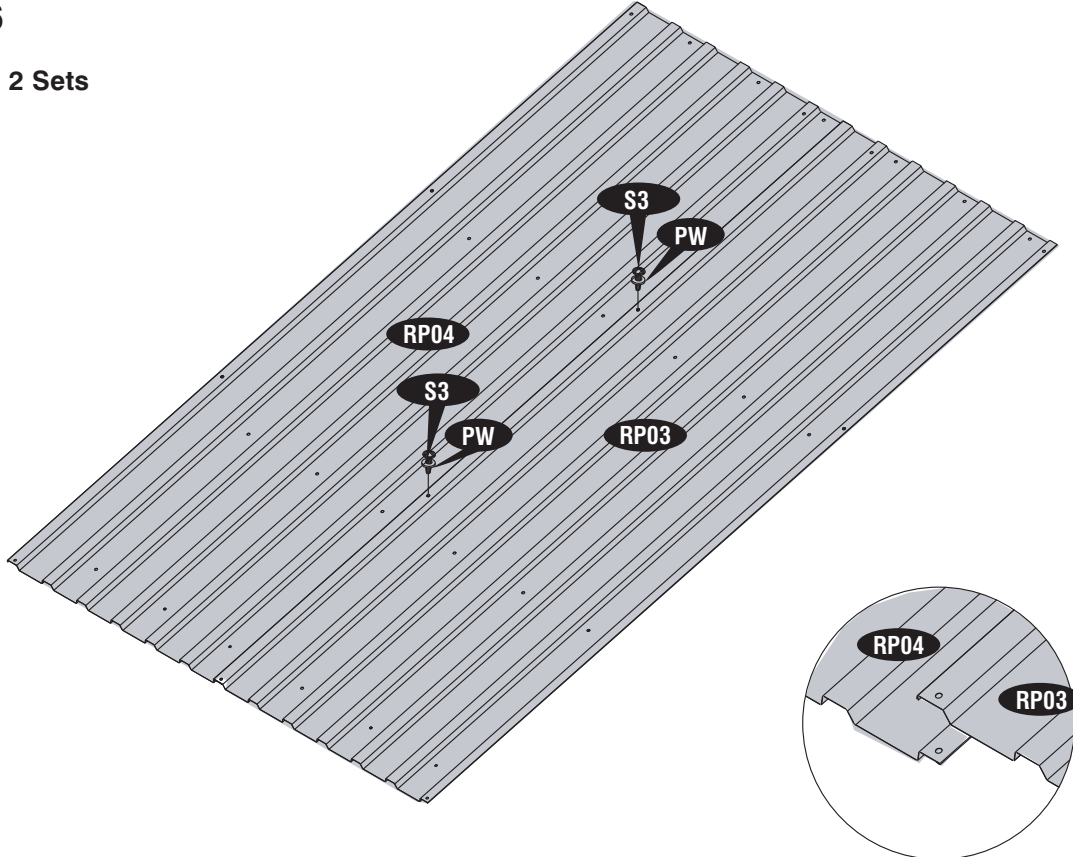
Fig.3

Fig.4

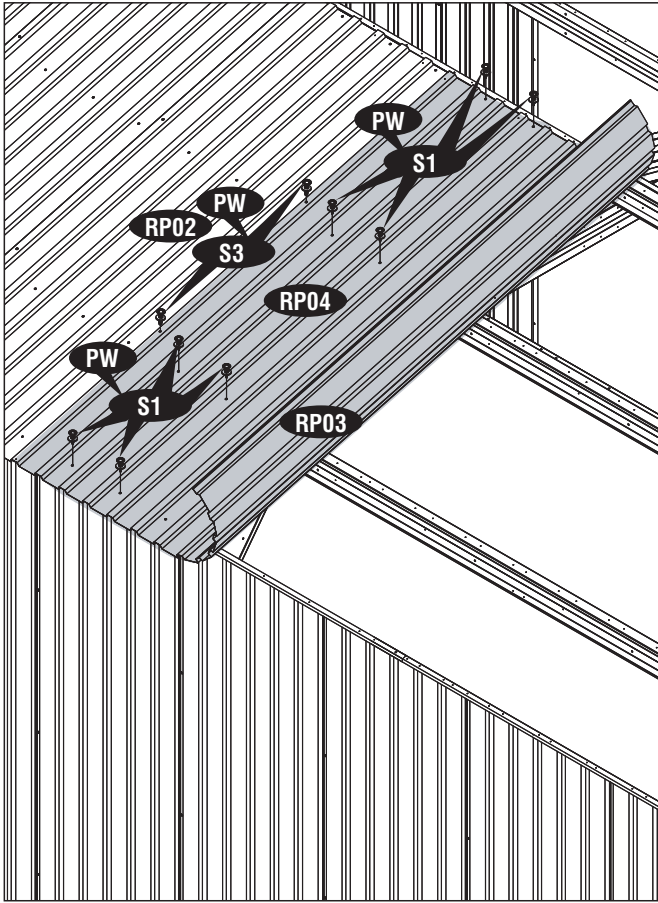


Step -6

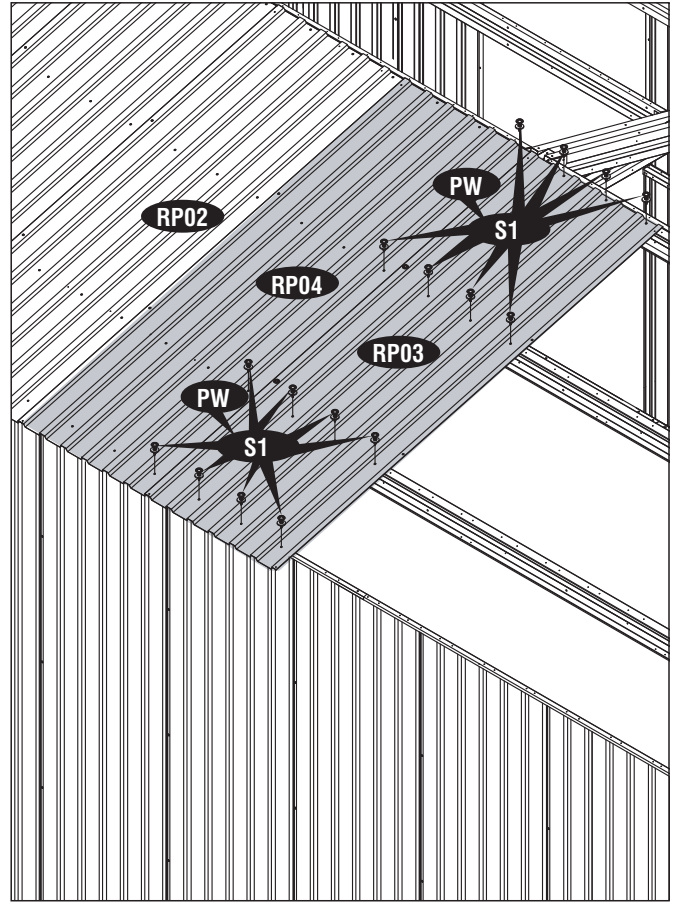
Make 2 Sets



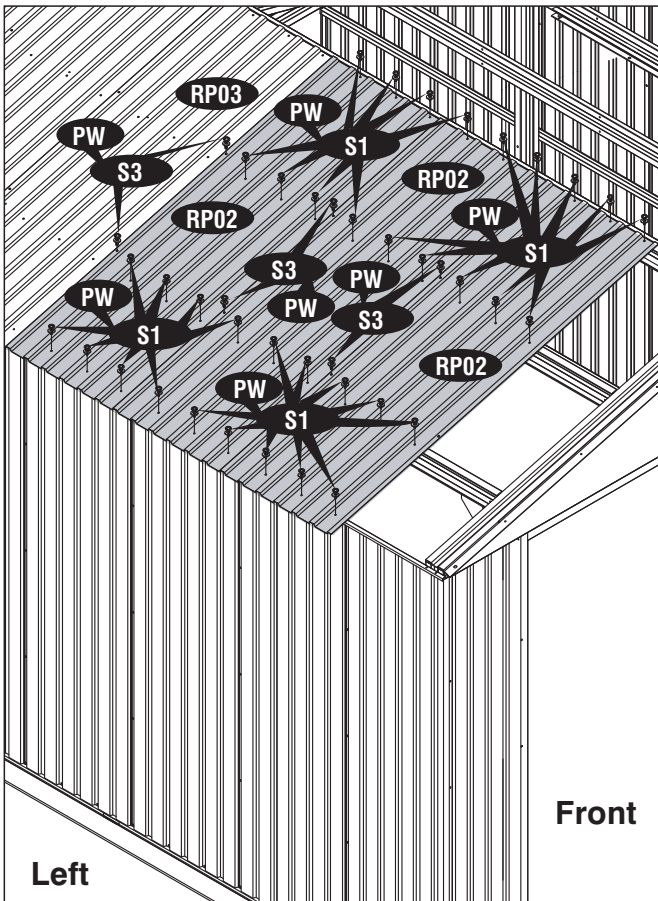
Step -7



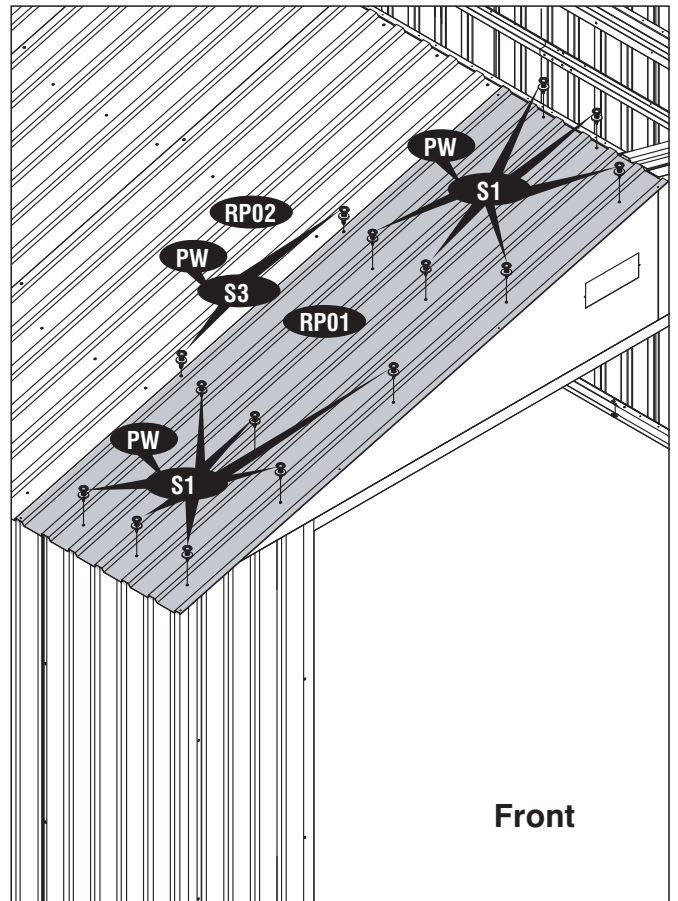
Step -8



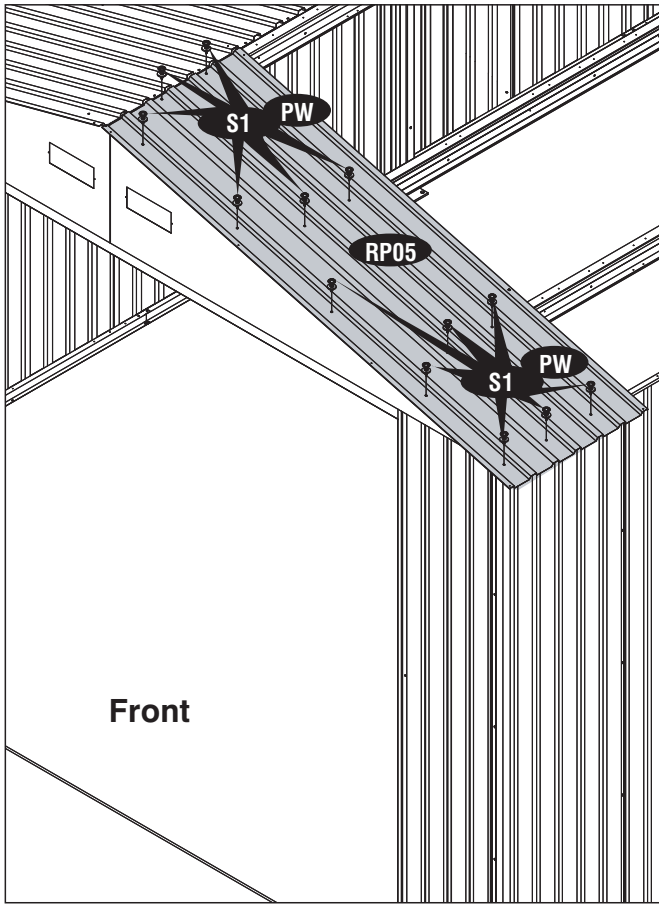
Step -9



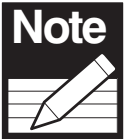
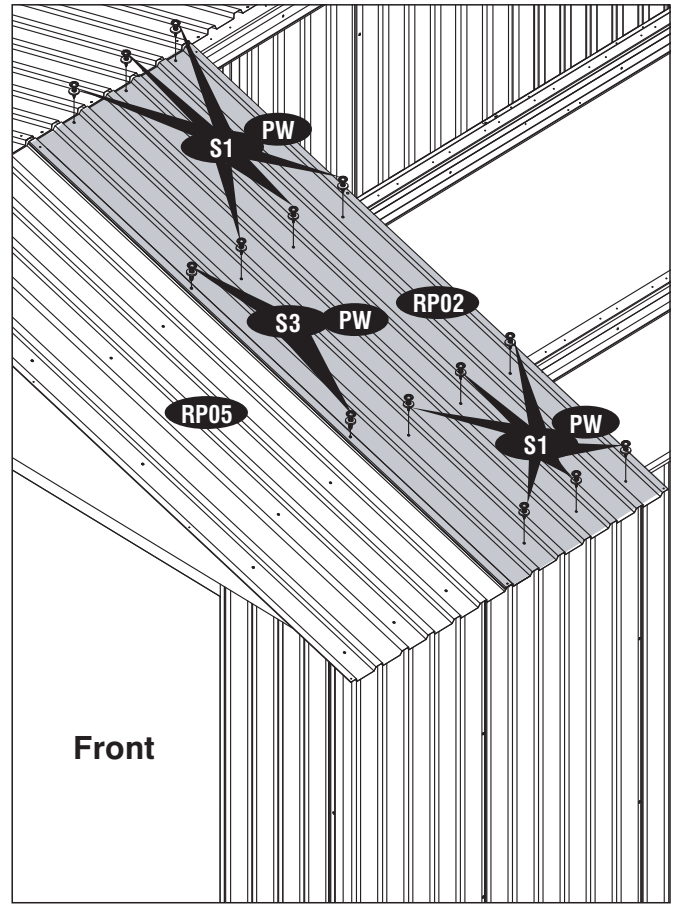
Step -10



Step - 11



Step - 12



Note Roof Panel installation by using ladder from inside at missing Panels.

Step - 13

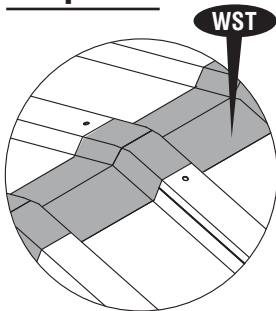


Fig.1

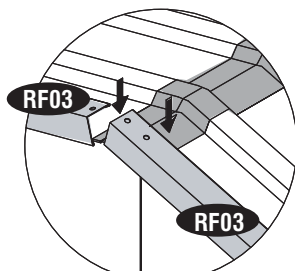


Fig.2

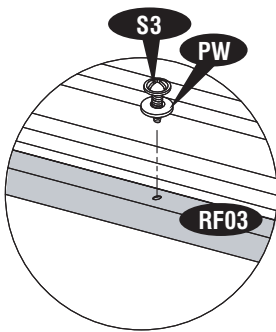


Fig.3

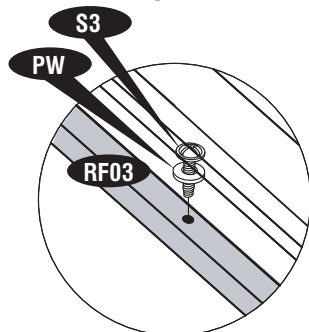
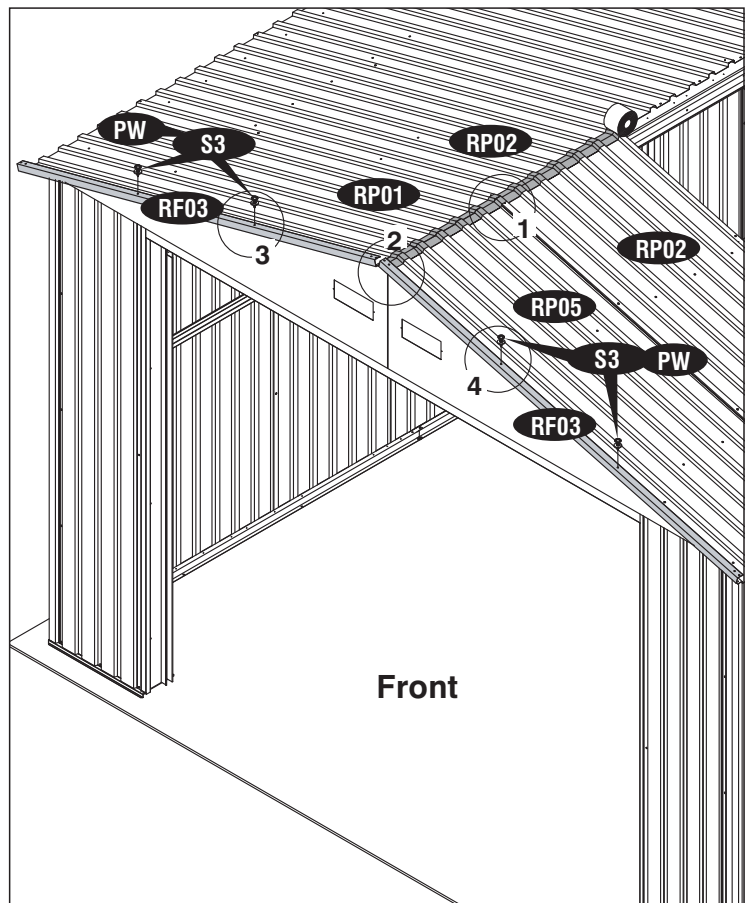


Fig.4



Step - 14

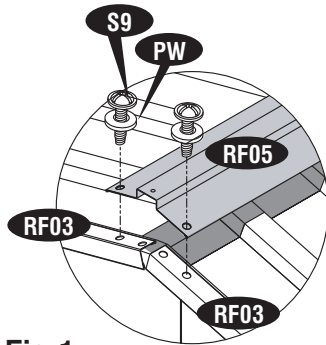


Fig.1

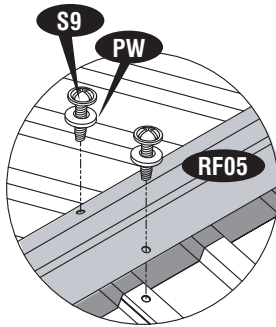
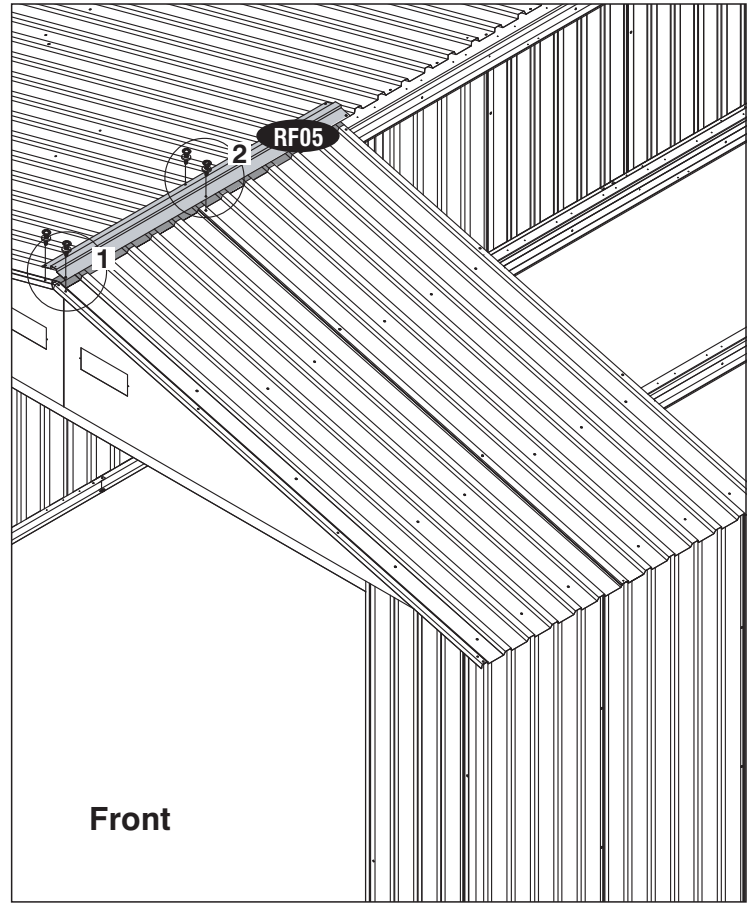
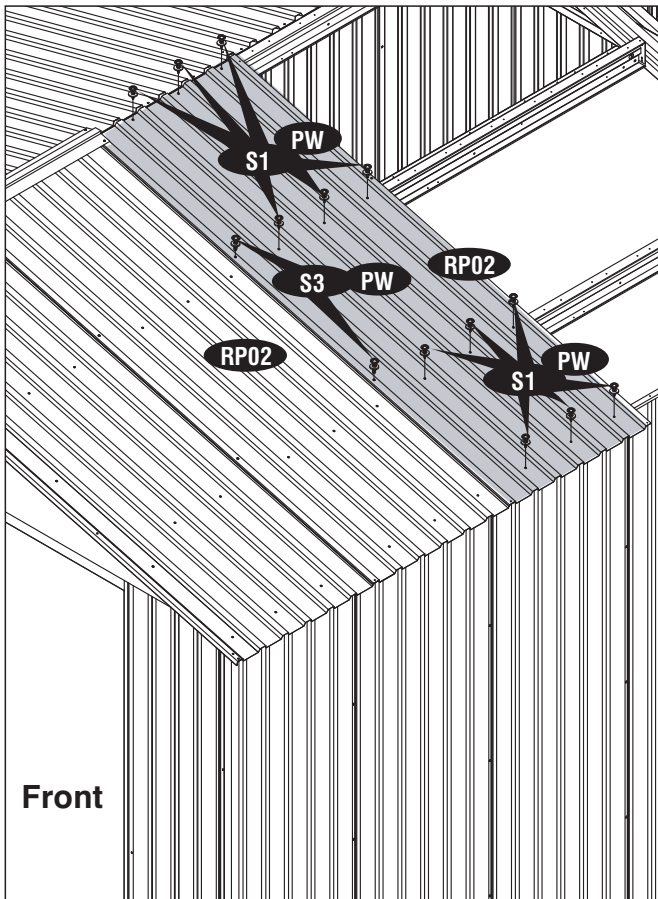


Fig.2



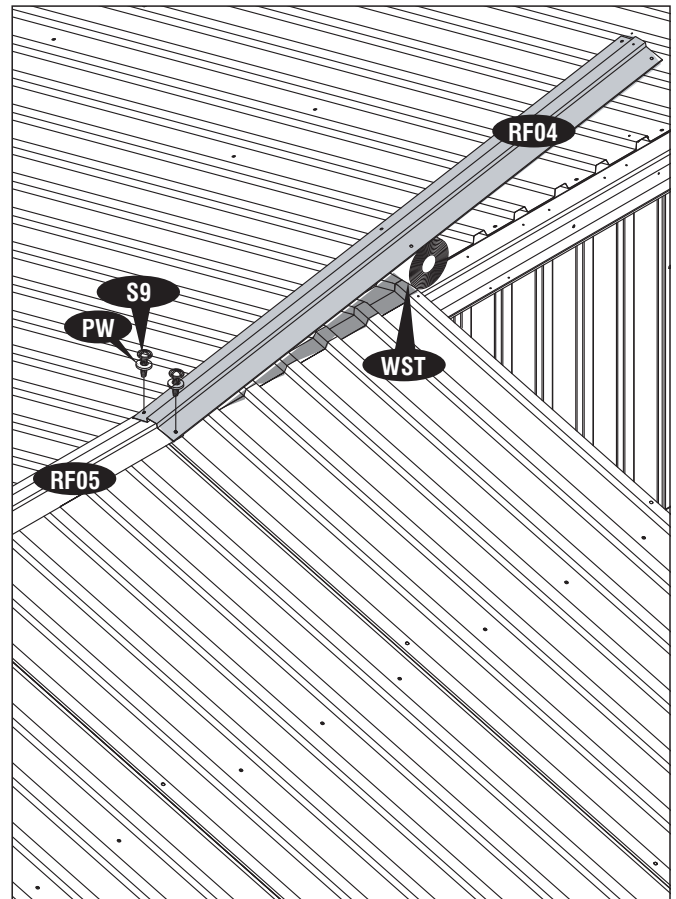
Front

Step - 15



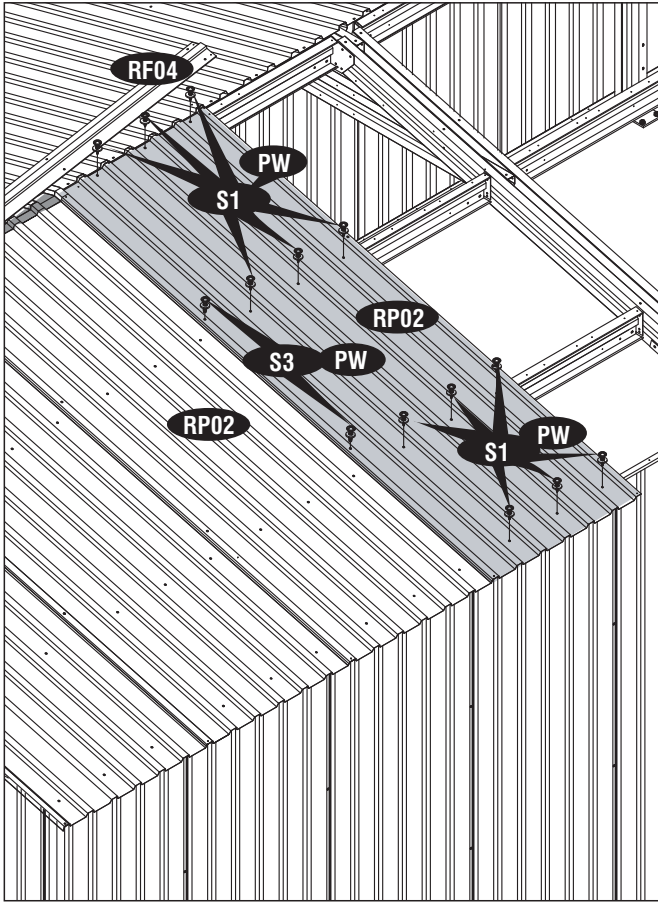
Front

Step - 16

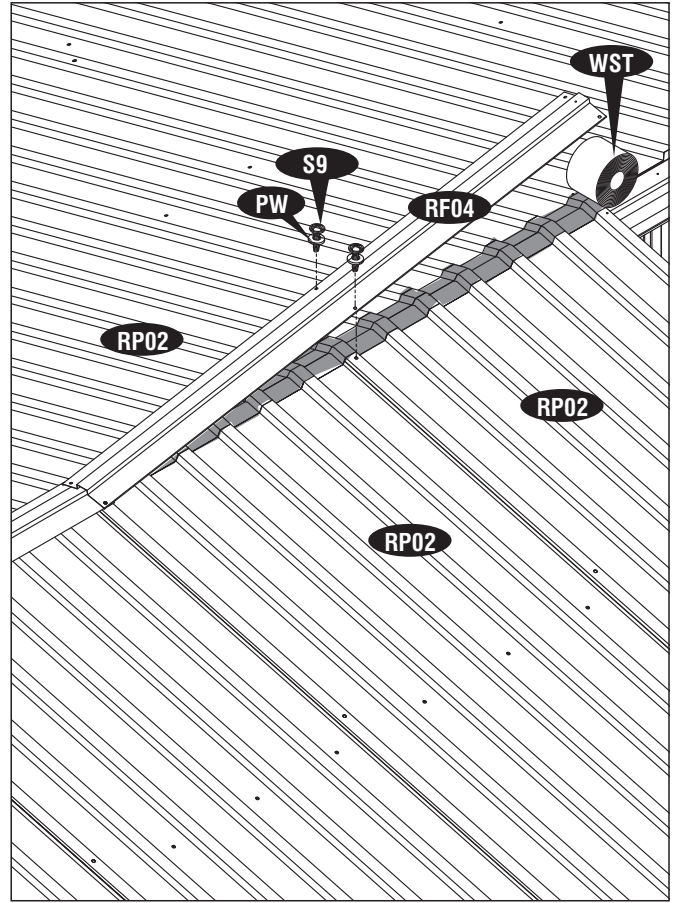


IMPORTANT: USE HAND GLOVES TO PREVENT INJURY.

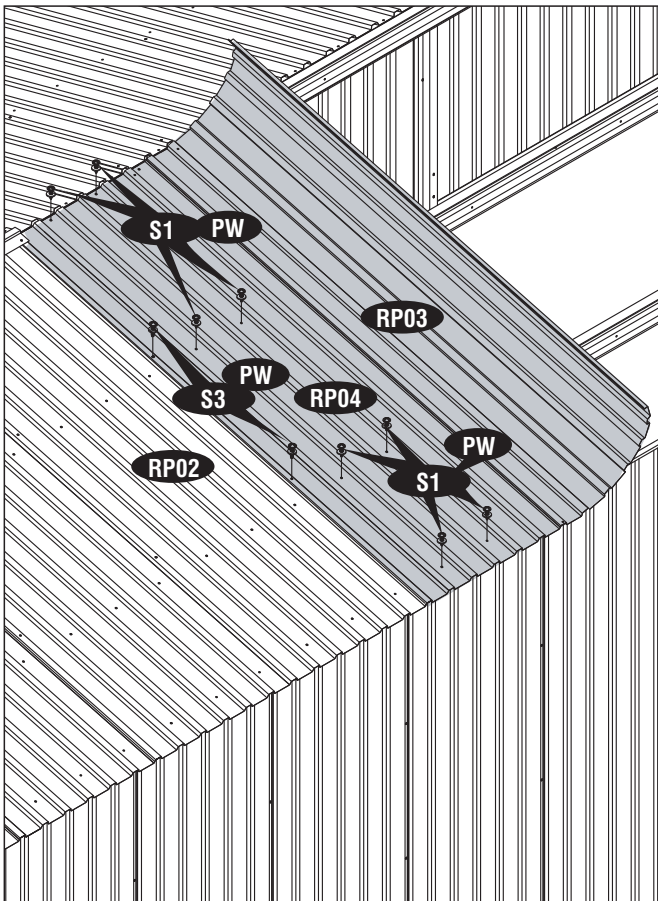
Step - 17



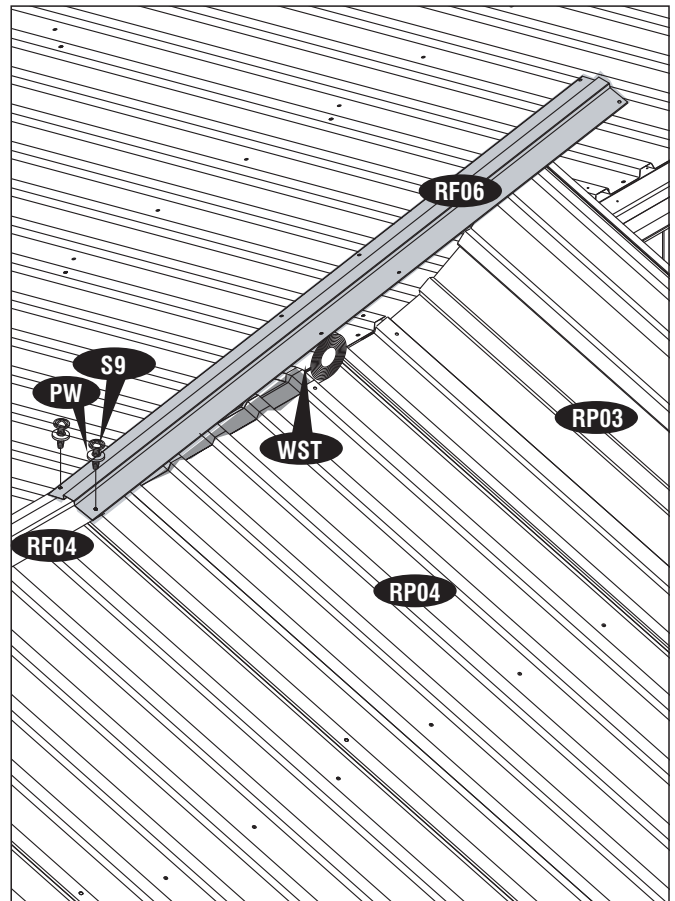
Step - 18



Step - 19

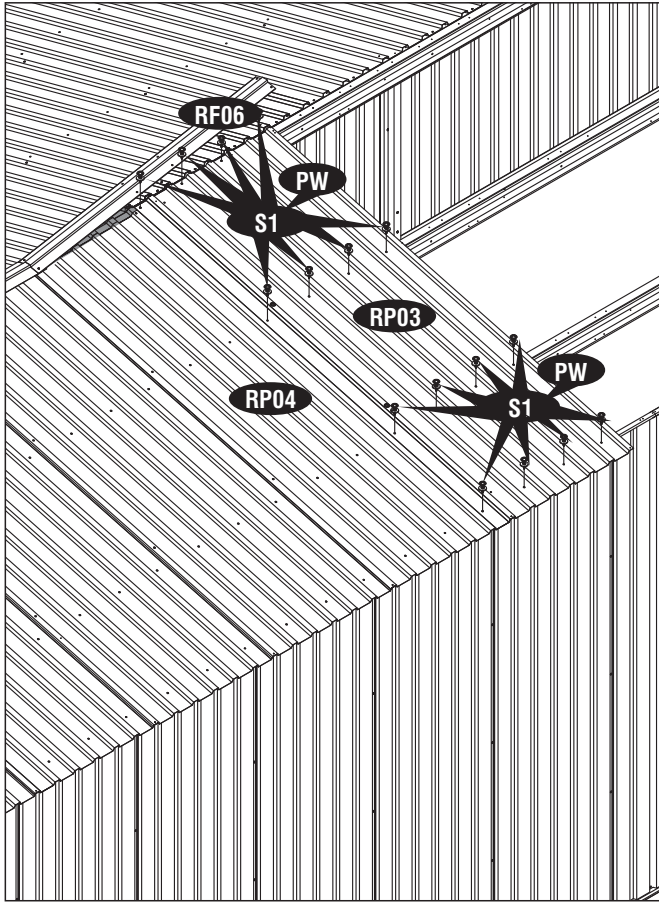


Step - 20

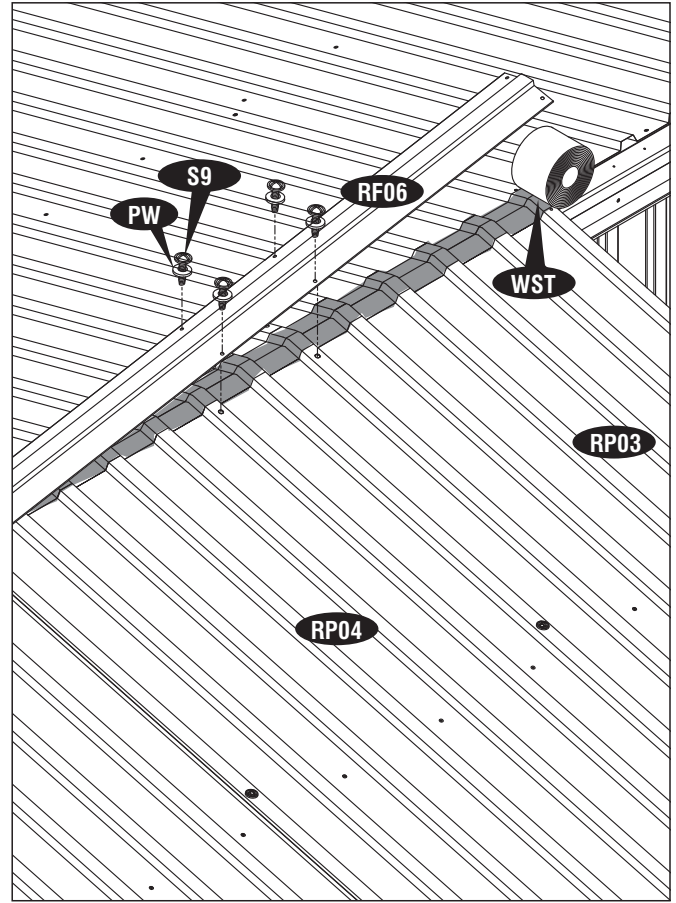


IMPORTANT: USE HAND GLOVES TO PREVENT INJURY.

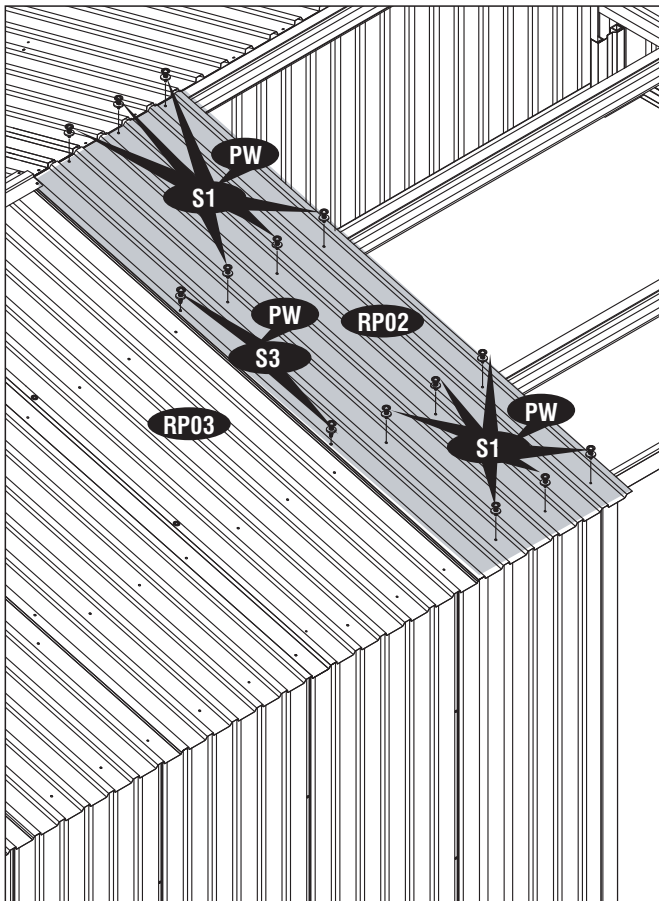
Step - 21



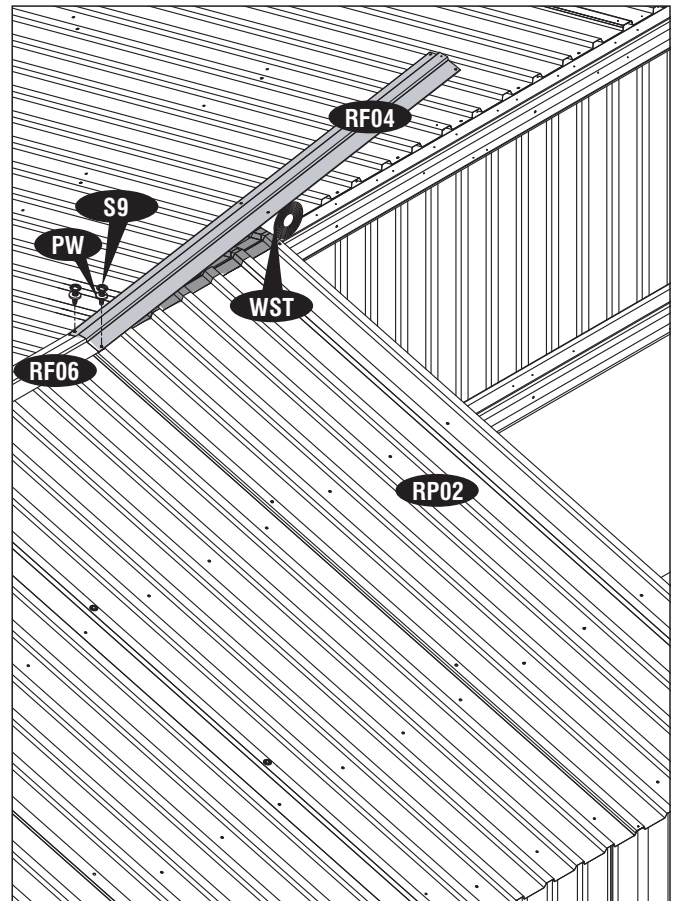
Step - 22



Step - 23

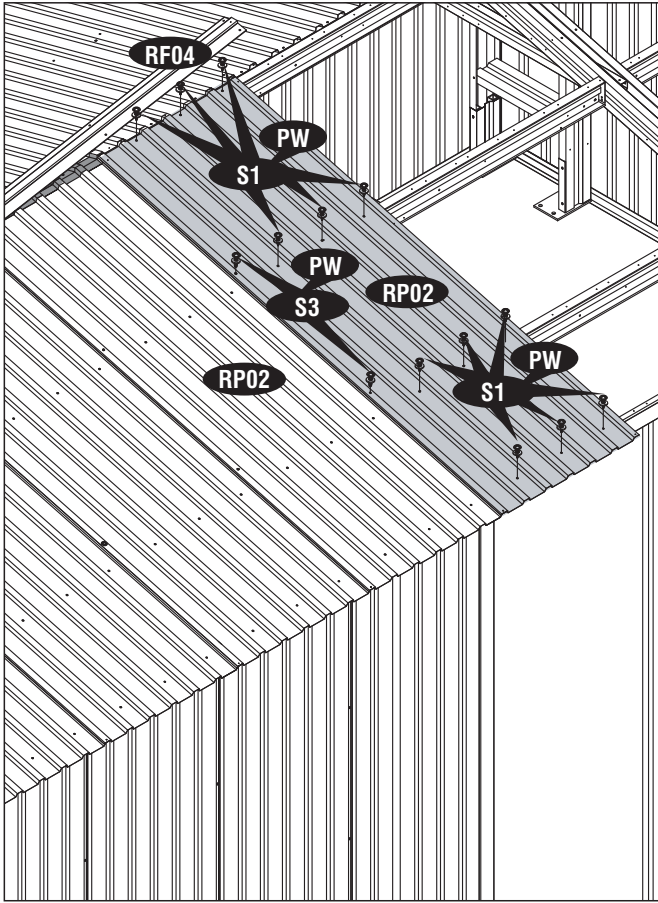


Step - 24

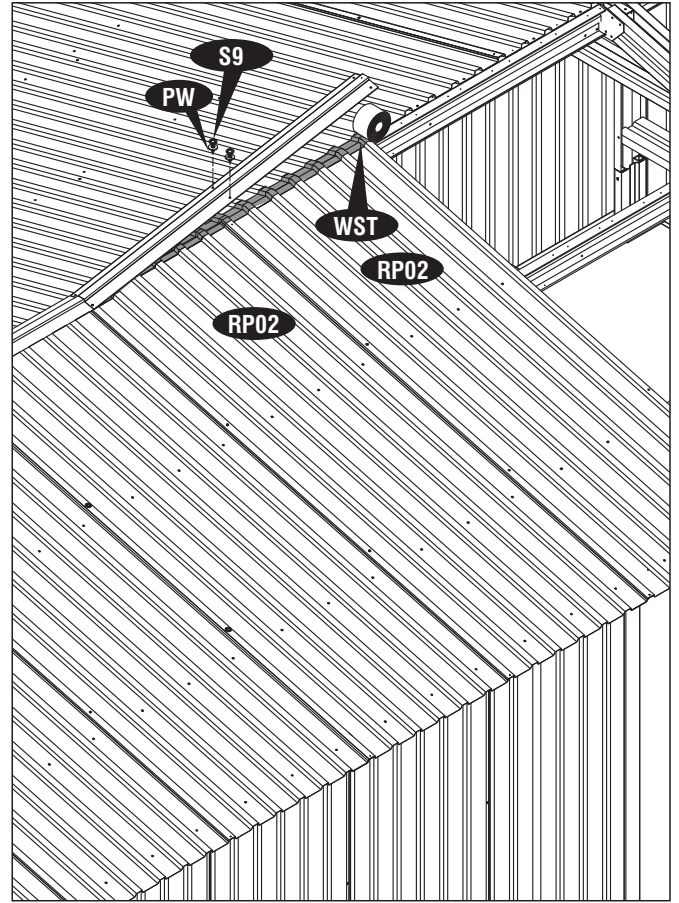


IMPORTANT: USE HAND GLOVES TO PREVENT INJURY.

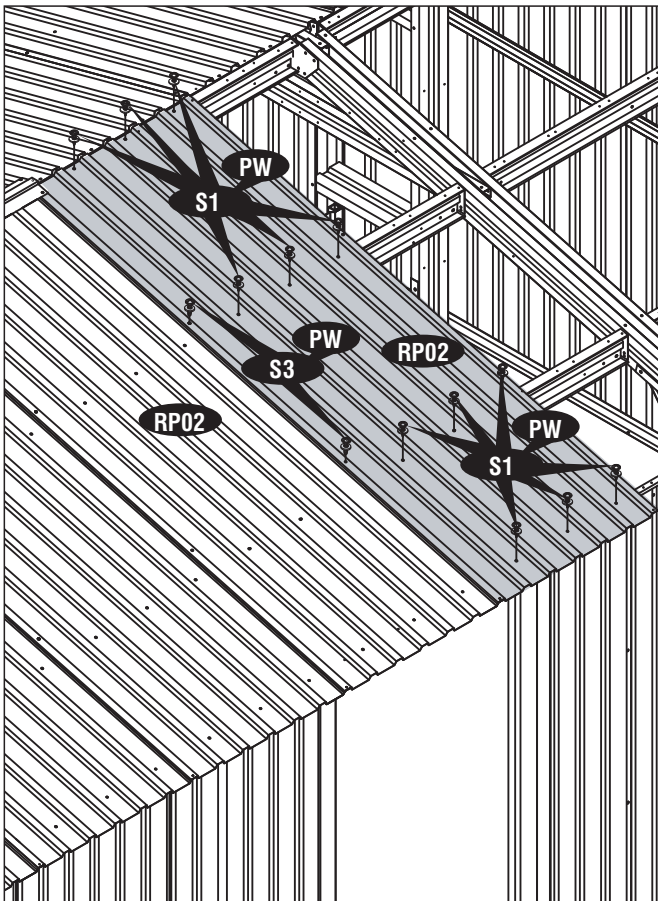
Step - 25



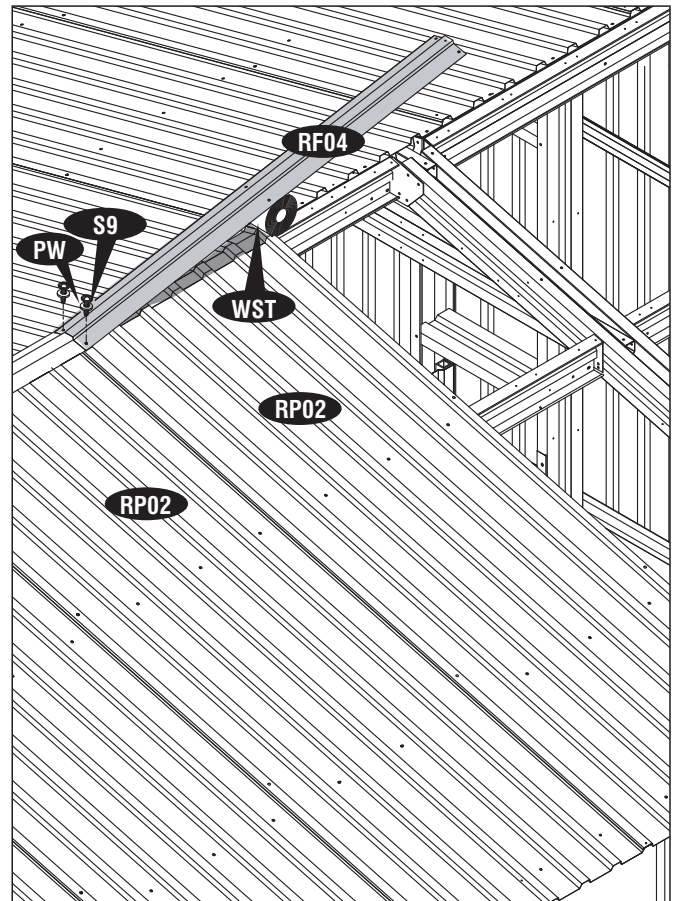
Step - 26



Step - 27

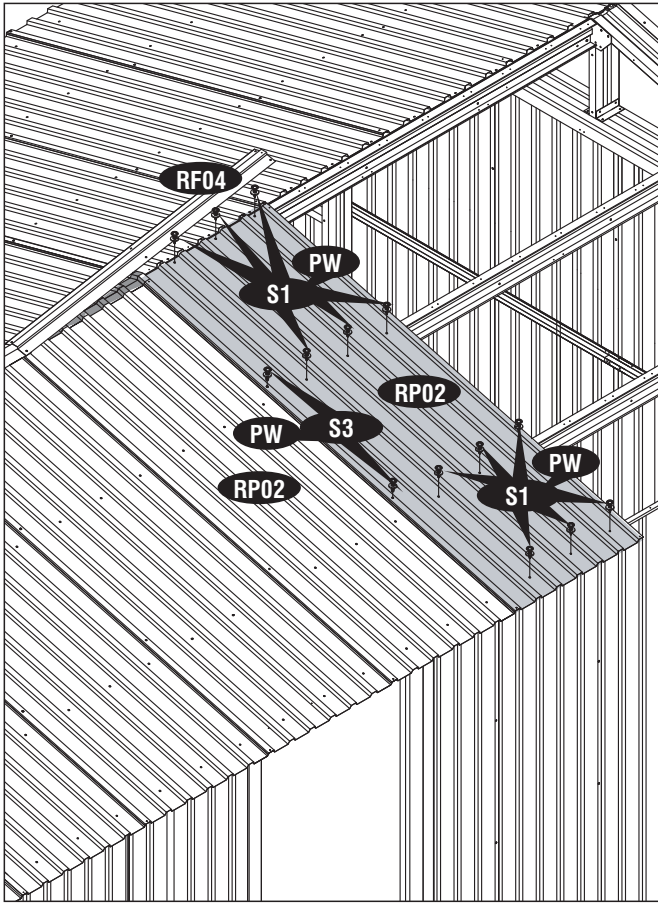


Step - 28

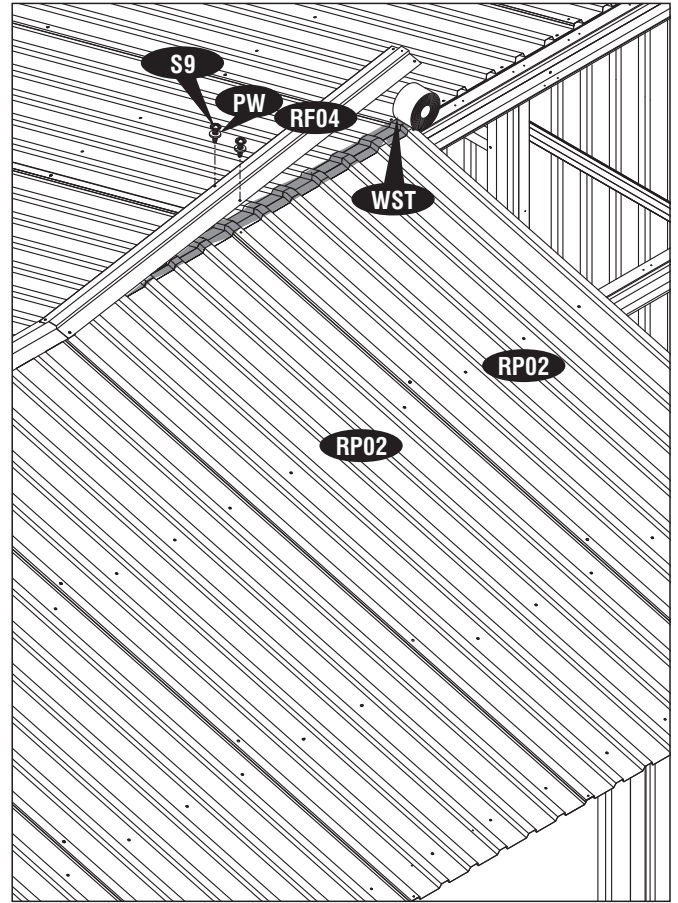


IMPORTANT: USE HAND GLOVES TO PREVENT INJURY.

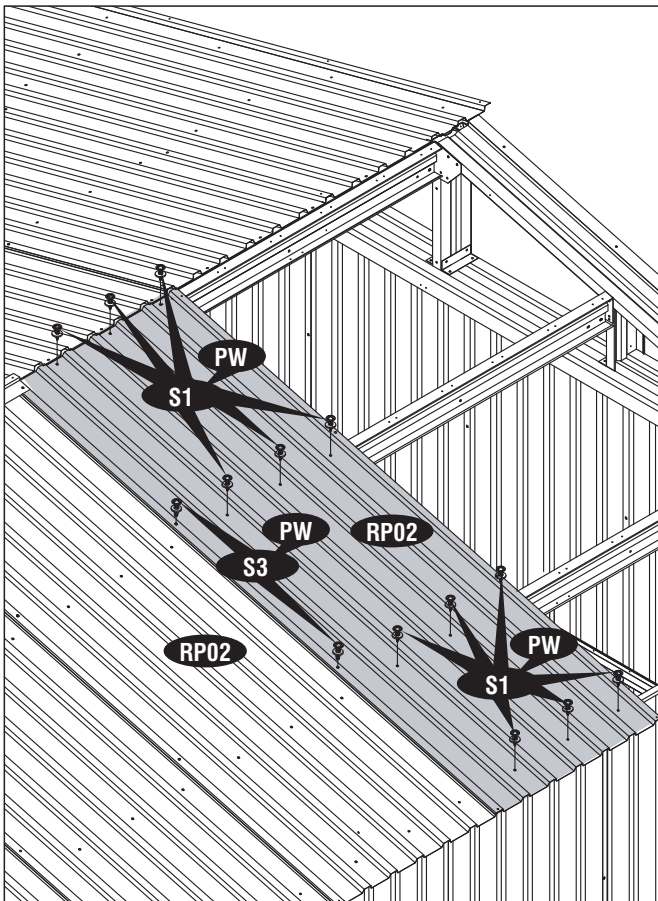
Step - 29



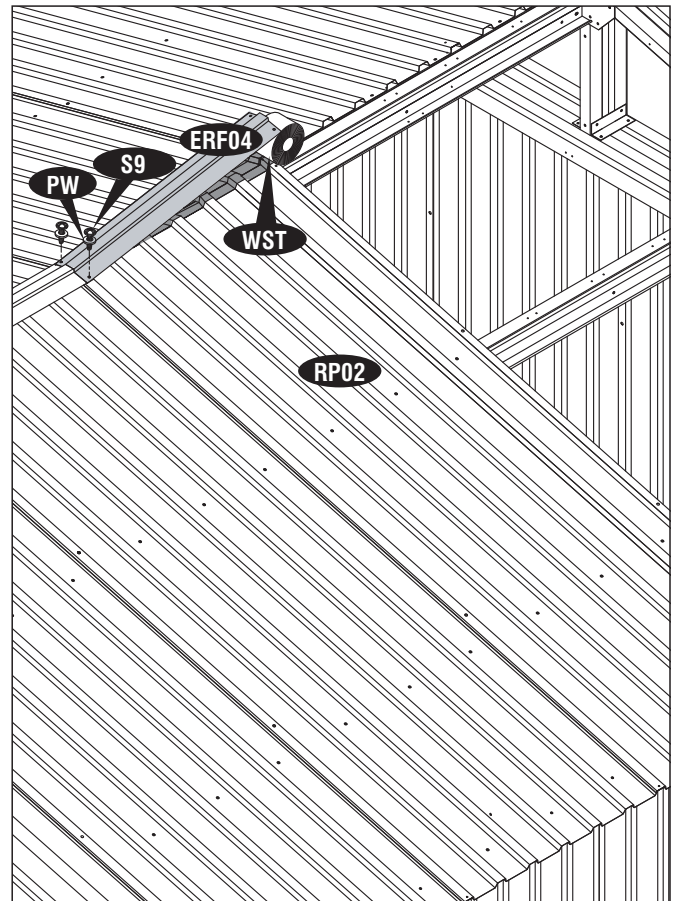
Step - 30



Step - 31

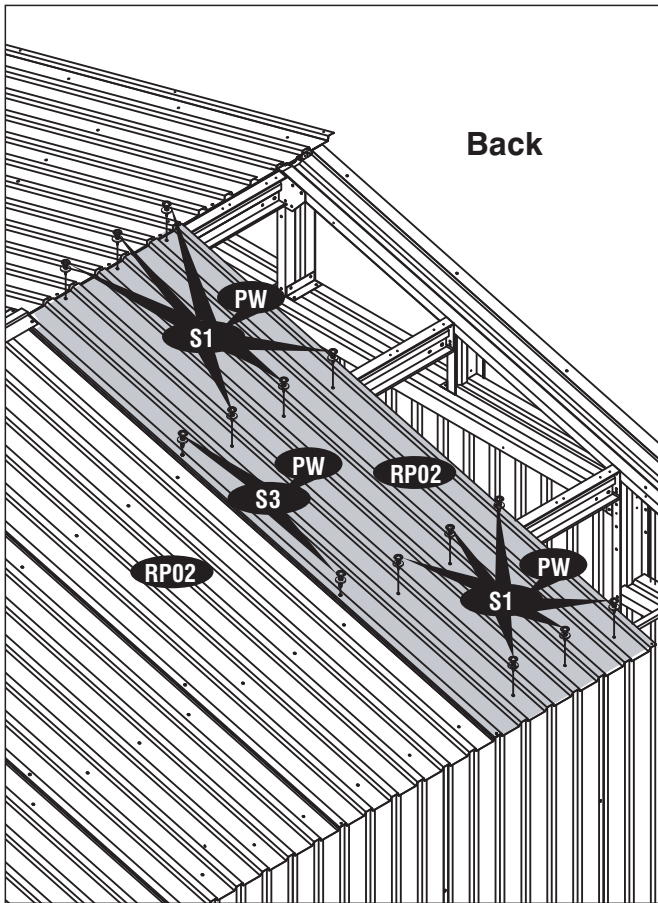


Step - 32

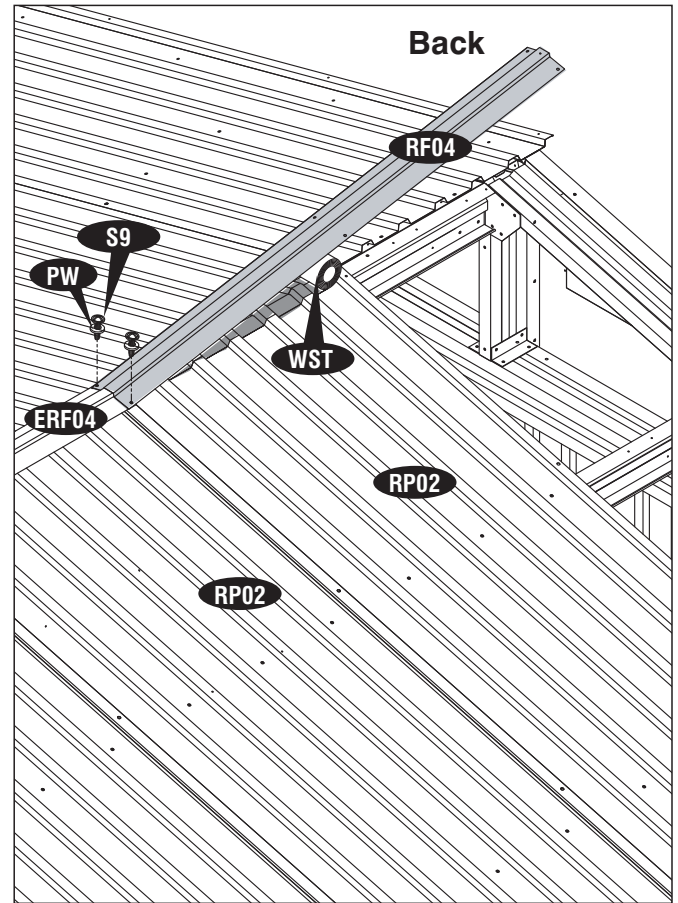


IMPORTANT: USE HAND GLOVES TO PREVENT INJURY.

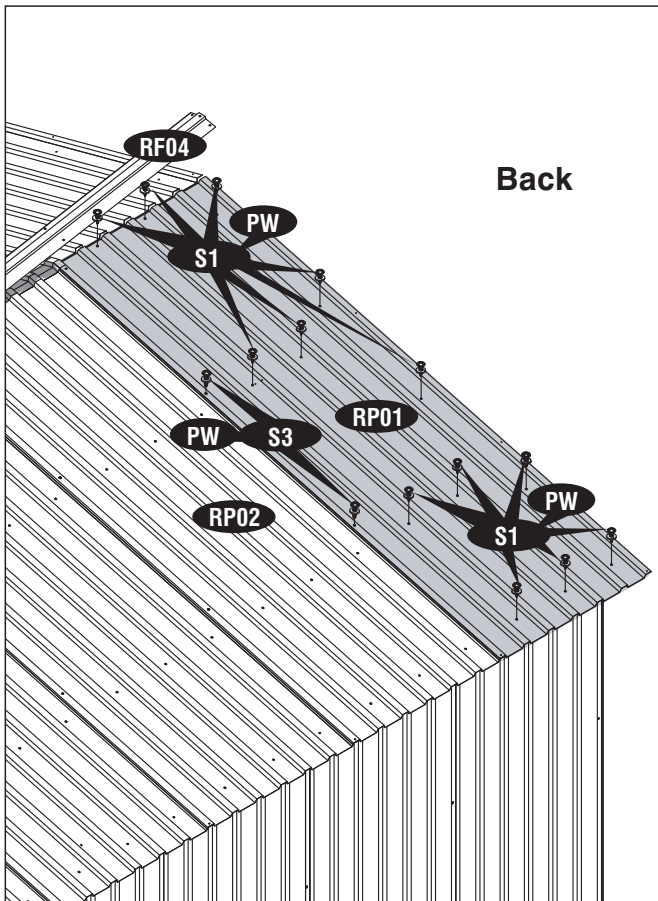
Step - 33



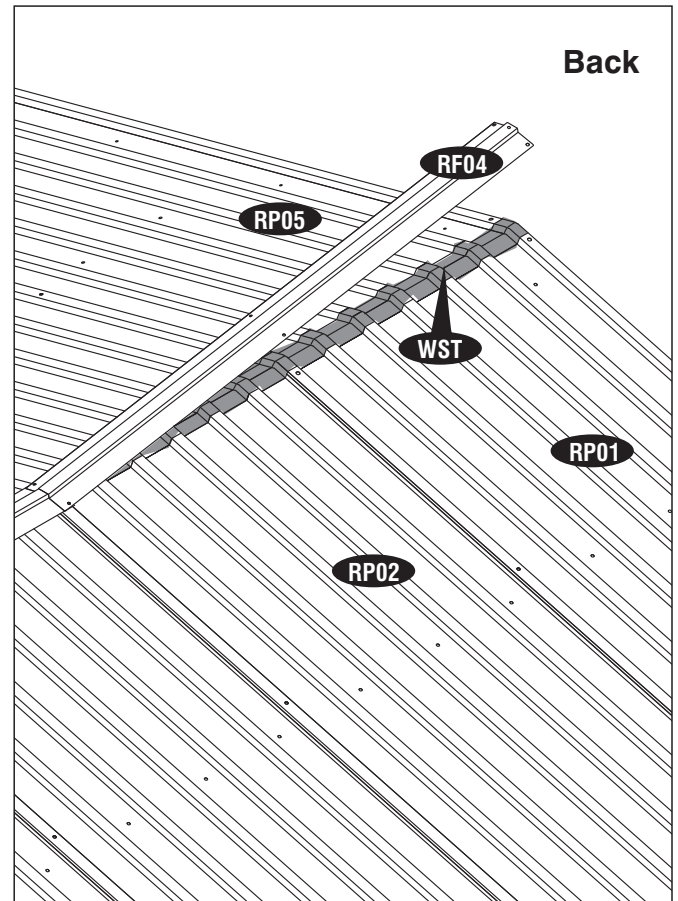
Step - 34



Step - 35

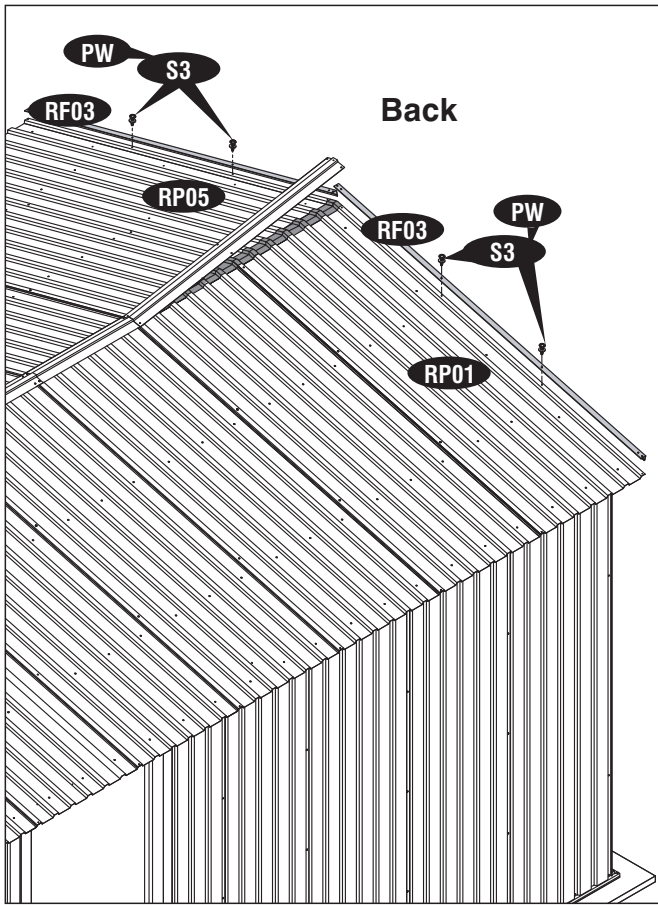


Step - 36

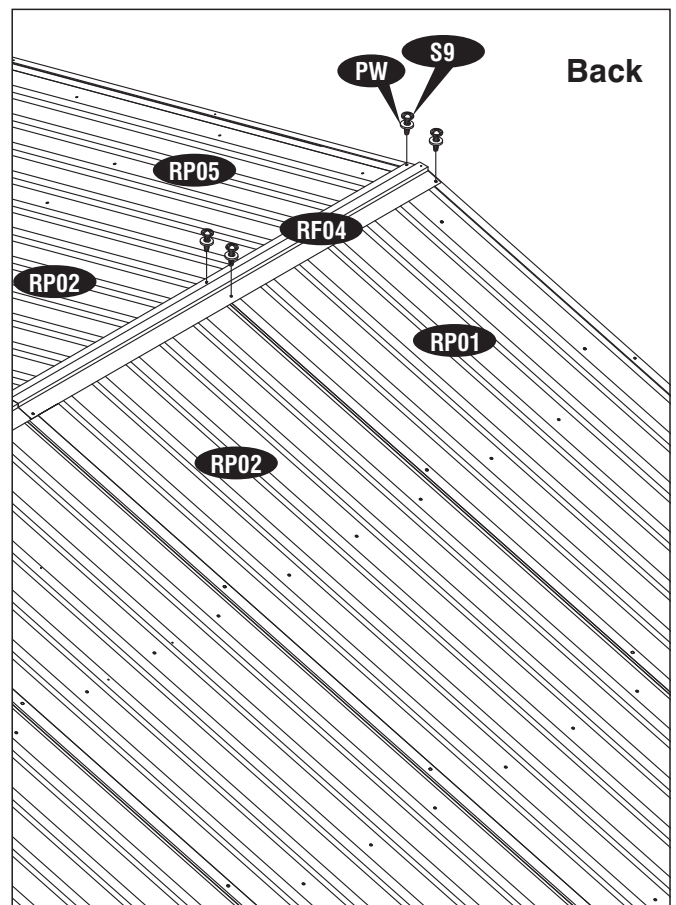


IMPORTANT: USE HAND GLOVES TO PREVENT INJURY.

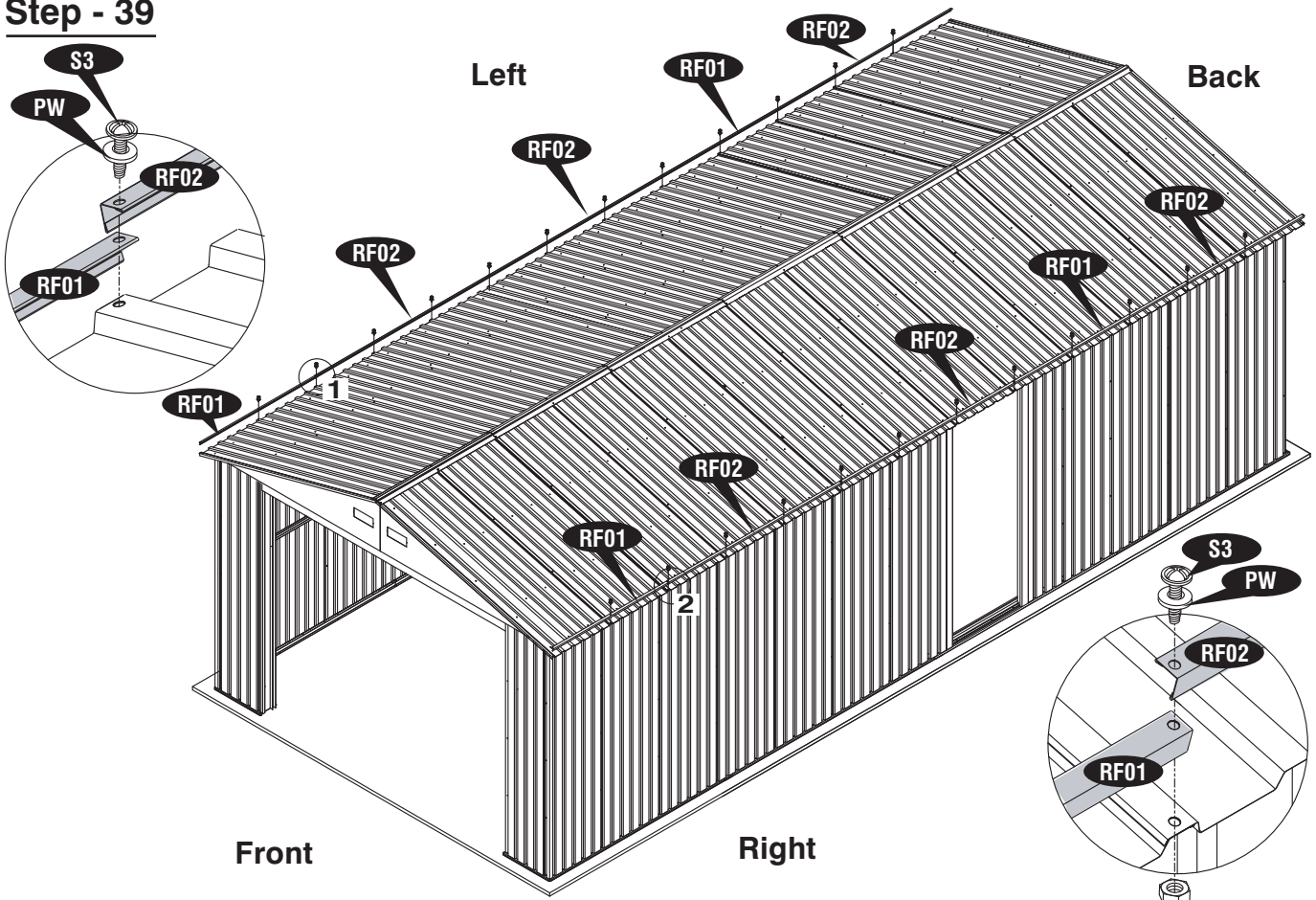
Step - 37



Step - 38



Step - 39



IMPORTANT: USE HAND GLOVES TO PREVENT INJURY.

Step - 40

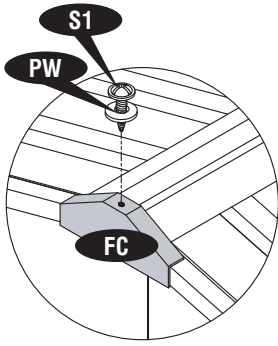


Fig.1

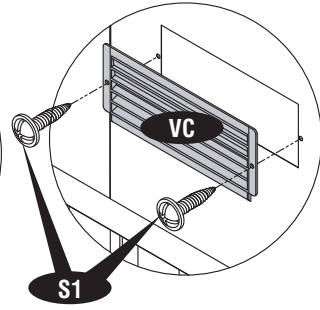


Fig.2

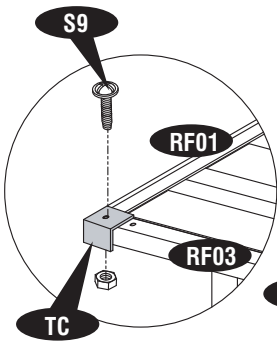


Fig.3

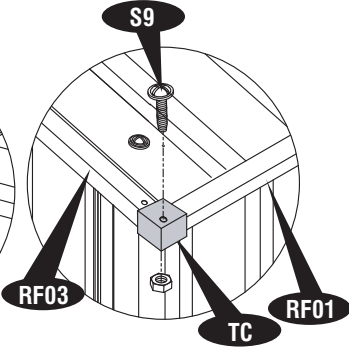
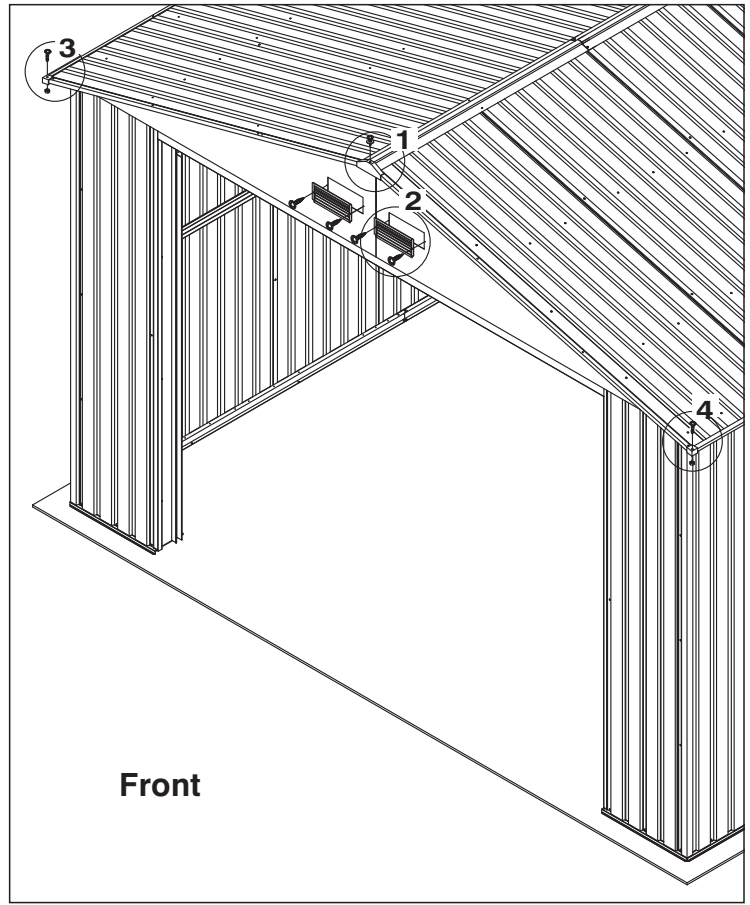


Fig.4



Step - 41

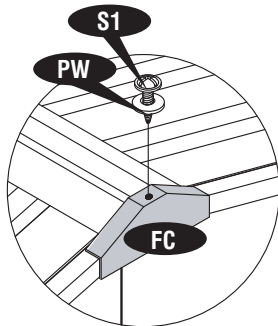


Fig.1

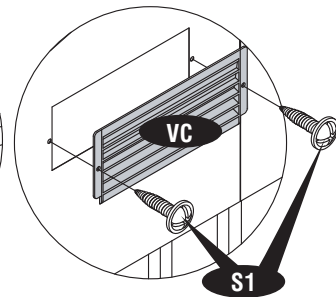


Fig.2

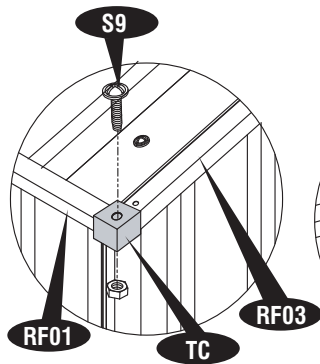


Fig.3

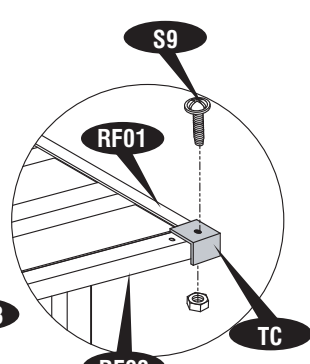
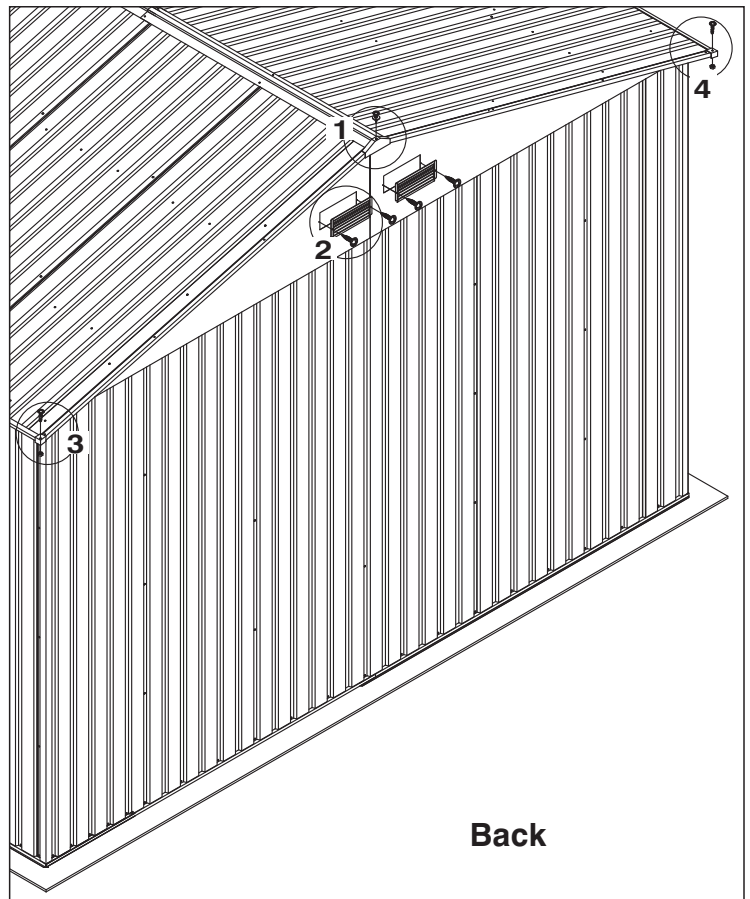
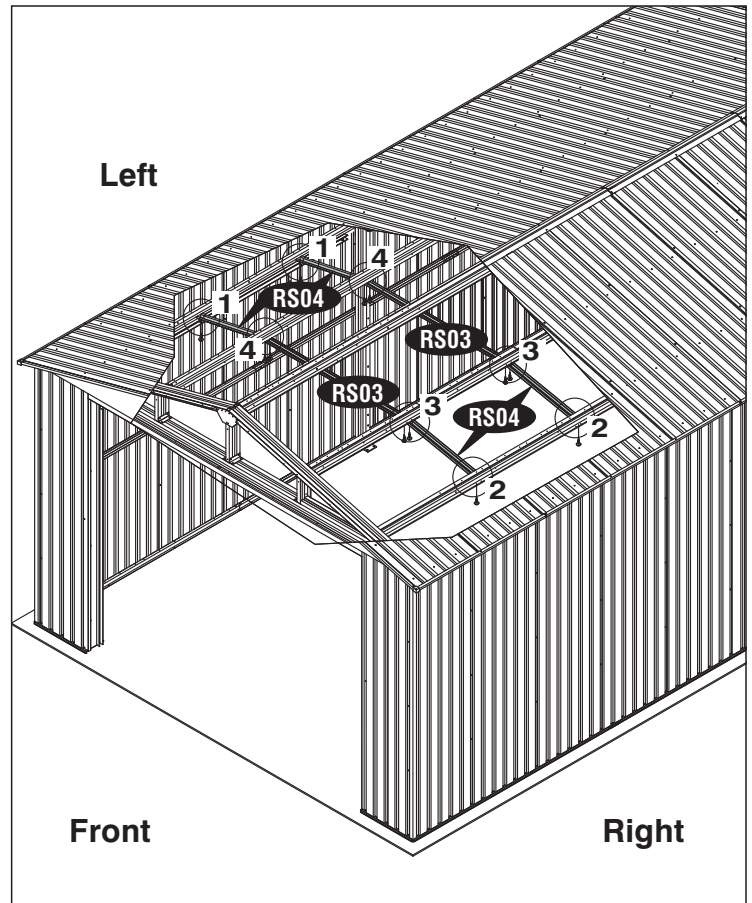
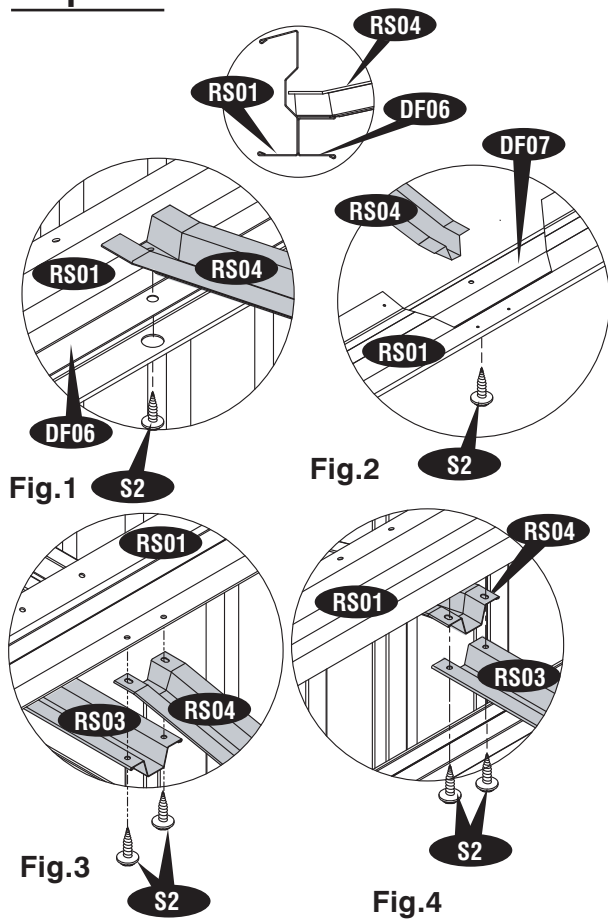


Fig.4

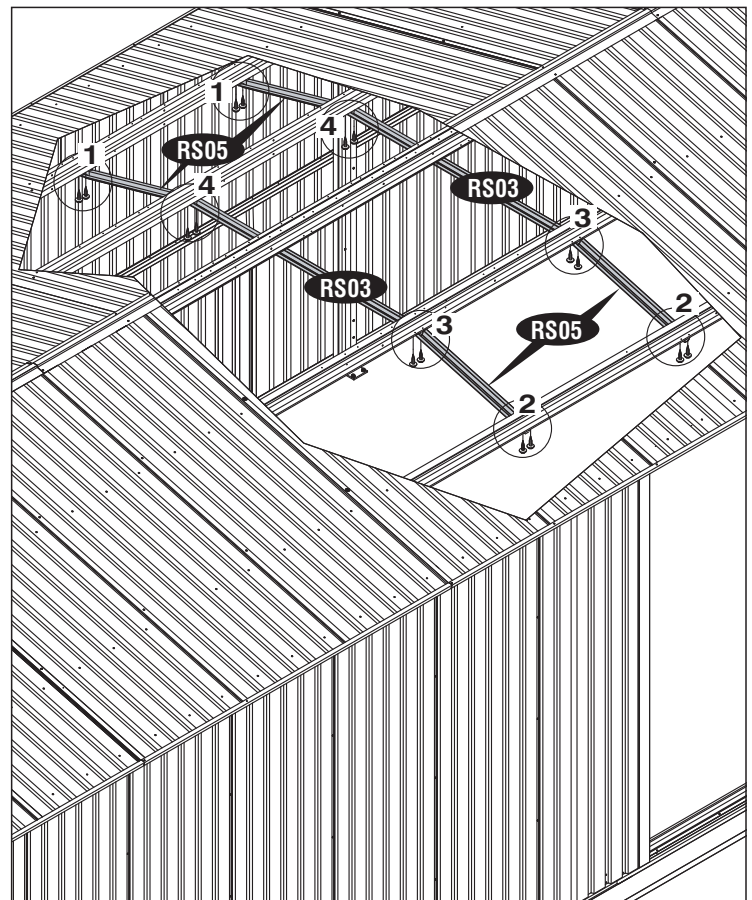
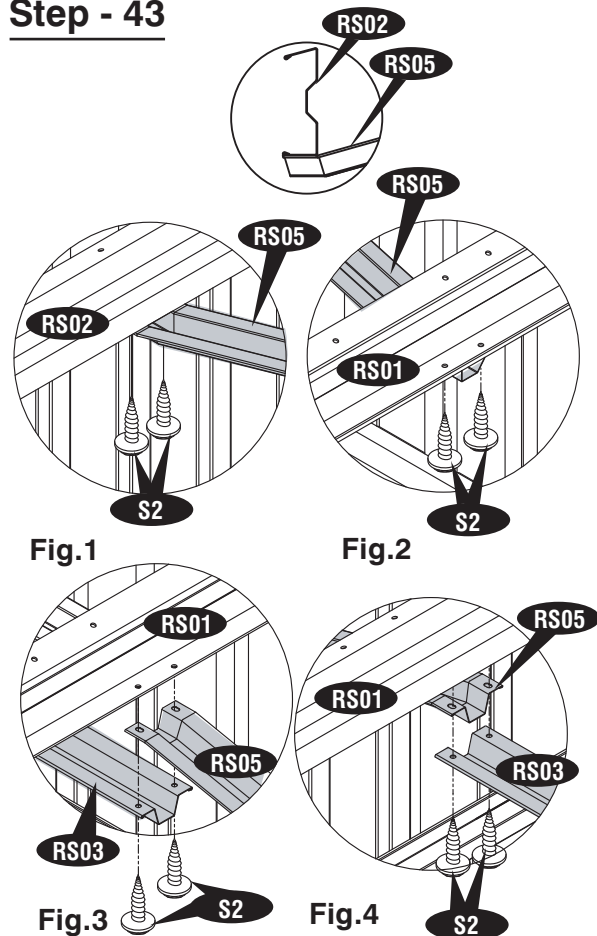


IMPORTANT: USE HAND GLOVES TO PREVENT INJURY.

Step - 42



Step - 43



Step - 44

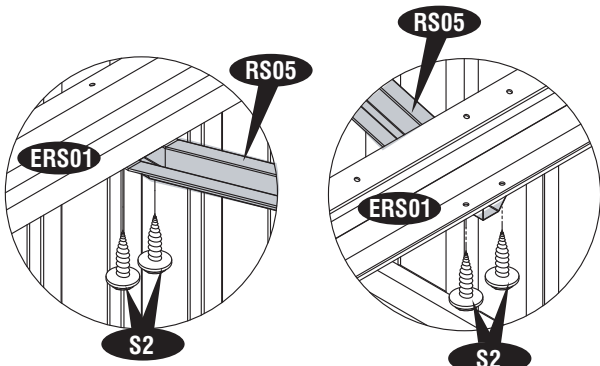


Fig.1

Fig.2

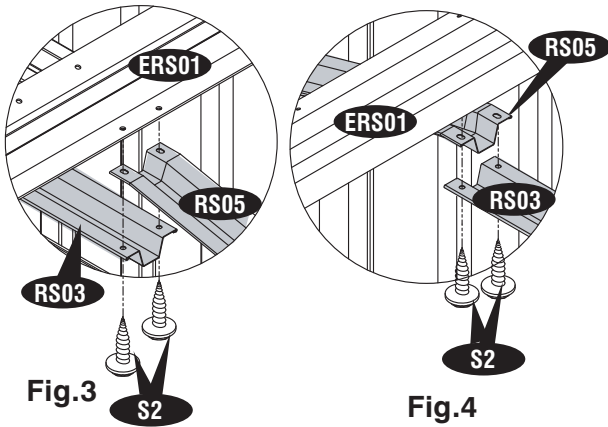
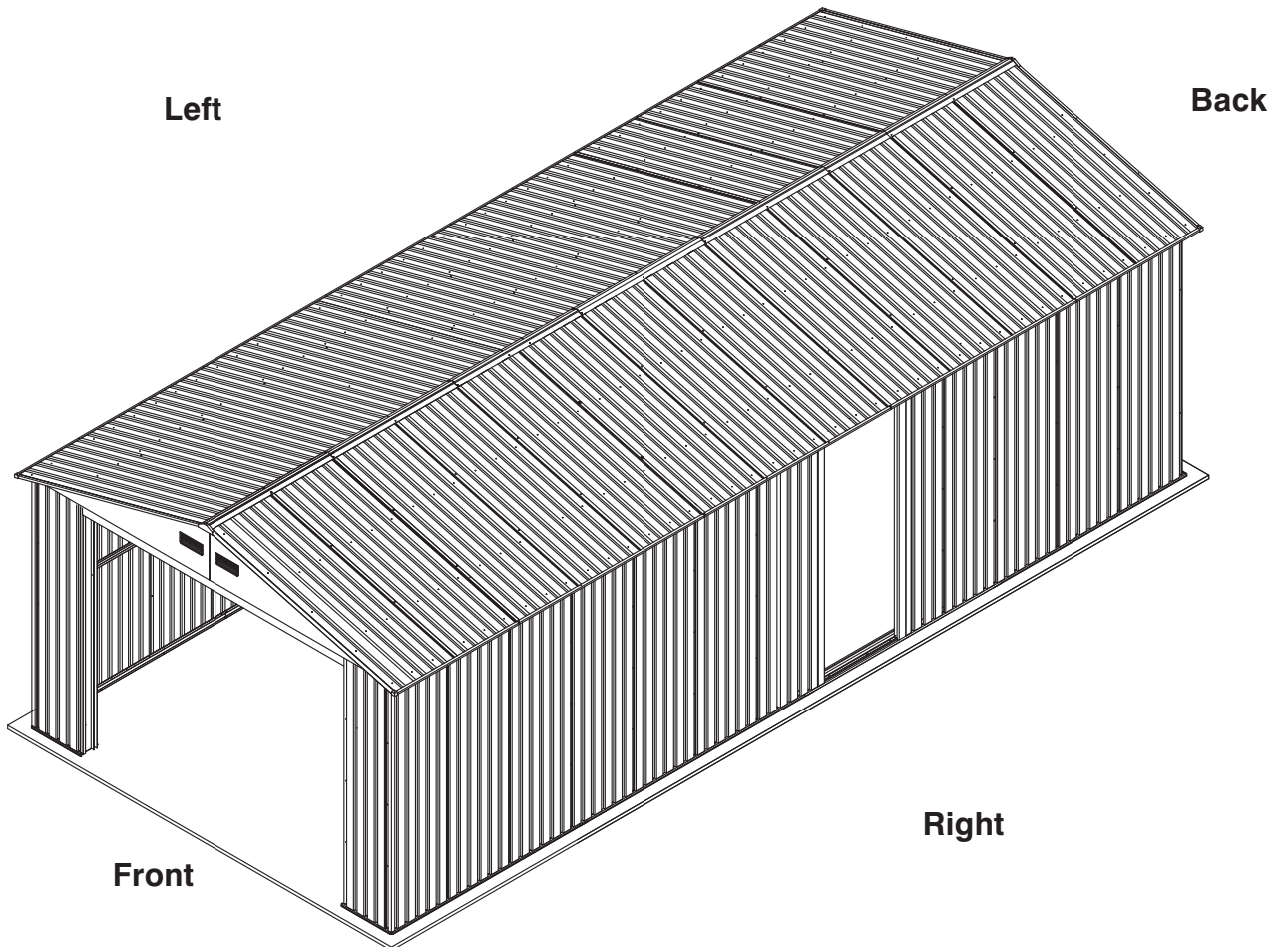
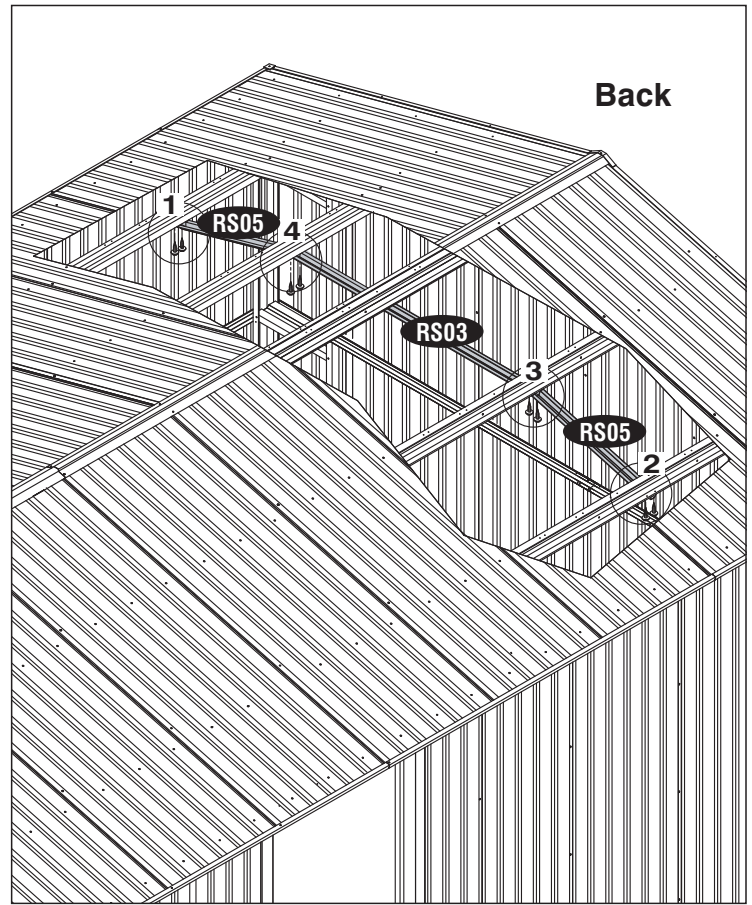


Fig.3

Fig.4



IMPORTANT: USE HAND GLOVES TO PREVENT INJURY.

G. Assembly and Installations of Front & Side Door

Parts Needed:

Code	Qty.	Code	Qty.
SP01	2	BS	3
SP02	1	TS	2
SP03	1	DH	3
DS01	1	FDH	2
DS02	1	CW	1
DS03	4	CU	2
DP01	1	STC	5.1mtr
SD06	3	S1	18
BS15	2	S2	4
BS16	2	S3	66
BS17	1	S9	6
WBA	10	PW	63
DF08	1	PC	8 Slabs
DF09	1	EDP1	(4.28mtr) 2
DF10	1	EDP2	(2.04 mtr) 2
		EDP3	(2.14 mtr) 2

Step - 1

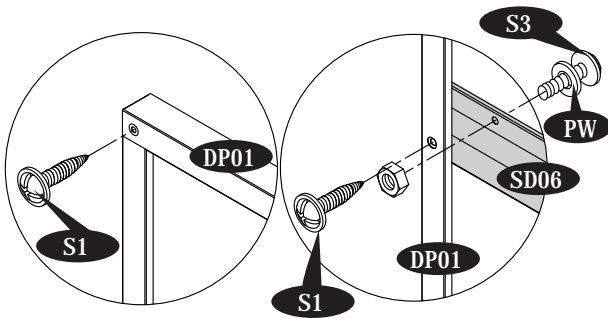
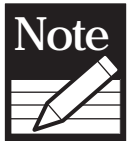


Fig.1

Fig.2

Step - 2



Use suitable holes on door to align.

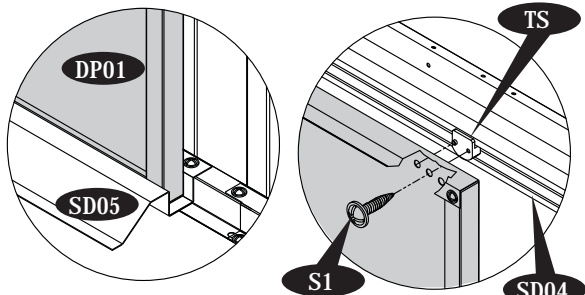


Fig.1

Fig.2

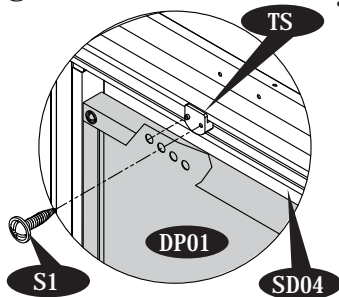
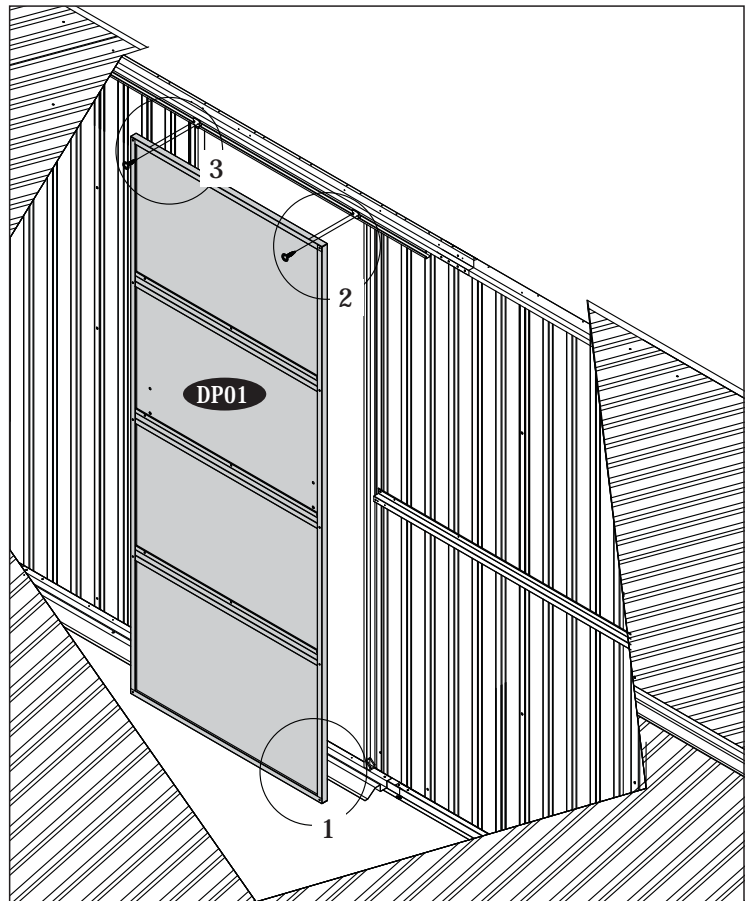
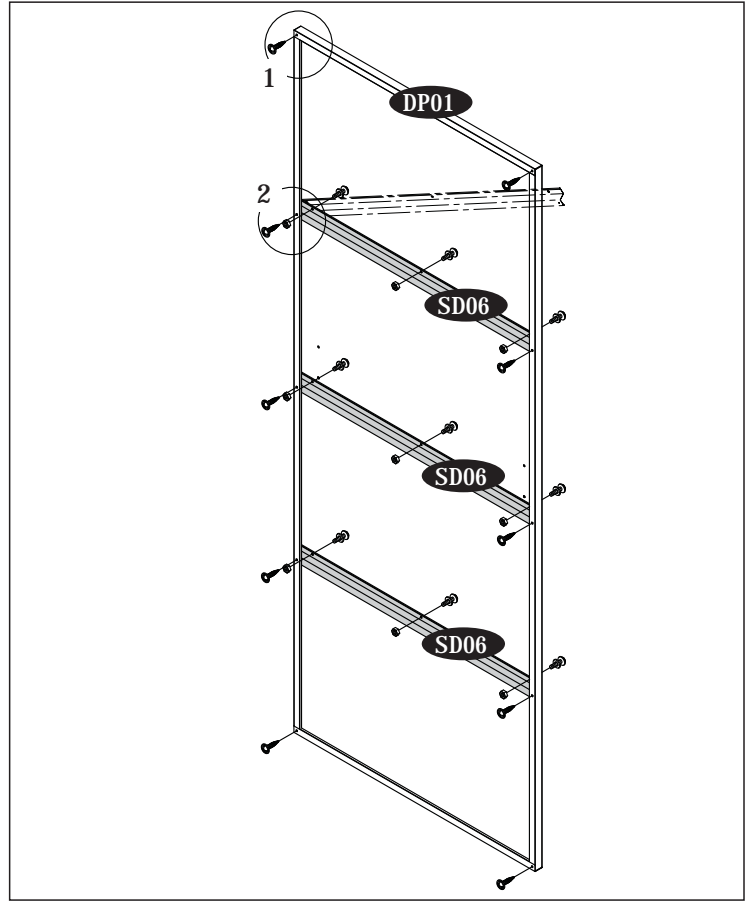


Fig.3



IMPORTANT: USE HAND GLOVES TO PREVENT INJURY.

Step - 3

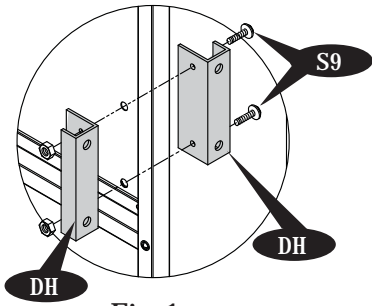


Fig.1

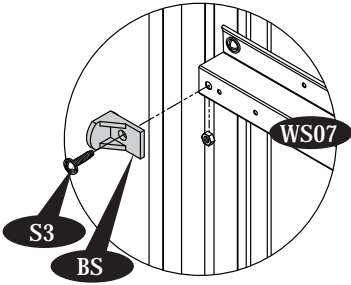
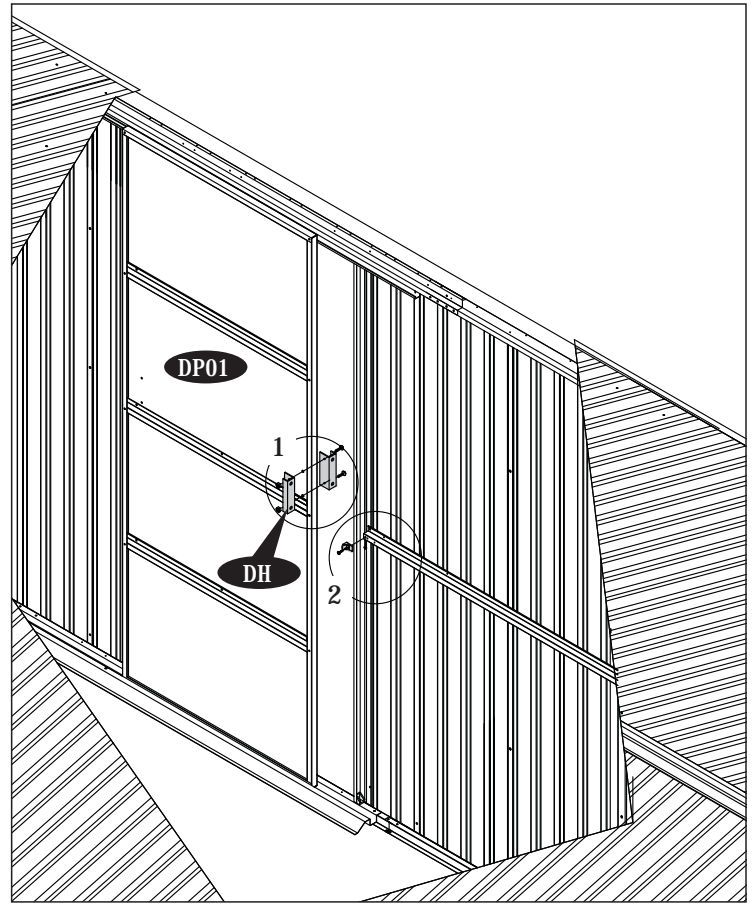


Fig.2



Step - 4

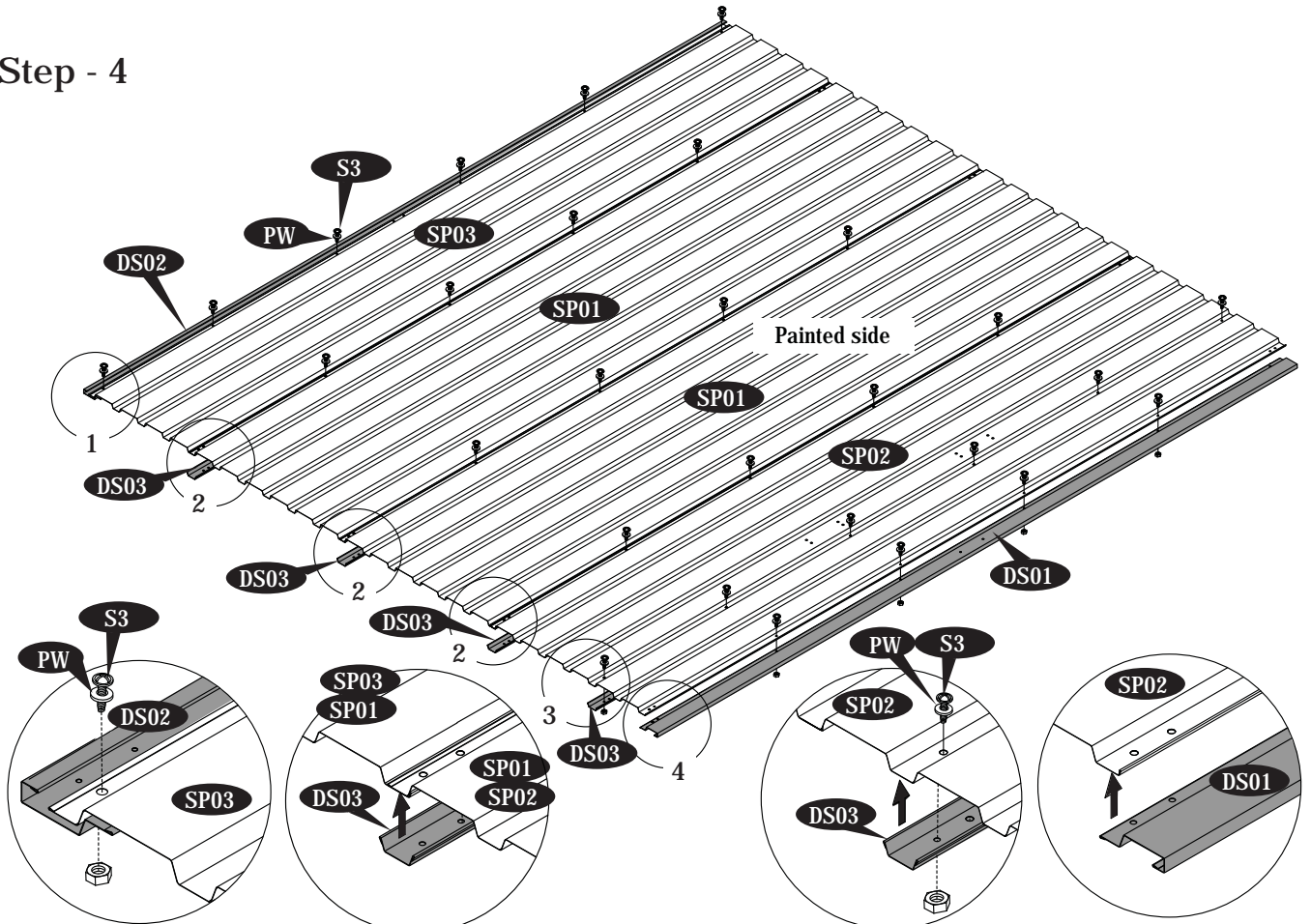


Fig.1

Fig.2

Fig.3

Fig.4

IMPORTANT: USE HAND GLOVES TO PREVENT INJURY.

Step - 5

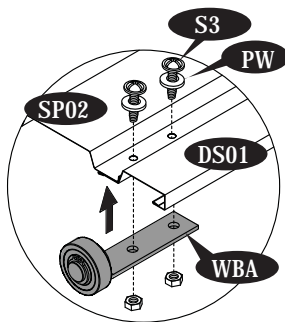
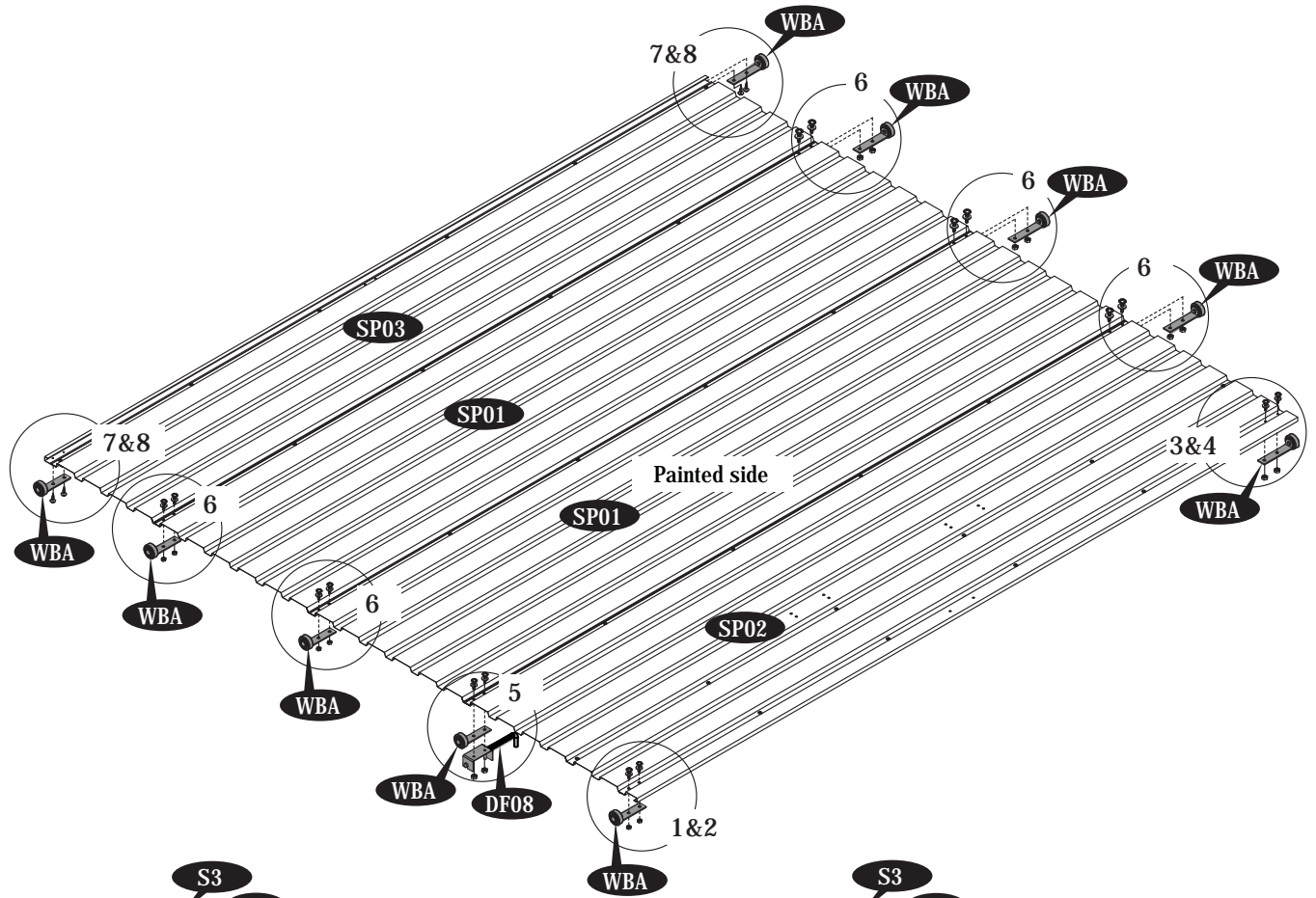


Fig.1

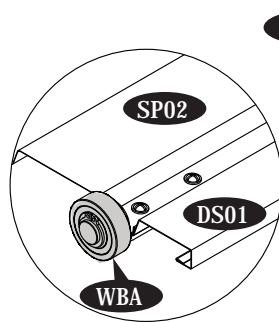


Fig.2

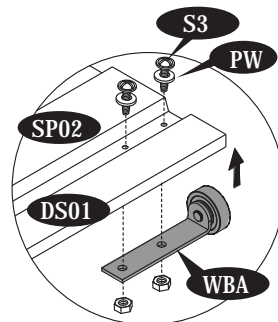


Fig.3

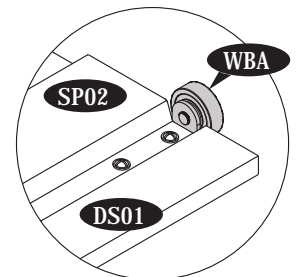


Fig.4

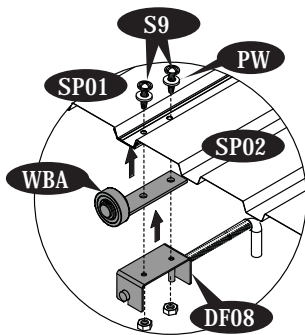


Fig.5

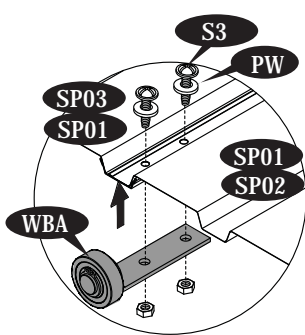


Fig.6

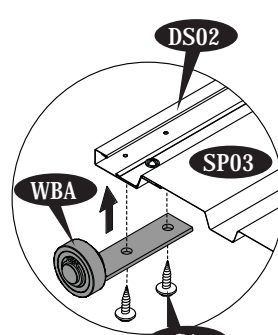


Fig.7

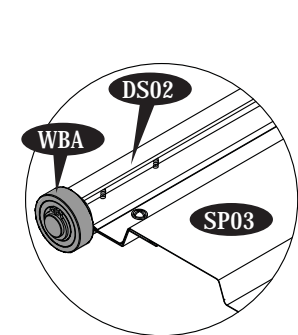
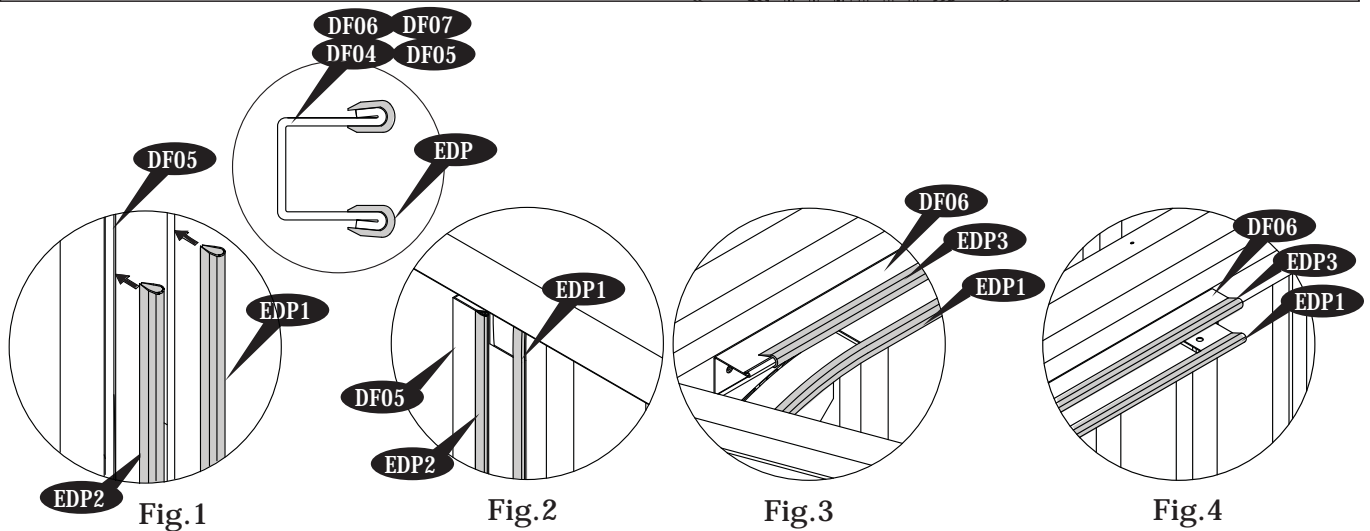
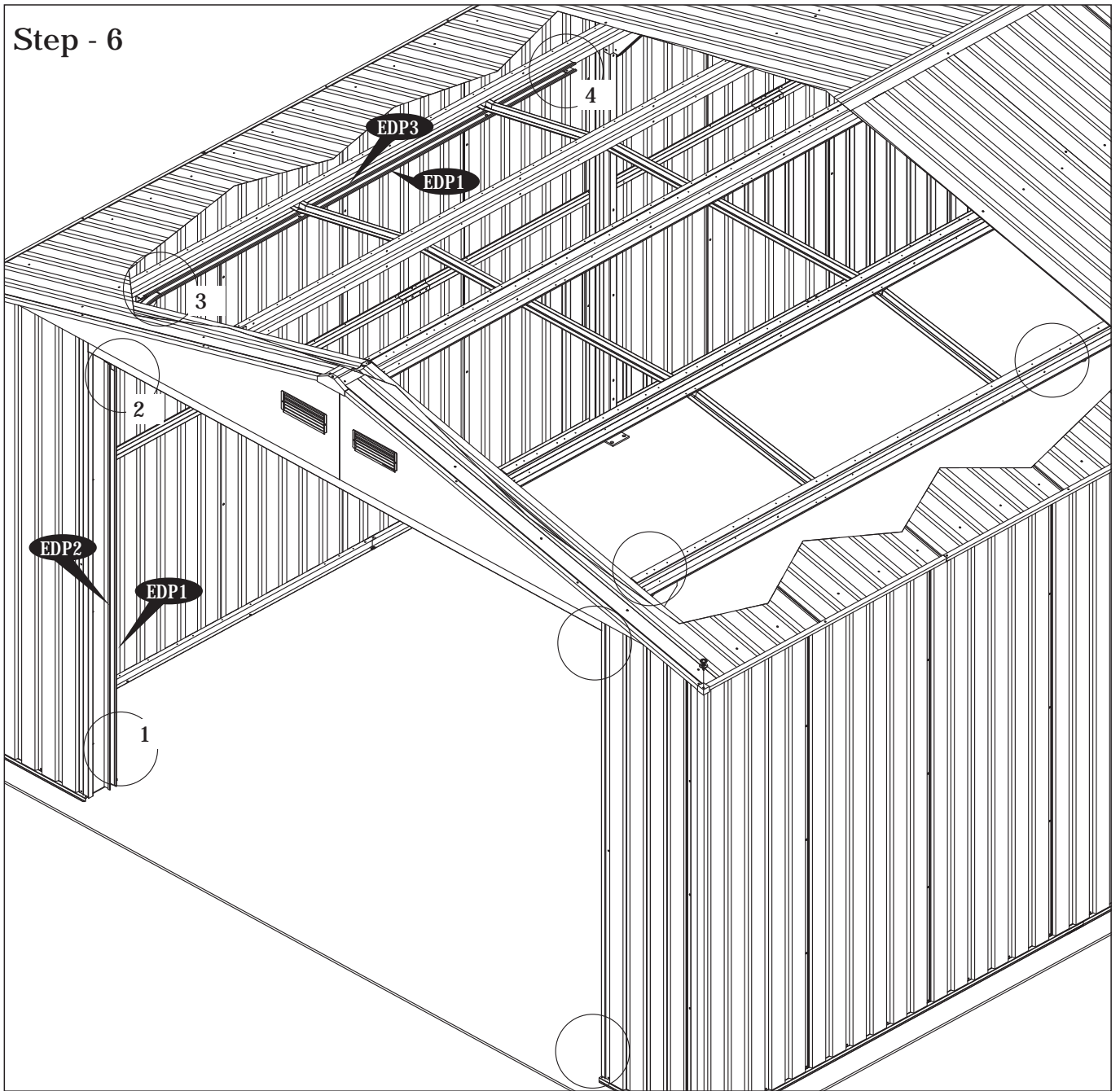


Fig.8

Step - 6



IMPORTANT: USE HAND GLOVES TO PREVENT INJURY.

Step - 7

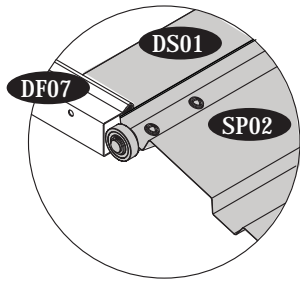


Fig.1

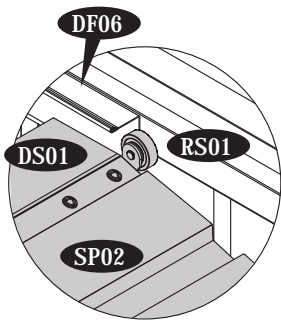
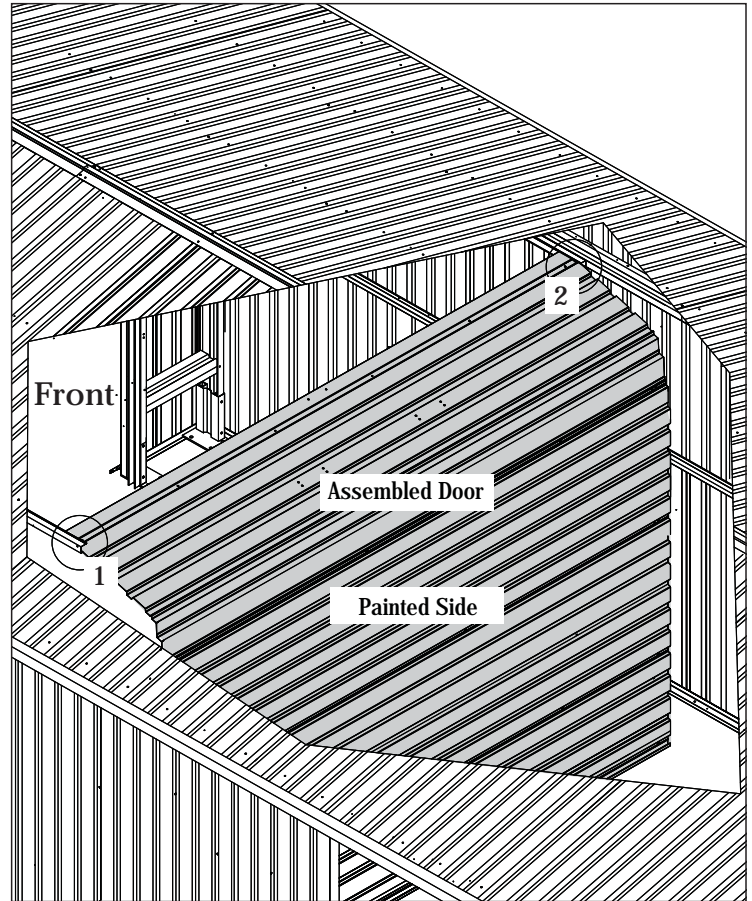


Fig.2



Step - 8

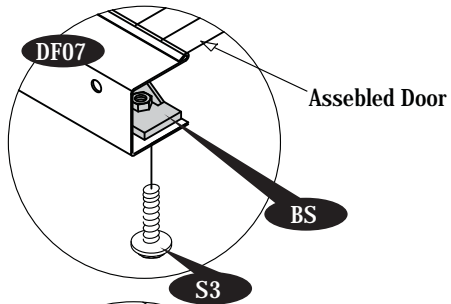


Fig.1

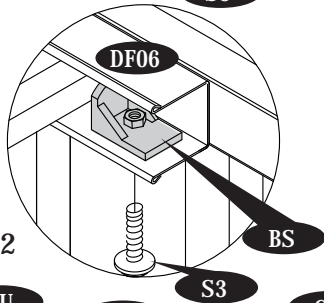


Fig.2

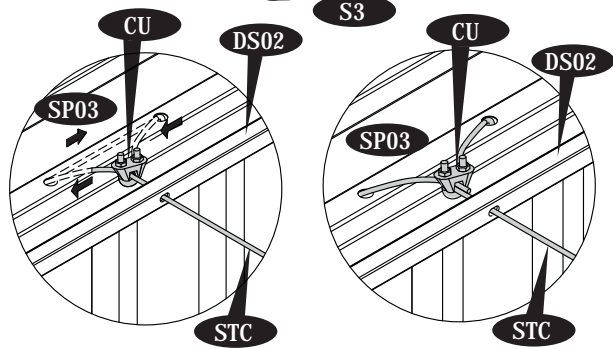
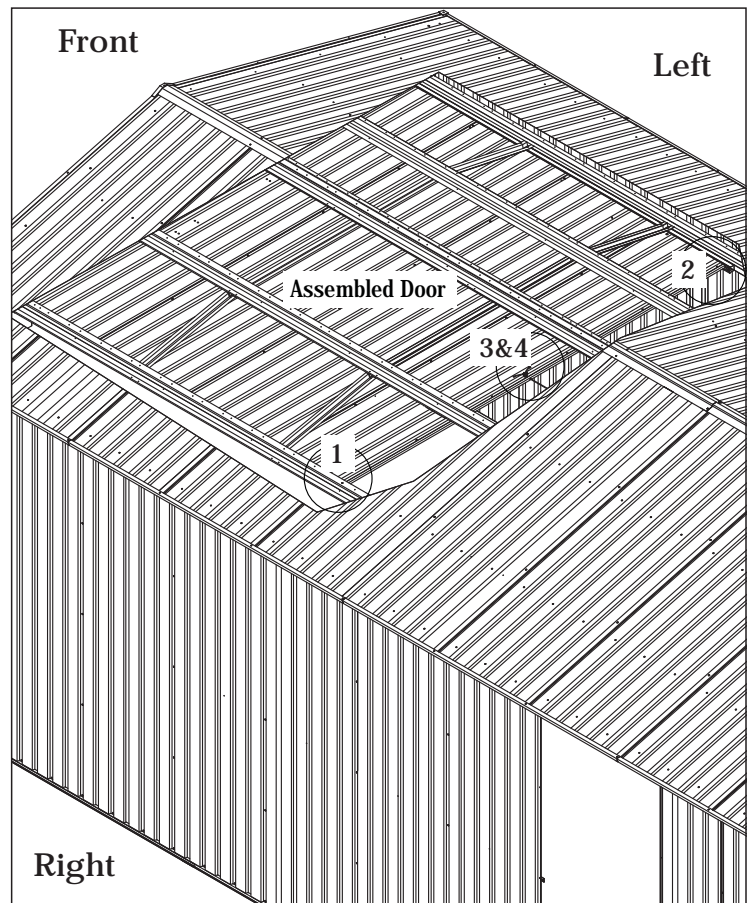


Fig.3

Fig.4



IMPORTANT: USE HAND GLOVES TO PREVENT INJURY.

Step -9

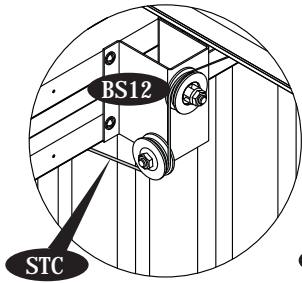


Fig.1

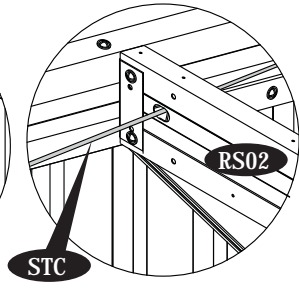


Fig.2

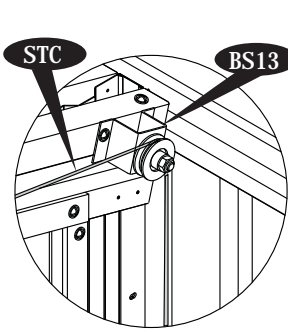


Fig.3

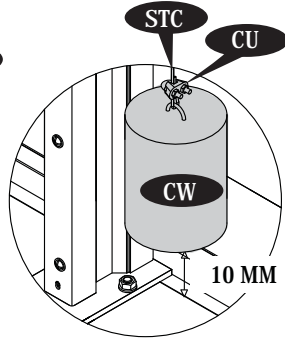
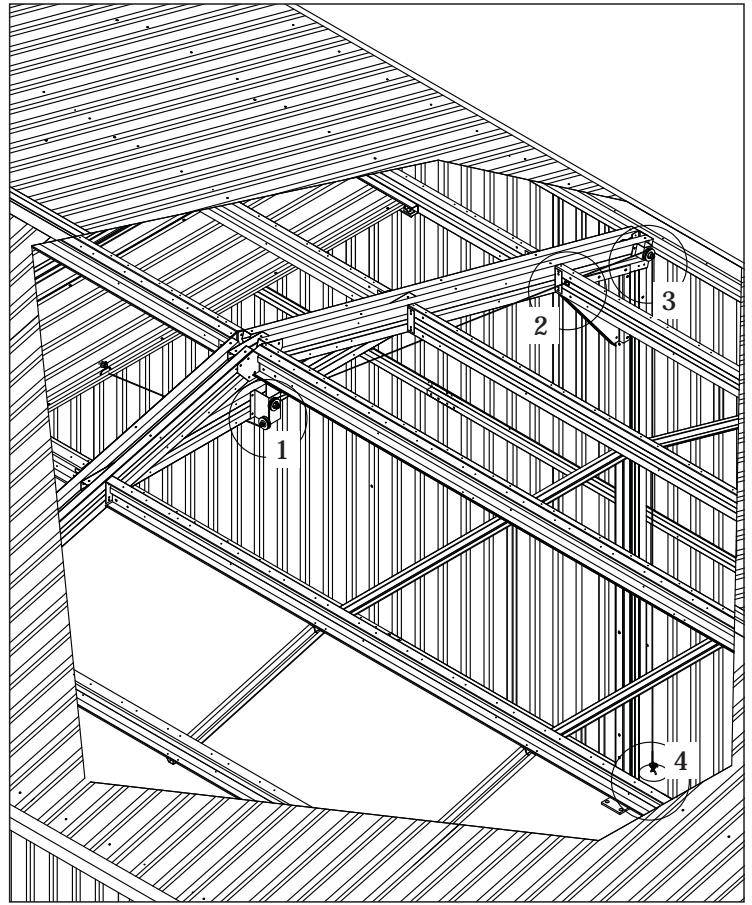


Fig.4



Step - 10

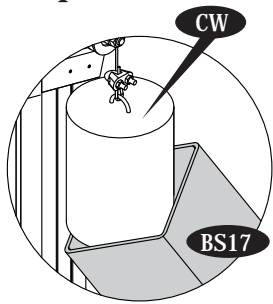


Fig.1

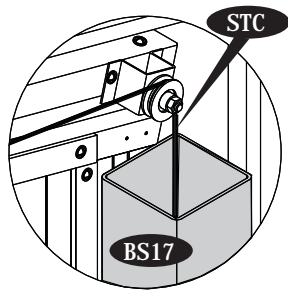


Fig.2

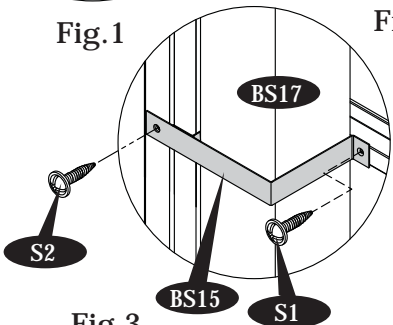


Fig.3

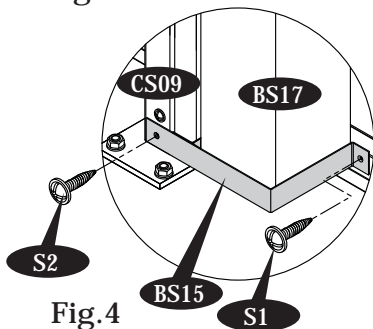
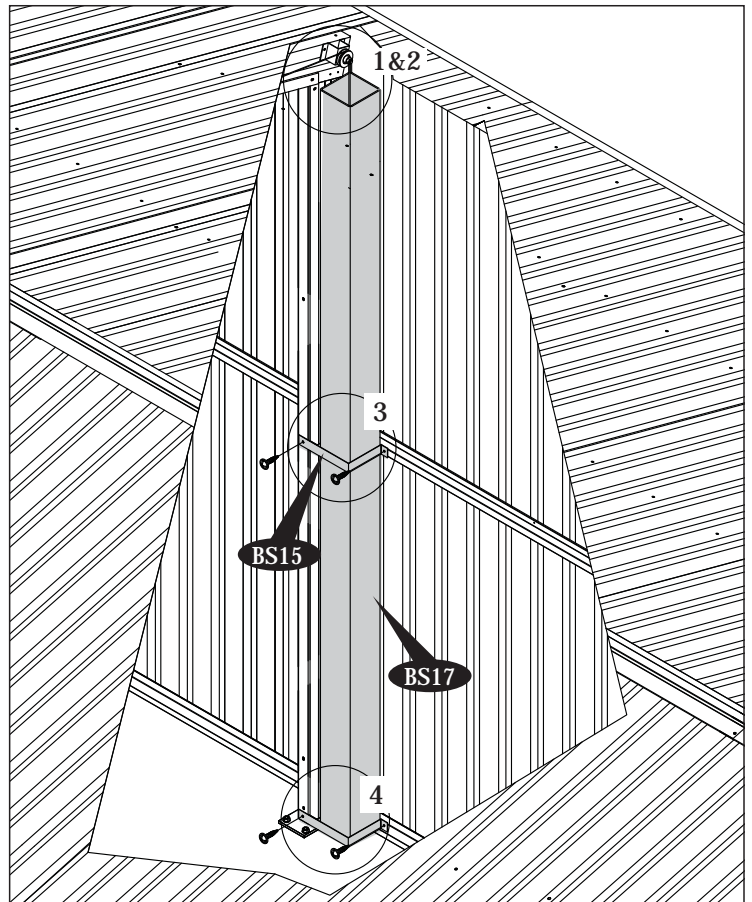


Fig.4



Step - 11

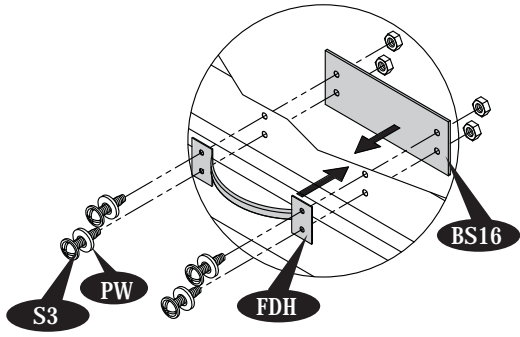


Fig.1

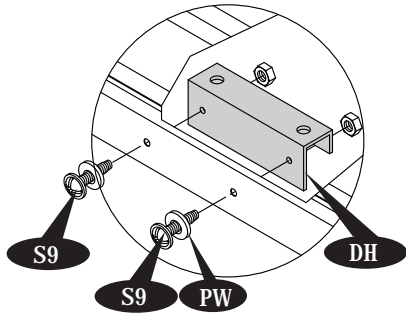
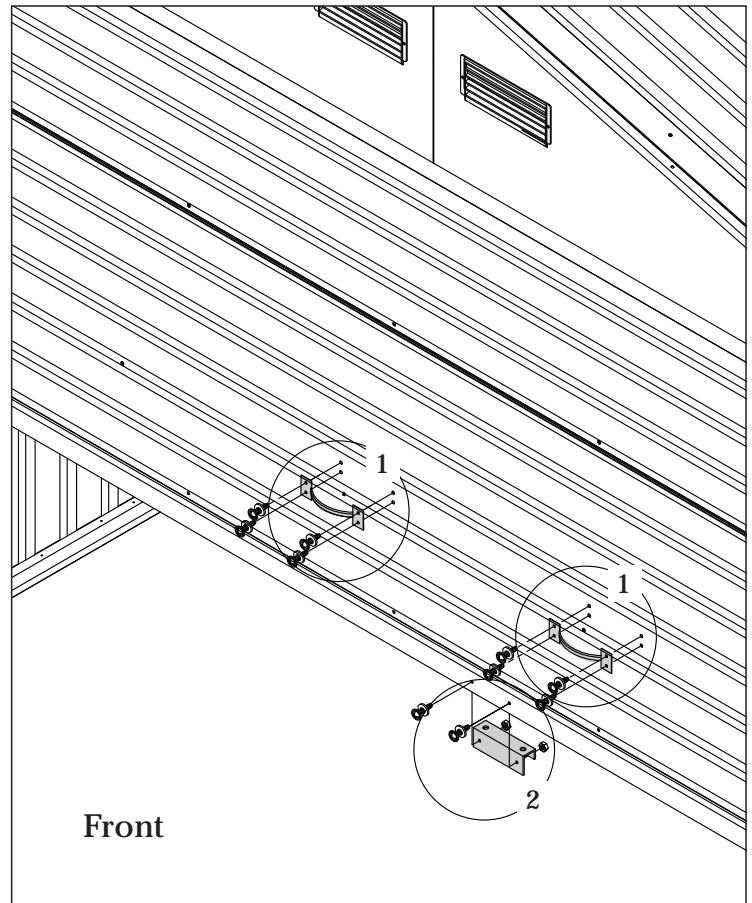


Fig.2



Step - 12

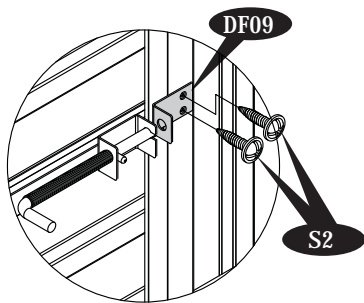
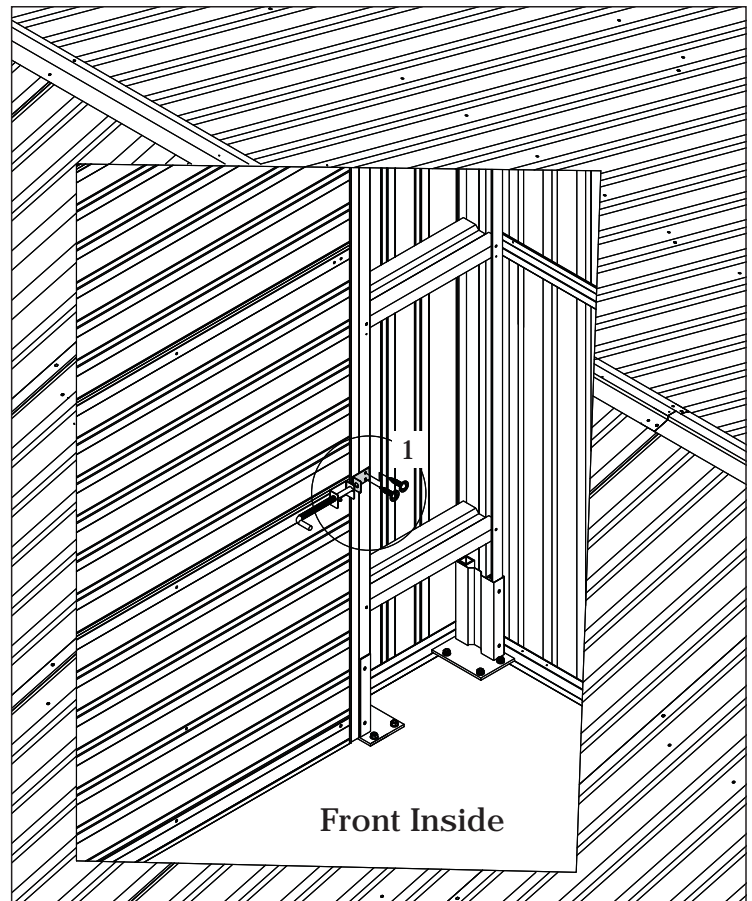


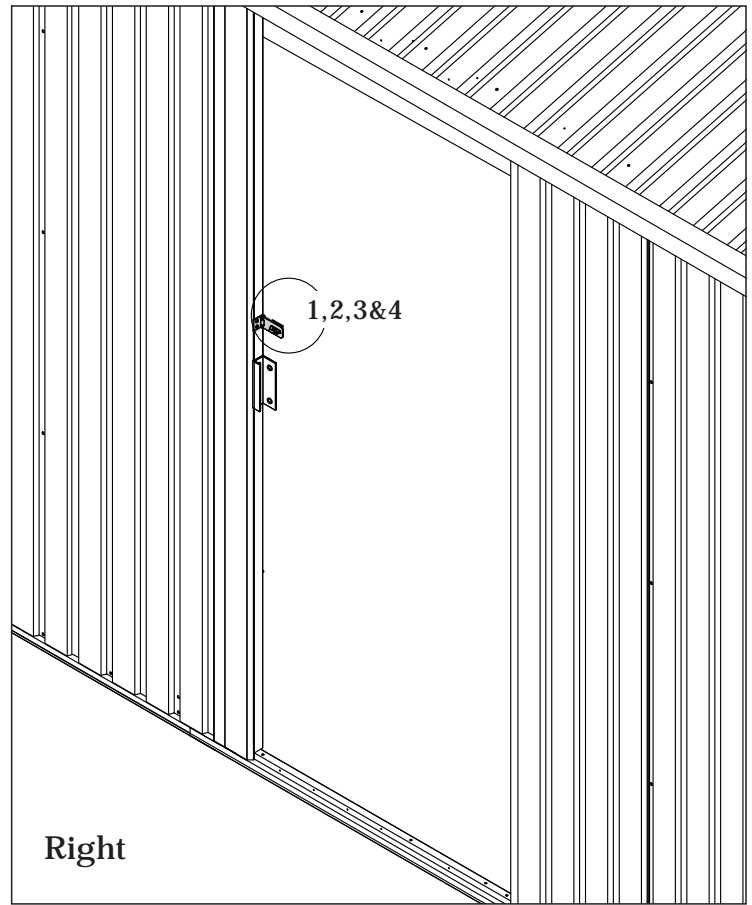
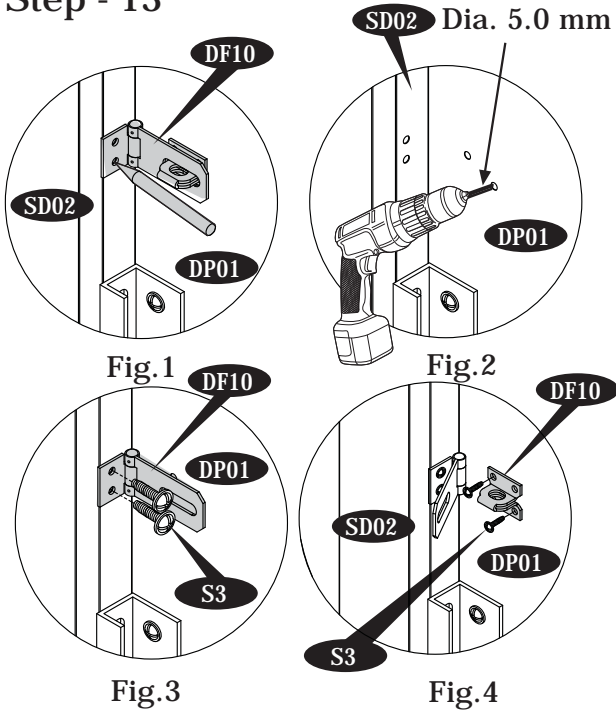
Fig.1



IMPORTANT : “During closing Garage Door in the front , please keep holding Door Handles till it came down to close”.

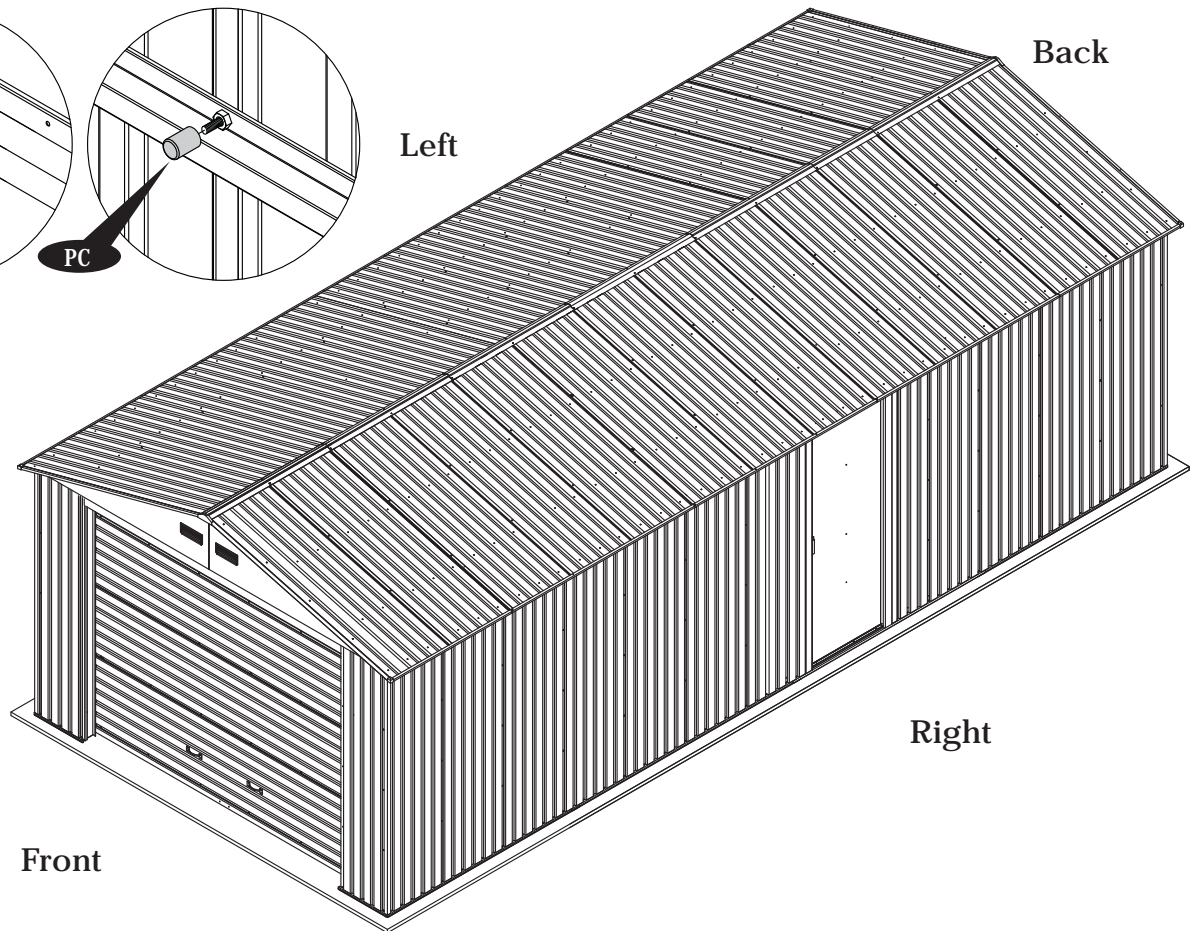
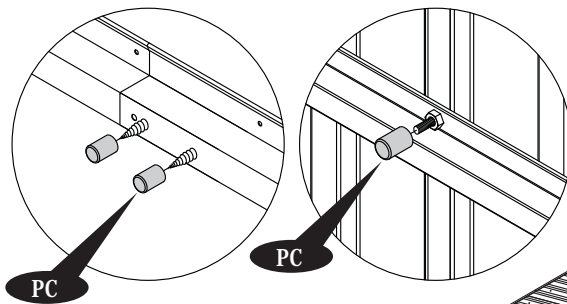
IMPORTANT: USE HAND GLOVES TO PREVENT INJURY.

Step - 13

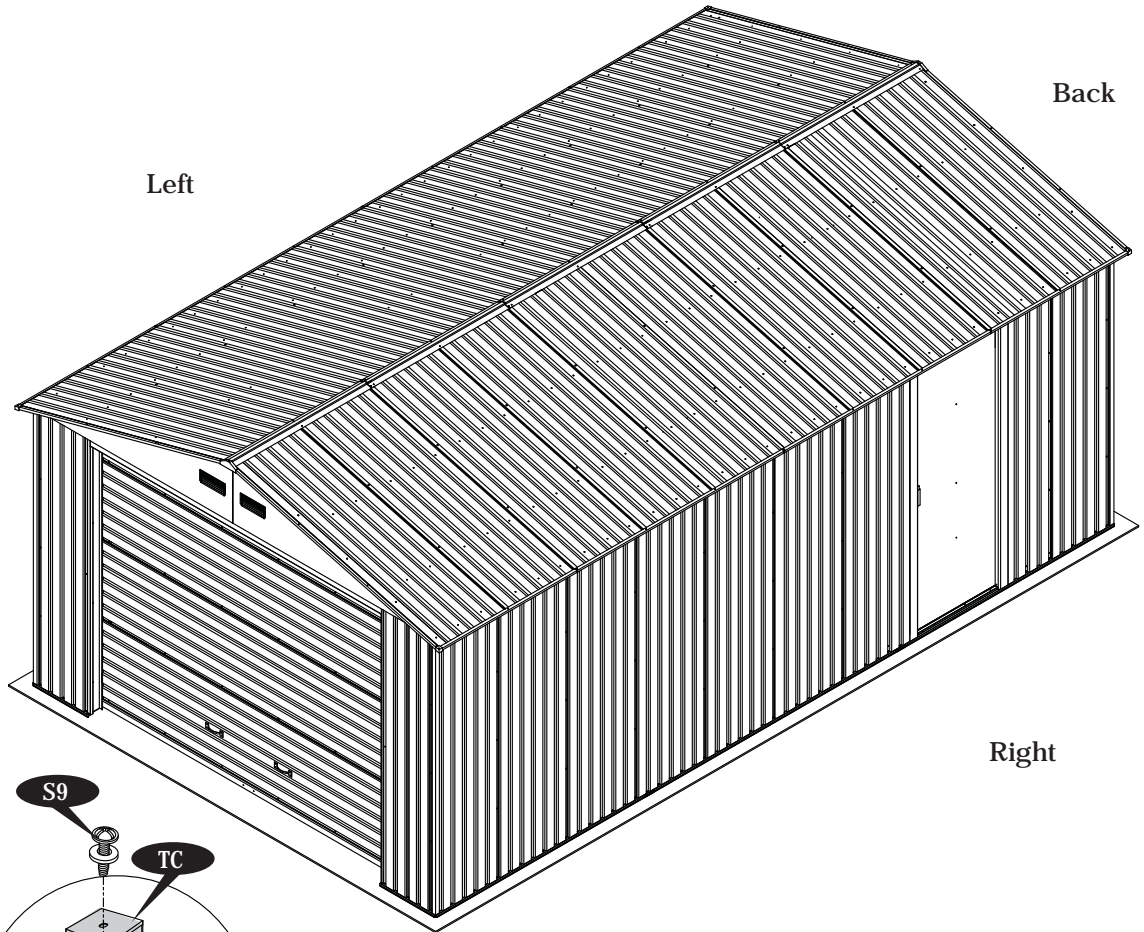


IMPORTANT
Step - 14

Fix the plastic screw cover (PC) to the screws and bolts edge from inside to prevent injury.



PART 2 : Adding Extension Kit to Existing Shed



Front
Step - 1

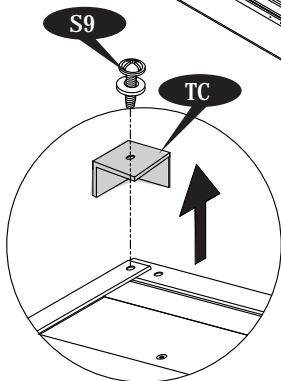


Fig. 1

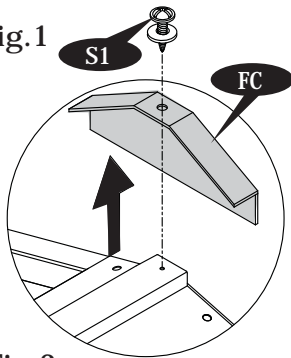


Fig. 2

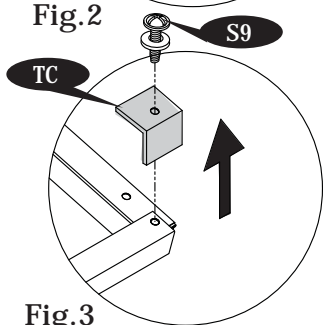
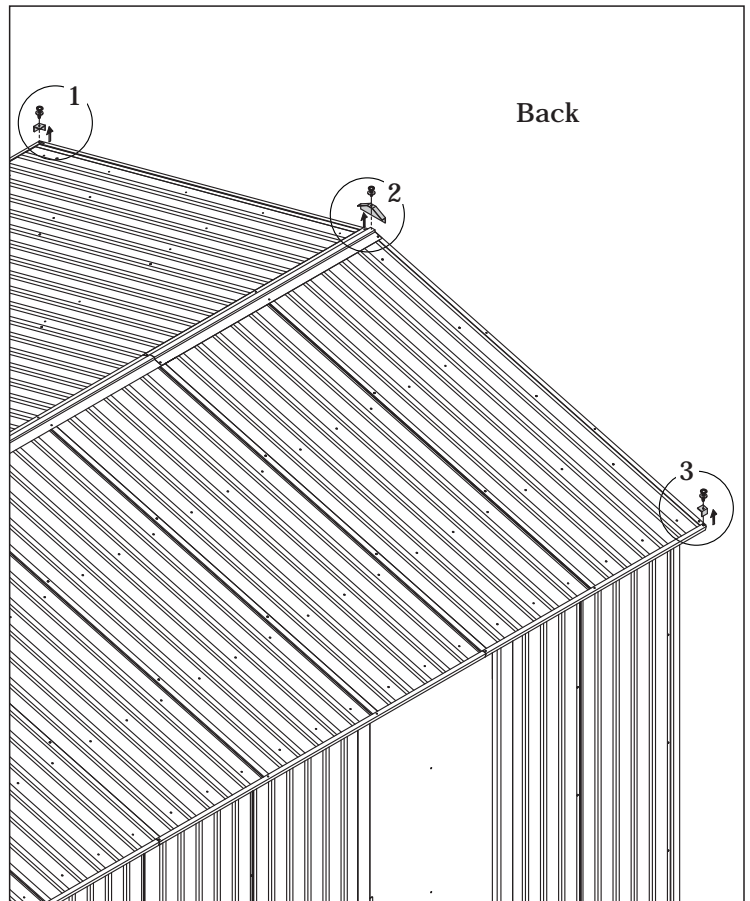


Fig. 3



IMPORTANT: USE HAND GLOVES TO PREVENT INJURY.

Step - 2

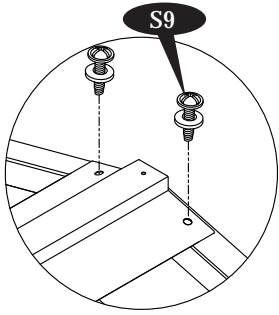


Fig.1

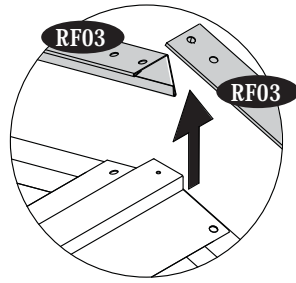


Fig.2

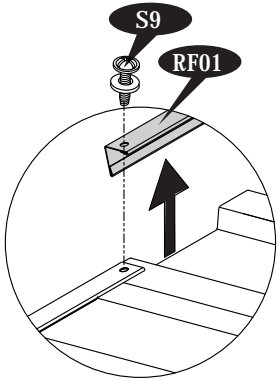


Fig.3

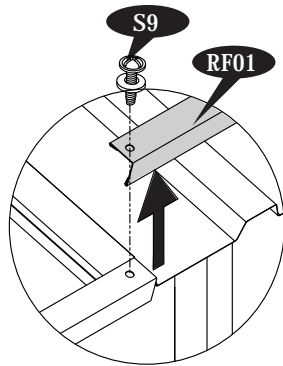
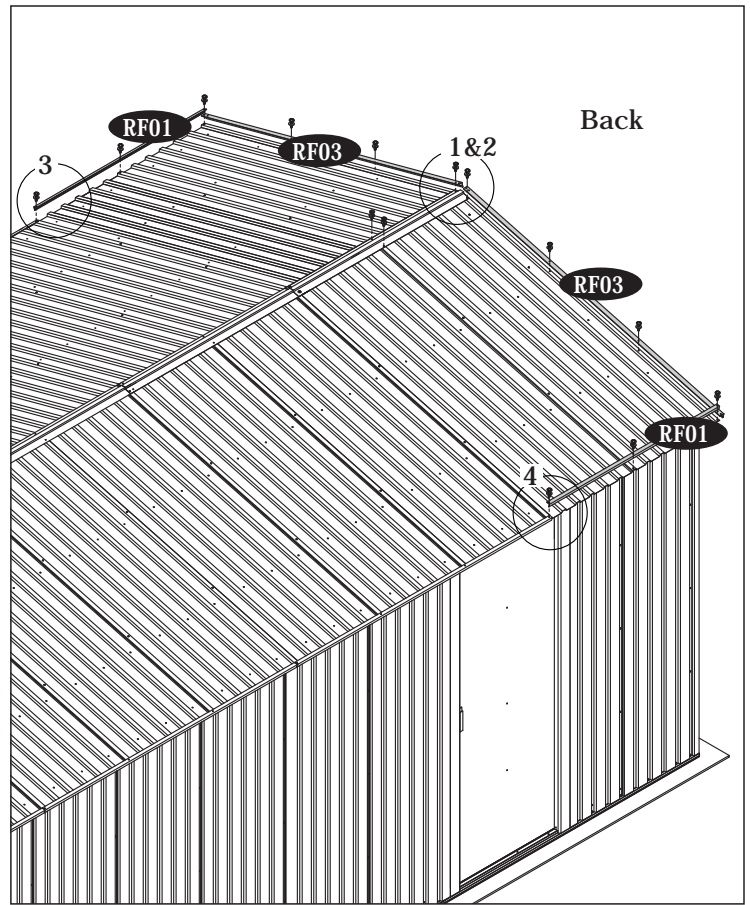
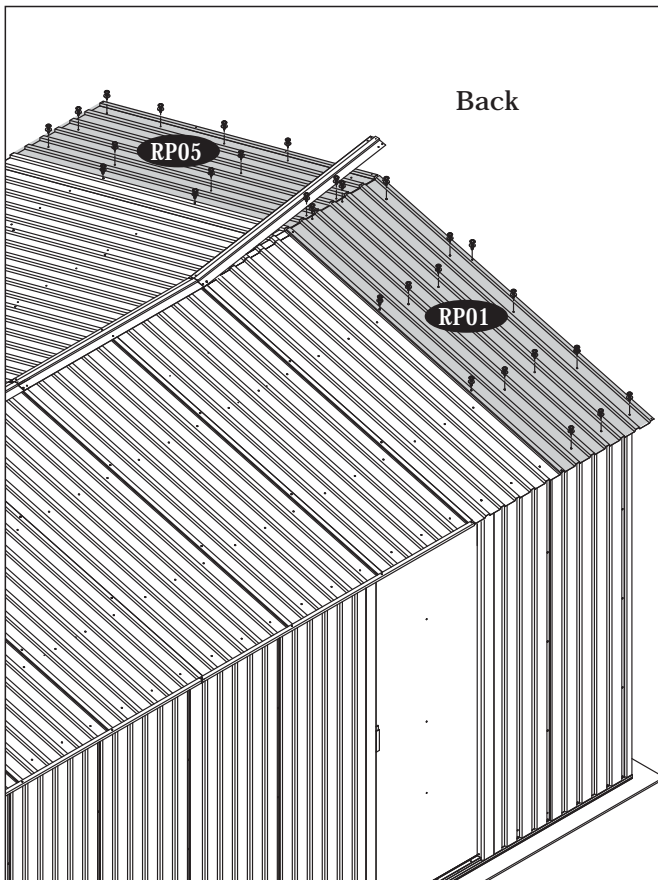


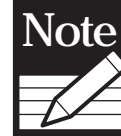
Fig.4



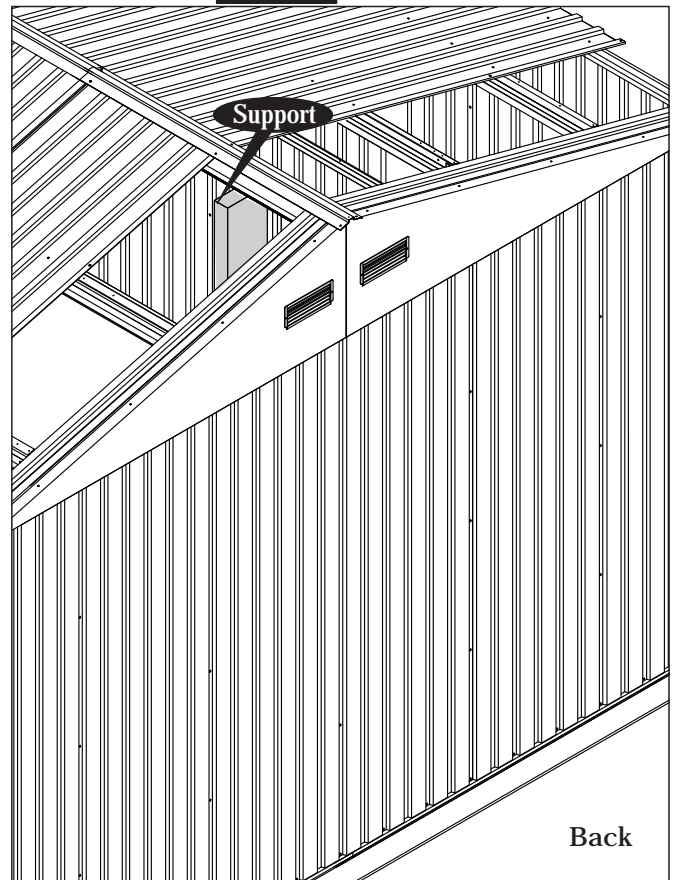
Step - 3



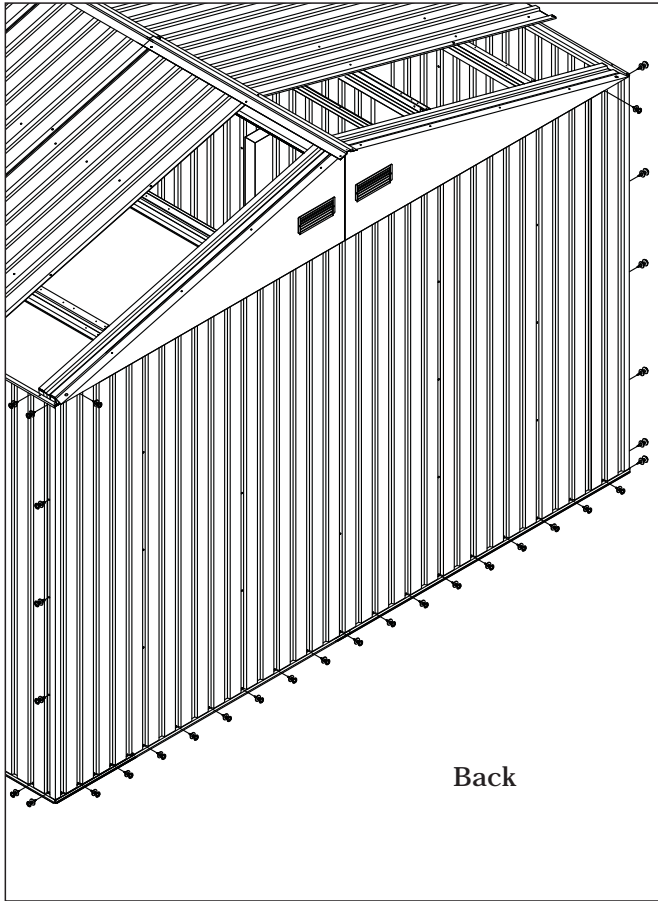
Step - 4



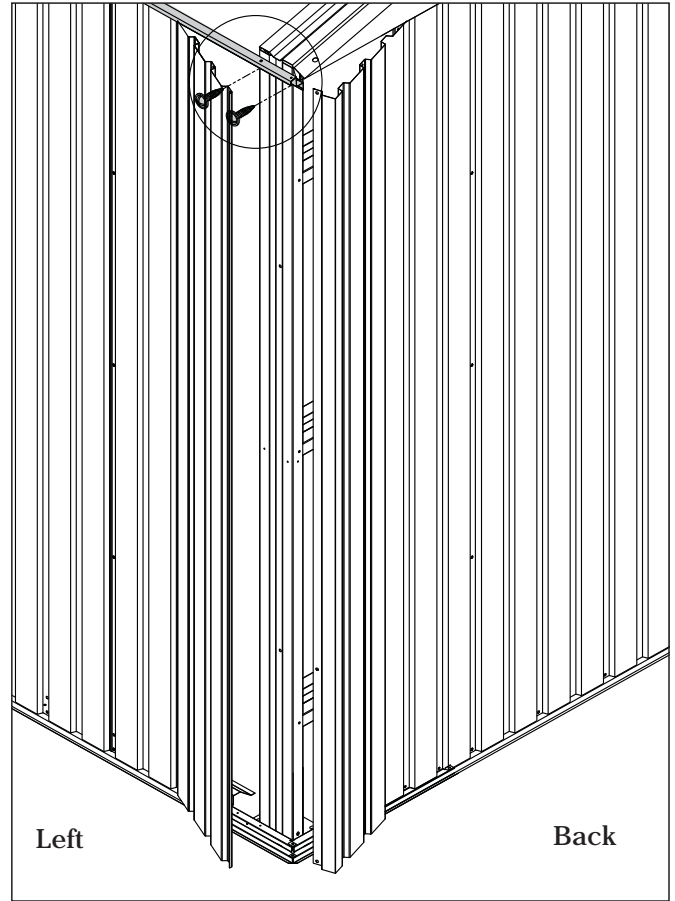
Note Support not included.



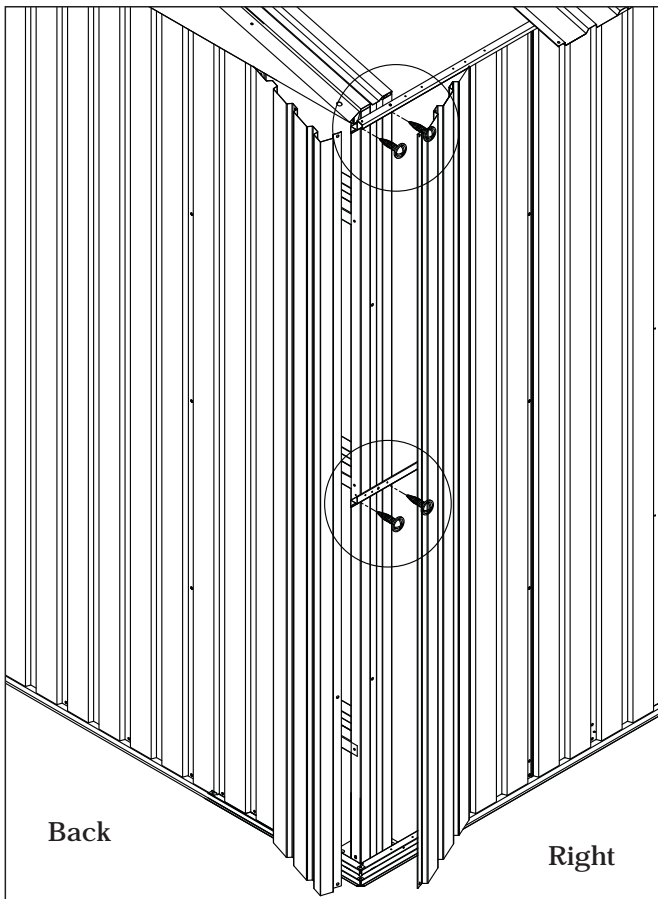
Step - 5



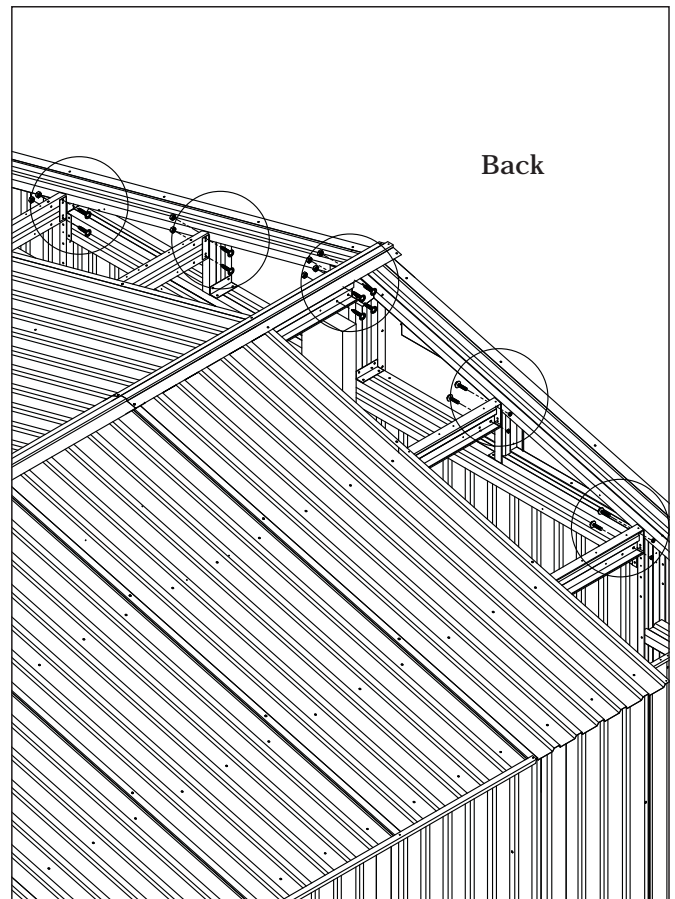
Step - 6



Step - 7



Step - 8



IMPORTANT: USE HAND GLOVES TO PREVENT INJURY.

Step - 9

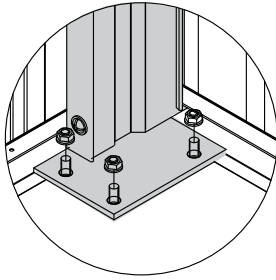


Fig.1

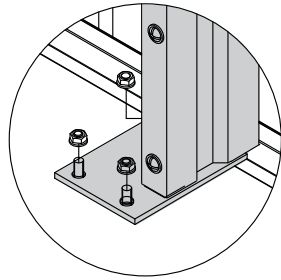


Fig.2

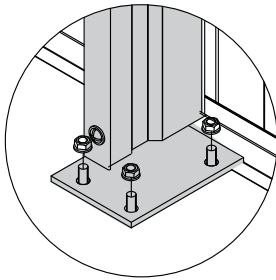


Fig.3

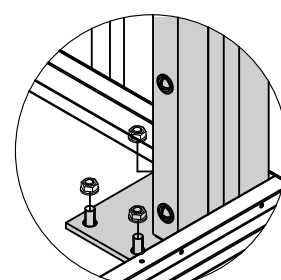
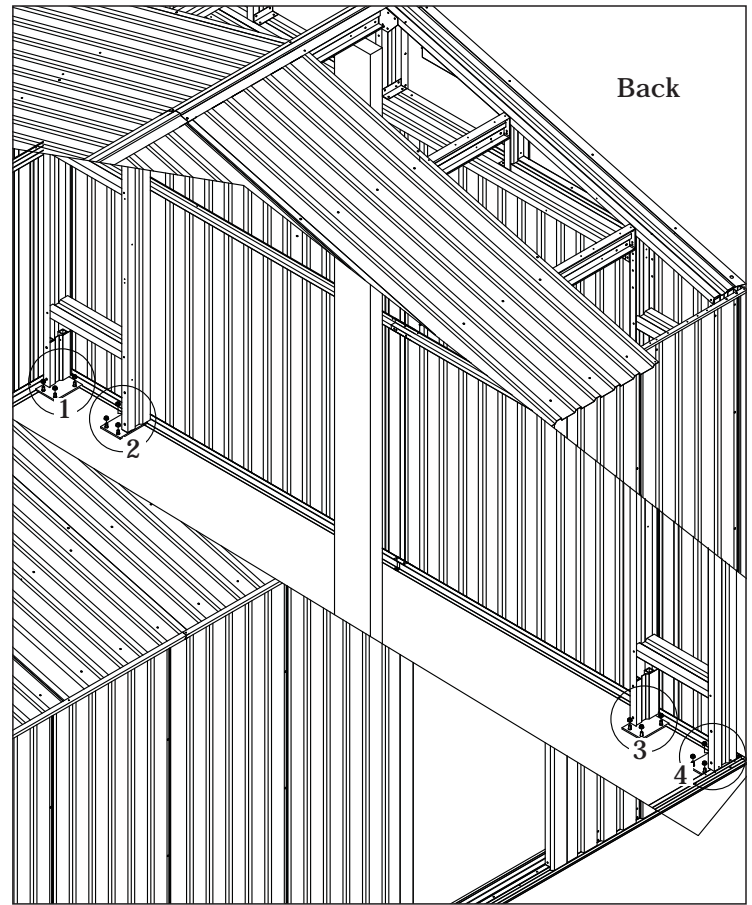
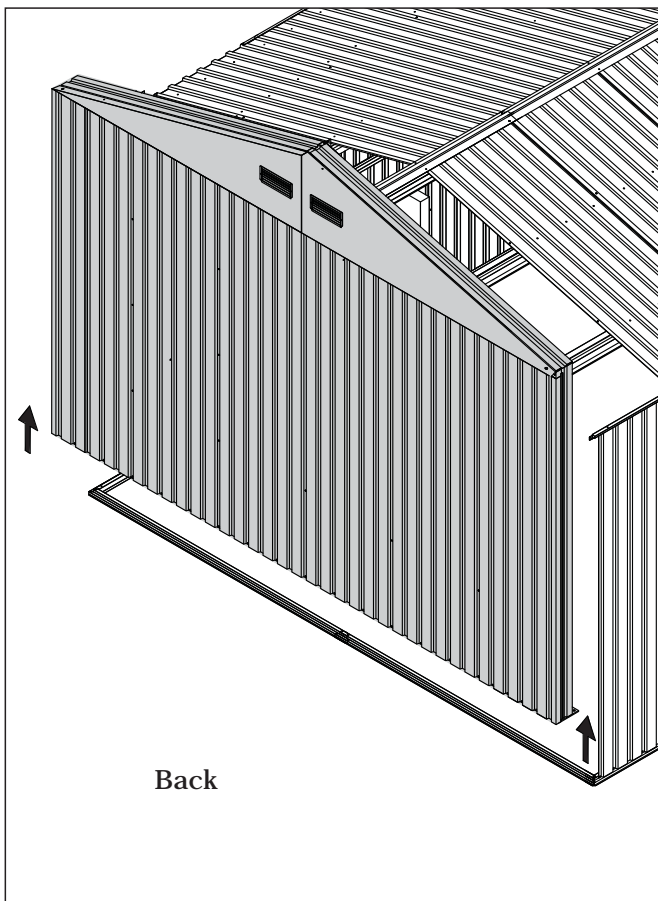


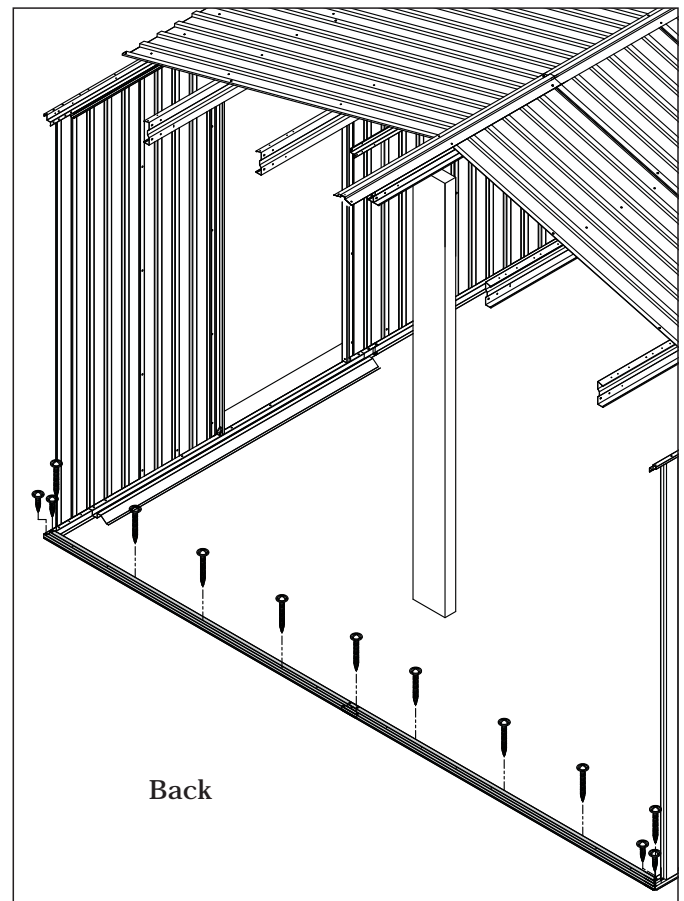
Fig.4

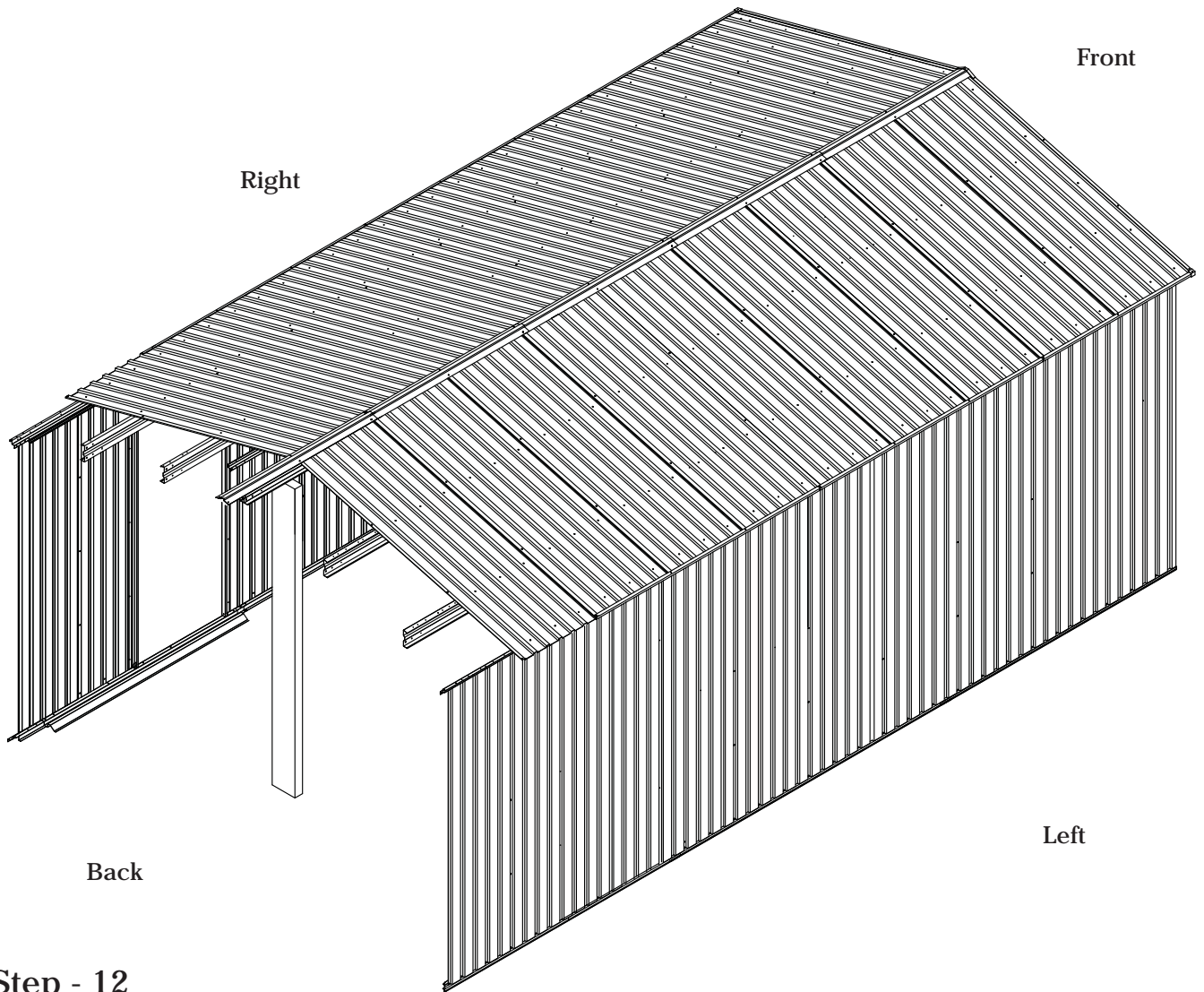


Step - 10



Step - 11





Step - 12

Come back to 12'x20' MetalGarage Extension Kit manual (PART-1) and follow the steps



U.S. Polymers, Inc.
1057 S. Vail Ave
Montebello, CA 90640,
United States of America

English

RD-3.0 | 2014-05-03